



MULTIOVEN 3-IN-1

MAC-25S

EN · Instruction manual

NO · Bruksanvisning

SE · Bruksanvisning

DK · Betjeningsvejledning

FI · Käyttöohje

DE · Anleitung

READ ALL INSTRUCTIONS BEFORE USING

EN

LES ALLE ANVISNINGER FØR BRUK

NO

LÄS IGENOM ALLA INSTRUKTIONER INNAN PRODUKTEN ANVÄNDS

SE

LÆS ALLE VEJLEDNINGER INDEN BRUG

DK

LUE OHJEET HUOLELLISESTI ENNEN KÄYTTÖÄ

FI

LESEN SIE DIE ANLEITUNG VOR DEM GEBRAUCH GRÜNDLICH DURCH

DE

EN

CONTENTS

- 6 PRECAUTIONS TO AVOID POSSIBLE EXPOSURE TO EXCESSIVE MICROWAVE ENERGY
- 6 IMPORTANT SAFETY INSTRUCTIONS
- 12 PRODUCT OVERVIEW
- 13 ASSEMBLY
- 14 INSTALLATION
- 15 OPERATION
- 22 CLEANING
- 22 UTENSILS
- 23 MATERIALS YOU CAN USE IN THE MICROWAVE OVEN
- 24 MATERIALS TO BE AVOIDED IN THE MICROWAVE OVEN
- 25 TROUBLE SHOOTING
- 26 GUARANTEE
- 27 PRODUCT SPECIFICATIONS
- 27 SUPPORT AND SPARE PARTS
- 27 RECYCLABILITY

EN

PRECAUTIONS TO AVOID POSSIBLE EXPOSURE TO EXCESSIVE MICROWAVE ENERGY

- Do not attempt to operate this oven with the door open since this can result in harmful exposure to microwave energy. It is important not to break or tamper with the safety interlocks.
- Do not place any object between the oven front face and the door or allow soil or cleaner residue to accumulate on sealing surfaces.

WARNING: If the door or door seals are damaged, the oven must not be operated until it has been repaired by a competent person.

ADDENDUM

- If the apparatus is not maintained in a good state of cleanliness, its surface could be degraded and affect the lifespan of the apparatus and lead to a dangerous situation.

IMPORTANT SAFETY INSTRUCTIONS

- This appliance can be used by children aged from 8 years and above and persons with reduced physical, sensory or mental capabilities or lack of experience and knowledge if they have been given supervision or instruction concerning use of the appliance in a safe way and understand the

hazards involved. Children shall not play with the appliance. Cleaning and user maintenance shall not be made by children without supervision.

- Keep the appliance and its cord out of reach of children less than 8 years.
- If the supply cord is damaged, it must be replaced by the manufacturer, its service agent or similarly qualified persons in order to avoid a hazard.
- **WARNING:** Ensure that the appliance is switched off before replacing the lamp to avoid the possibility of electric shock.
- **WARNING:** It is hazardous for anyone other than a competent person to carry out any service or repair operation that involves the removal of a cover which gives protection against exposure to microwave energy.
- **WARNING:** Liquids and other foods must not be heated in sealed containers since they are liable to explode.
- When heating food in plastic or paper containers, keep an eye on the oven due to the possibility of ignition.
- Only use utensils that are suitable for use in microwave ovens.

EN

EN

- If smoke is emitted, switch off or unplug the appliance and keep the door closed in order to stifle any flames.
- Microwave heating of beverages can result in delayed eruptive boiling, therefore care must be taken when handling the container.
- The contents of feeding bottles and baby food jars shall be stirred or shaken and the temperature checked before consumption, in order to avoid burns.
- Eggs in their shell and whole hard-boiled eggs should not be heated in microwave ovens since they may explode, even after microwave heating has ended.
- The oven should be cleaned regularly and any food deposits removed.
- Failure to maintain the oven in a clean condition could lead to deterioration of the surface that could adversely affect the life of the appliance and possibly result in a hazardous situation.
- The appliance must not be installed behind a decorative door in order to avoid overheating. (This is not applicable for appliances with decorative door.)

- Only use the temperature probe recommended for this oven. (for ovens provided with a facility to use a temperature-sensing probe.)
- The microwave oven shall not be placed in a cabinet unless it has been tested in a cabinet.
- The microwave oven must be operated with the decorative door open. (for ovens with a decorative door.)
- This appliance is intended to be used in household and similar applications such as:
 - Staff kitchen areas in shops, offices and other working environments;
 - By clients in hotels, motels and other residential type environments;
 - Farm houses;
 - Bed and breakfast type environments.
- The microwave oven is intended for heating food and beverages. Drying of food or clothing and heating of warming pads, slippers, sponges, damp cloth and similar may lead to risk of injury, ignition or fire.
- Metallic containers for food and beverages are not allowed during microwave cooking.
- The appliance shall not be cleaned with a steam cleaner.

EN

EN

- The appliance is intended to be used freestanding.
- The appliance is intended for indoor use.
- The rear surface of appliances shall be placed against a wall.
- The appliances are not intended to be operated by means of an external timer or separate remote-control system.
- The temperature of accessible surfaces may be high when the appliance is operating.
- **WARNING:** When the appliance is operated in the combination mode, children should only use the oven under adult supervision due to the temperatures generated.

TO REDUCE THE RISK OF INJURY TO PERSONS GROUNDING INSTALLATION

DANGER! Electric Shock Hazard:

Touching some of the internal components can cause serious personal injury or death. Do not disassemble this appliance.

WARNING! Electric Shock Hazard:

Improper use of the grounding can result in electric shock. Do not plug into an outlet until appliance is properly installed and grounded.

This appliance must be grounded. In the event of an electrical short circuit, grounding reduces the risk of electric shock by providing an escape wire for the electric current.

This appliance is equipped with a cord having a grounding wire with a grounding plug. The plug must be plugged into an outlet that is properly installed and grounded.

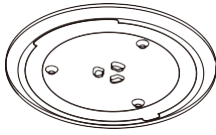
EN

Consult a qualified electrician or serviceman if the grounding instructions are not completely understood or if doubt exists as to whether the appliance is properly grounded.

If it is necessary to use an extension cord, use only a 3-wire extension cord.

- A short power-supply cord is provided to reduce the risks resulting from becoming entangled in or tripping over a longer cord.
- If a long cord set or extension cord is used:
 - The marked electrical rating of the cord set or extension cord should be at least as great as the electrical rating of the appliance.
 - The extension cord must be a grounding-type 3-wire cord.
 - The long cord should be arranged so that it will not drape over the countertop or tabletop where it can be pulled on by children or tripped over unintentionally.

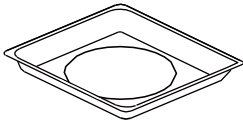
PRODUCT OVERVIEW



Glass Tray



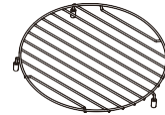
Turntable Ring Assembly



Airfry tray: Can not be used in microwave and combination, it should be used for airfrying

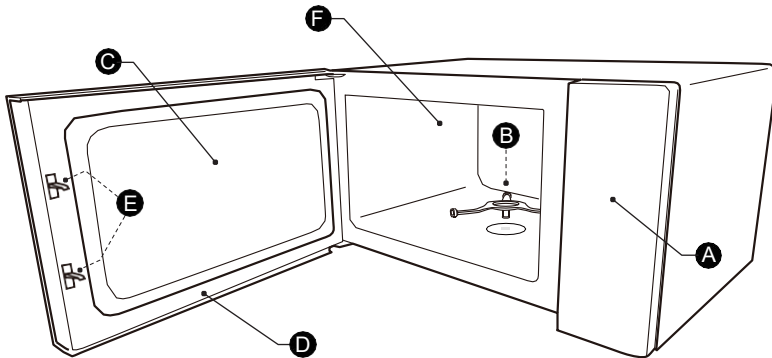


Airfry basket: Can not be used in microwave and combination, it should be used for airfrying. If the foot pad falls off, please reinstall.



Grill Rack: Can not be used in microwave function

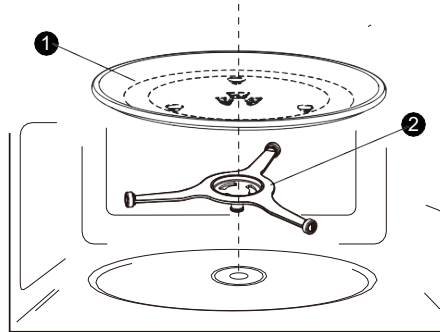
EN



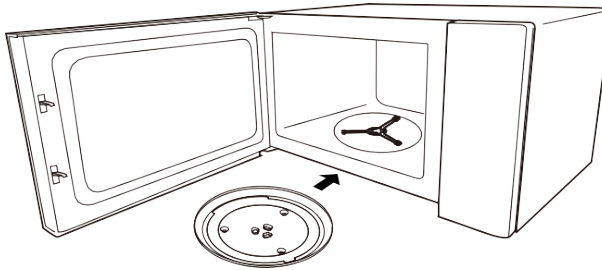
- A Control panel
- B Turntable Ring Assembly
- C Observation window
- D Door assembly
- E Safety interlock system
- F Cooking compartment

ASSEMBLY

For new installations, make sure all packaging and tape has been removed. Before using the appliance to prepare food for the first time, you will need to put the turntable in place correctly and clean the cooking compartment and accessories.



1. Glass Tray
2. Turntable Ring Assembly



Note:

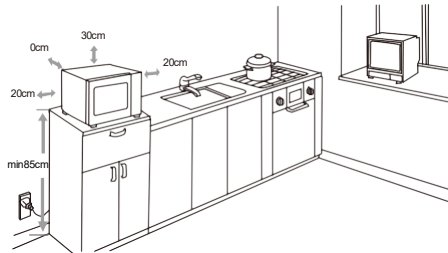
- Never use the appliance without the turntable. Make sure that it is properly engaged. The turntable can turn clockwise or anti-clockwise.
- Never place the glass tray upside down. The glass tray should never be restricted.
- Both glass tray and turntable ring assembly must always be used during cooking.
- All food and containers of food must always be placed on the glass tray for cooking.
- Never restrict the movement of the turntable.
- If glass tray or turntable ring assembly cracks or breaks, contact your nearest authorized service center.

INSTALLATION

Remove all packing material and accessories. Examine the oven for any damage such as dents or broken door. Do not install if oven is damaged.

Cabinet: Remove any protective film found on the microwave oven cabinet surface. Do not remove the waveguide cover that is attached to the cooking compartment to protect the magnetron.

EN



- Select a level surface that provide enough open space for the intake and/or outlet vents.
- The minimum installation height is 85 cm.
- The rear surface of appliance shall be placed against a wall.
- Leave a minimum clearance of 30 cm above the oven, a minimum clearance of 20 cm is required between the oven and any adjacent walls.
- Do not remove the legs from the bottom of the oven.
- Blocking the intake and/or outlet openings can damage the oven.
- Place the oven as far away from radio and TV as possible. Operation of the microwave may cause interference to your radio or TV signals.
- Plug your oven into a standard household outlet. Make sure the voltage and frequency is the same as the voltage and frequency on the rating label.
- **WARNING:** Do not install the oven over a range cooktop or other heat producing appliances. If it is installed near or over any heat source the oven could be damaged and the warranty would be void.
- The accessible surface may be hot during operation.

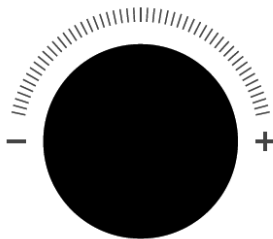


OPERATION

Display



EN



Setting the clock

1. Press "Clock/Timer" once and then "00:00" will display.
2. Turn the knob to set the hour figures, it is within 0-23.
3. Press "Clock/Timer" or "START/+30SEC." to confirm.
4. Turn the knob to set the minute figures, it is within 0-59.
5. Press "Clock/Timer" or "START/+30SEC." , the clock is set.

Notes:

- If the clock setting is not be within 0:00~23:59, it is invalid.
- To reset the clock, please repeat step 1 to step 5.

Setting the timer

1. Press "Clock/Timer" twice and then "00:00" will display.
2. Turn the knob to set the desired time. The maximum time value is "95:00".
3. Press "START/+30SEC" to confirm. The timer starts counting down.

Note: No other operation cannot be set while the timer is counting down.

Microwave cooking

1. Press "Microwave" and then "P100" will display.
2. Press "Microwave" repeatedly or turn the knob right to set the power level. The 11 power levels are available.
3. Press "START/+30SEC." to confirm.
4. Turn the knob to set the desired time. The maximum time value is "95:00".
5. Press "START/+30SEC" to start cooking.

EN

Power Levels Chart

Level	10	9	8	7	6	5	4	3	2	1	0
Power	100%	90%	80%	70%	60%	50%	40%	30%	20%	10%	0%
Display	P100	P90	P80	P70	P60	P50	P40	P30	P20	P10	P0

Quick start

1. In standby mode, press "START/+30SEC." to cook with 100% power level for 30 seconds. Each press on the same key can increase 30 seconds. The maximum cooking time is "95:00".
2. In standby mode, turn the knob left to choose cooking time directly then press "START/+30SEC." to cook with 100% microwave power. The maximum time value is "95:00". This way quick start can be set as one of the multi-stage.

Combination cooking

1. Press "Combi." once and then "C-1" will display.
2. Turn the knob to set the cooking time. The maximum time value is "95:00".
3. Press "START/+30SEC." to start cooking.

Convection cooking with preheat function: Convection & airfry

1. In standby mode, press "Airfry" or "Convection", the oven will display "140C".
2. Turn the knob or press "Airfry" or "Convection" repeatedly to set the temperature, "140-230°C" are available.
3. Press "START/+30SEC." to confirm the temperature.

4. Press "START/+30SEC." to start preheating.
5. When the preheat time arrives, put food into oven, then close the door.
6. Turn the knob to set the cooking time. The maximum time value is "95:00".
7. Press "START/+30SEC." to start cooking.

Note: Each press "START/+30SEC." can increase 30 seconds during cooking.

Convection cooking without preheat function: Convection & airfry

1. In standby mode, press "Air Fry" or "Convection" once, the oven will display "140C".
2. Turn the knob or press "Air Fry" or "Convection" repeatedly to set the temperature, "140-230°C" are available.
3. Press "START/+30SEC " to confirm.
4. Turn the knob to set the cooking time. The maximum time value is "95:00".
5. Press " CONFIRM /START/+30SEC" to start cooking.

Note: Each press "START/+30SEC" can increase 30 seconds during cooking.

Multi-stage cooking

1. In standby mode, press "Defrost" repeatedly or turn the knob to choose the defrost menu. For example, choosing the "DEF1".
2. Press "START/+30SEC" to confirm.
3. Turn the knob to set the weight of the menu. The range of weight is 100 to 2000g.
4. Press "Microwave", "P100" displays, turn the knob or press "Microwave" repeatedly to choose the power level.
5. Press "START/+30SEC" to confirm.
6. Turn the knob to set the cooking time. The maximum time value is "95:00".
7. Press "START/+30SEC" to start cooking.

Note 1: Kitchen timer, auto menu, keep warm and preheat cannot be one of the stages in it.

Note 2: 2 stages of cooking can be set. If one of the stages is defrosting, it must be the first stage.

Popcorn

1. In standby mode, press "Popcorn" once.
2. Press "Popcorn" repeatedly or turn the knob to select the weight of popcorn you want. "50g" and "100g" are available.
3. Press "START/+30SEC" to start cooking.

Auto menu

1. In standby mode, turn the knob right, "A01" will display.
2. Turn the knob to select the auto menu. A01~A09 are available.
3. Press "START/+30SEC." to confirm.
4. Turn the knob to set the weight of the menu.
5. Press "START/+30SEC." to start cooking.

Note: For menu A03 and A09, the buzzer will sound to remind you to turn the food during cooking. If no operation, the oven will continue.

EN

Menu	Weight	Display	Power
A01 Auto Reheat	150 g	150 g	P100
	250 g	250 g	
	350 g	350 g	
	450 g	450 g	
	600 g	600 g	
A02 Potato	1	1	P100
	2	2	
	3	3	
A03 Meat	150 g	150 g	P80
	300 g	300 g	
	450 g	450 g	
	600 g	600 g	
A04 Vegetable	150 g	150 g	P100
	350 g	350 g	
	500 g	500 g	
A05 Pasta	50 g (with cold water 450 g)	50 g	P80
	100 g (with cold water 800 g)	100 g	
	150 g (with cold water 1200 g)	150 g	

A06 Fish	150 g	150 g	P80
	250 g	250 g	
	350 g	350 g	
	450 g	450 g	
	650 g	650 g	
A07 Soup	200 ml	200	P100
	400 ml	400	
	600 ml	600	
A08 Pizza	200 g	200 g	Con. 180°C
	300 g	300 g	
	400 g	400 g	
A09 Chicken	500 g	500 g	Con. 200°C
	750 g	750 g	
	1000 g	1000 g	
	1200 g	1200 g	

EN

Air fry presets

1. Press "Air Fry Presets" and then "AF01" will display.
2. Press "Air Fry Presets" repeatedly or turn the knob to choose the menu. AF01~AF14 are available.
3. Press "START/+30SEC." to start cooking.

EN

Menu	Weight	Display	Temperature
Frozen French fries	450 g	AF01	Con. 220°C
Fish and Chips	400 g	AF02	Con. 220°C
Frozen Croquettes	400 g	AF03	Con. 210°C
Frozen Calamary	400 g	AF04	Con. 210°C
Frozen Onion Rings	350 g	AF05	Con. 210°C
Frozen Nuggets	500 g	AF06	Con. 210°C
Schnitzel	450 g	AF07	Con. 200°C
Shrimps	200 g	AF08	Con. 210°C
Vegetable	300 g	AF09	Con. 220°C
Spring Rolls	400 g	AF010	Con. 210°C
Frozen Breaded Prawns	240 g	AF011	Con. 210°C
Frozen Potato Wedges	400 g	AF012	Con. 220°C
Chicken Wings	550 g	AF013	Con. 210°C
Fresh Fish Fillets	500 g	AF014	Con. 230°C

Note: For menu AF02, AF04, AF05, AF06, AF07, AF10, AF11, the buzzer will sound to remind you to turn the food over during cooking. If no operation, the oven will continue working.

Defrost by weight

1. Press "Defrost" once and then the screen will display "dEF1".
2. Press "START/+30SEC." to confirm.
3. Turn the knob to set the weight of the menu. The range of weight is 100 to 2000g.
4. Press "START/+30SEC." to start cooking.

Note: The buzzer will sound to remind you to turn the food over during defrosting. If no operation, the oven will continue.

Defrost by Time

1. Press "Defrost" twice and then "dEF2" displays.
2. Press "CONFIRM /START/+30SEC" to confirm.
3. Turn the knob to set the time. The maximum time is 95 minutes.
4. Press "START/+30SEC" to start cooking.

Notes:

- When half of the time has passed, the buzzer will sound to remind you to turn the food over. If no operation, the oven will continue working.
- The defrost power is P30 and it cannot be changed.

Keep warm

1. In standby mode, press "Keep Warm", "140C" will display. The temperature is default, it cannot be changed.
2. Turn the knob to set the time. The maximum time value is 95 minutes.
3. Press "START/+30SEC." to start cooking.

Eco

- To enter ECO mode: In standby mode, press "STOP/CLEAR/eco" once. The screen will turn off.
- To cancel ECO mode: In ECO mode, press any key, open the door or turn the knob will cancel it.

Cooling

At the end of cooking, if the temperature of the oven is too high inside, the oven light and cooling fan will keep working, the screen will display "COOL". The oven will return to standby mode when you press "Stop/Clear/Eco" or when the temperature is less than 140°C.

Silent mode

- To activate the silent mode: In standby mode, press "Clock/Timer/On/Off" for 2-3 seconds, "oFF" displays.
- To deactivate the silent mode: In silent mode, press "Clock/Timer/On/Off" for 2-3 seconds, "on" displays.

EN

EN

CLEANING

- Be sure to unplug the appliance from the power supply.
- Clean the cooking department of the oven after using with a slightly damp cloth.
- Clean the accessories in the usual way in soapy water.
- The door frame and seal and neighboring parts must be cleaned carefully with a damp cloth when they are dirty.
- Do not use harsh abrasive cleaners or sharp metal scrapers to clean the oven door glass since they can scratch the surface, which may result in shattering of the glass.

TIP: For easier cleaning of the walls that the food cooked can touch: Place half a lemon in a bowl, add 300ml water and heat on 100% microwave power for 10 minutes. Wipe the oven clean using a soft, dry cloth.

UTENSILS

CAUTION! Personal Injury Hazard:

- It is hazardous for anyone other than a competent person to carry out any service or repair operation that involves the removal of a cover which gives protection against exposure to microwave energy.
- See the instructions on "Materials you can use in microwave oven or to be avoided in microwave oven." There may be certain non-metallic utensils that are not safe to use for microwaving. If in doubt, you can test the utensil in question following the procedure below.

Utensil Test:

- Fill a microwave-safe container with 1 cup of cold water (250ml) along with the utensil in question.
- Cook on maximum power for 1 minute.
- Carefully feel the utensil. If the empty utensil is warm, do not use it for microwave cooking.

MATERIALS YOU CAN USE IN THE MICROWAVE OVEN

Utensils	Remarks
Browning dish	Follow manufacturer's instructions. The bottom of browning dish must be at least 5mm above the turntable. Incorrect usage may cause the turntable to break.
Dinnerware	Microwave-safe only. Follow manufacturer's instructions. Do not use cracked or chipped dishes.
Glass jar	Always remove lid. Use only to heat food until just warm. Most glass jars are not heat resistant and may break.
Glassware	Heat-resistant oven glassware only. Make sure there is no metallic trim. Do not use cracked or chipped dishes.
Oven cooking bags	Follow manufacturer's instructions. Do not close with metal tie. Make slits to allow steam to escape.
Paper plates and cups	Use for short-term cooking/warming only. Do not leave oven unattended while cooking.
Paper towels	Use to cover food for reheating and absorbing fat. Use with supervision for a short-term cooking only.
Parchment paper	Use as a cover to prevent splattering or a wrap for steaming.
Plastic	Microwave-safe only. Follow the manufacturer's instructions. Should be labeled "Microwave Safe". Some plastic containers soften, as the food inside gets hot. "Boiling bags" and tightly closed plastic bags should be slit, pierced, or vented as directed by package.
Plastic wrap	Microwave-safe only. Use to cover food during cooking to retain moisture. Do not allow plastic wrap to touch food.
Thermometers	Microwave-safe only (meat and candy thermometers).
Wax paper	Use as a cover to prevent splattering and retain moisture.

EN

MATERIALS TO BE AVOIDED IN THE MICROWAVE OVEN

Utensils	Remarks
Aluminium tray	May cause arcing. Transfer food into microwave-safe dish.
Food carton with metal handle	May cause arcing. Transfer food into microwave-safe dish.
Metal or metal-trimmed utensils	Metal shields the food from microwave energy. Metal trim may cause arcing.
Metal twist ties	May cause arcing and could cause a fire in the oven.
Paper bags	May cause a fire in the oven.
Plastic foam	Plastic foam may melt or contaminate the liquid inside when exposed to high temperatures.
Wood	Wood will dry out when used in the microwave and may split or crack

EN

TROUBLE SHOOTING

Normal

Microwave oven interfering TV reception	Radio and TV reception may be interfered when microwave oven operating. It is similar to the interference of small electrical appliances, mixer, vacuum cleaner, and electric fan. It is normal.
Dim oven light	In low power microwave cooking, oven light may become dim. It is normal.
Steam accumulating on door, hot air out of vents	In cooking, steam may come out of food. Most will get out from vents. But some may accumulate on cool place like oven door. It is normal.
Oven started accidentally with no food in.	It is forbidden to run the unit without any food inside. It is very dangerous.

EN

Trouble	Possible Cause	Remedy
Oven cannot be started.	(1) Power cord is not plugged in tightly.	Unplug. Then plug again after 10 seconds.
	(2) Fuse blowing or circuit breaker works.	Replace fuse or reset circuit breaker (repaired by professional personnel of our company)
	(3) Trouble with outlet.	Test outlet with other electrical appliances.
Oven does not heat.	Door is not closed.	Close door well.



EN

GUARANTEE

Wilfa issues a 5 year guarantee on this product from the day of purchase is done. The guarantee covers production failure or defects that arise during the guarantee period. Your purchase receipt works as proof towards retailer if claiming your guarantee.

The guarantee is valid only for products that are bought and used in private households. The guarantee is not valid if the product is used commercially. The guarantee is not valid if the product is misused, used by negligence, if not following instructions given by Wilfa, if modified or if unauthorized repairation is done. The guarantee is also not valid for normal wear of the product, misuse, lack of maintenance, use of wrong electrical voltage or:

- Overloading of product
- Parts which are normally worn down
- Parts you can expect being replaced regularly (e.g. filter, battery etc.)

Instructions manual is also available at our website wilfa.com

PRODUCT SPECIFICATIONS

Rated Voltage:	220-240V~50Hz
Microwave Input:	1300-1400 W
Microwave Output:	850-900 W
Convection:	1400-1500 W

SUPPORT AND SPARE PARTS

For support please visit us at wilfa.com, and see our customer service/support page. Here you will find frequently asked questions, spare parts, tips and tricks and all our contact information.

EN

RECYCLABILITY



This marking indicates that this product should not be disposed with other household wastes throughout the EU. To prevent possible harm to the environment or human health from uncontrolled waste disposal, recycle it responsibly to promote the sustainable reuse of material resources. To return your used device, please use the return and collection systems or contact the retailer where the product was purchased. They can take this product for environmentally safe recycling free of charge.

NO

INNHOOLD

- 30 FORHOLDSREGLER FOR Å UNNGÅ OVERDREVEN
EKSPONERING AV MIKROBØLGER
- 30 VIKTIGE SIKKERHETSANVISNINGER
- 36 PRODUKTOVERSIKT
- 37 MONTERING
- 38 INSTALLASJON
- 39 BRUK
- 46 RENGJØRING
- 46 KJØKKENUTSTYR
- 47 MATERIALER SOM KAN BRUKES I MIKROBØLGE-
OVNEN
- 48 MATERIALER SOM SKAL UNNGÅS I
MIKROBØLGEOVNEN
- 49 FEILSØKING
- 50 GARANTI
- 51 PRODUKTSPEKIFIKASJONER
- 51 SUPPORT OG RESERVEDELER
- 51 GJENVINNING

NO

FORHOLDSREGLER FOR Å UNNGÅ OVERDREVEN EKSPONERING AV MIKROBØLGER

- Denne ovnen skal ikke brukes med åpen dør ettersom dette kan føre til skadelig eksponering av mikrobølger. Det er viktig å ikke bryte opp eller tukle med sikkerhetsanordningene.
- Ikke plasser gjenstander mellom ovnen og døren, og unngå at smuss eller rengjøringsmiddel akkumuleres på tetningsflatene.

NO

ADVARSEL: Hvis døren eller dørlister skades, skal ikke ovnen brukes før dette er reparert av en kompetent person.

TILLEGG

- Hvis apparatet ikke rengjøres regelmessig kan overflaten forringes, påvirke levetiden og føre til farlige situasjoner.

VIKTIGE SIKKERHETSANVISNINGER

- Produktet kan brukes av barn fra 8 år og oppover, samt personer med nedsatte fysiske, sansemessige eller mentale evner, eller mangel på erfaring og kunnskap, hvis de er under tilsyn eller har fått anvisninger om sikker bruk av produktet og er klar over farene forbundet med bruken. Ikke la barn leke med apparatet. Rengjøring og vedlikehold skal ikke utføres av barn uten tilsyn.

- Oppbevar apparatet og ledningen utilgjengelig for barn under 8 år.
- Hvis strømledningen er ødelagt, må den skiftes av produsenten, en servicetekniker eller lignende kvalifisert person for å unngå farlige situasjoner.
- ADVARSEL: Slå av apparatet før du skifter lampen for å unngå fare for elektrisk støt.
- ADVARSEL: Det er farlig å utføre service eller reparasjoner som involverer fjerning av deksel som beskytter mot eksponering av mikrobølger av andre enn kompetente personer.
- ADVARSEL: Væske og annen mat skal ikke varmes opp i tette beholdere ettersom de kan eksplodere.
- Hold et øye med ovnen når du varmer opp mat i plast- eller papirbeholdere for eventuell brannfare.
- Bruk kun kjøkkenutstyr som er egnet for mikrobølgeovner.
- Hvis det avgis røyk, må du slå av eller dra ut støpselet fra stikkontakten og holde døren lukket for å kvele eventuelt branntilløp.
- Oppvarming av drikkevarer i mikrobølgeovn kan føre til forsinket koking. Vær derfor forsiktig ved håndtering av beholderen.

NO

NO

- Innholdet i tåteflasker og babyglass må røres eller ristes og temperaturen må kontrolleres før konsumering for å unngå brannskader.
- Egg med skallet på og hele, hardkokte egg skal ikke varmes opp i mikrobølgeovnen ettersom de kan eksplodere, selv etter at oppvarmingen har stanset.
- Ovnens bør jevnlig rengjøres og matrester fjernes.
- Manglende rengjøring av ovnen kan føre til forringelse av overflaten, gi ovnen kortere levetid og føre til farlige situasjoner.
- Apparatet må ikke installeres bak en kjøkkenfront, da dette kan føre til overoppheting. (Dette gjelder ikke for apparater med kjøkkenfront.)
- Bruk kun den anbefalte temperatursonden for denne ovnen (for ovner som er utstyrt med mulighet for å bruke en temperatursonde).
- Mikrobølgeovnen skal ikke plasseres i et skap, med mindre den er testet for bruk i skap.
- Mikrobølgeovnen må brukes med kjøkkenfronten åpen (for ovner med kjøkkenfront).
- Dette produktet er bare beregnet for bruk i private husholdninger og lignende bruksområder som:

- personalkjøkkener i butikker, på kontorer og andre arbeidsplasser
 - av kunder på hoteller, pensjonater og i andre bomiljøer
 - gårdshus
 - bed and breakfast-steder
- Mikrobølgeovnen er ment for oppvarming av mat og drikkevarer. Tørking av mat, klær og oppvarming av vameputer, tøfler, svamper, fuktige klær og lignende kan føre til skade, antenning eller brann.
 - Det er ikke tillatt å bruke metallbeholdere for mat og drikke under tilberedning i mikrobølgeovn.
 - Apparatet må ikke rengjøres med dampvasker.
 - Apparatet er ment for frittstående bruk.
 - Apparatet er ment for innendørs bruk.
 - Baksiden av apparatet skal plasseres mot en vegg.
 - Apparatet skal ikke kobles til timere eller andre fjernstyringssystemer.
 - Overflatetemperaturen kan være høy når apparatet er i drift.
 - **ADVARSEL:** Når apparatet brukes i kombinasjonsmodus, må barn kun bruke ovnen under tilsyn av en voksen på grunn av temperaturene som genereres.

NO

SLIK REDUSERER DU RISIKOEN FOR SKADER PÅ
PERSONER SOM JORDER INSTALLASJONEN

FARE! Fare for elektrisk støt:

Berøring av noen av de interne komponentene kan føre til alvorlig personskade eller dødsfall. Ikke demonter dette apparatet.

ADVARSEL! Fare for elektrisk støt:

Feil bruk av jording kan føre til elektrisk støt. Ikke sett støpselet i et strømuttak før apparatet er korrekt installert og jordet.

NO

Dette apparatet må jordes. I tilfelle kortslutning vil jordingen redusere risikoen for elektrisk støt via en sikkerhetsledning for elektrisk strøm.

Dette apparatet er utstyrt med en ledning med jordet ledning og jordet støpsel. Støpselet må settes inn i et strømuttak som er korrekt installert og jordet.

Spør en kvalifisert elektriker eller servicetekniker hvis du ikke forstår instruksjonene om jording eller hvis du er i tvil om apparatet er korrekt jordet.

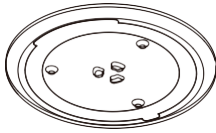
Hvis du må bruke en skjøteledning, skal du kun bruke en tretråds skjøteledning.

- Det medfølger en kort strømledning for å redusere risikoen for å vikle seg inn i eller snuble over en lengre ledning.

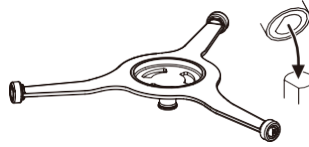
- Hvis du bruker en lang strømledning eller skjøteledning:
 - Den elektriske spenningen i strømledningen eller skjøteledningen bør være minst like stor som spenningen i apparatet.
 - Skjøteledningen må være en jordet ledning med tre ledere.
 - Den lange ledningen må arrangeres slik at den ikke henger over benken eller bordet, der barn kan trekke i den eller snuble over den ved et uhell.

NO

PRODUKTOVERSIKT

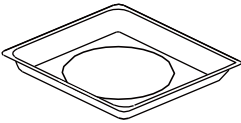


Glassplate



Dreieskivebrakett

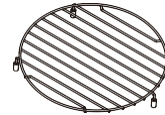
NO



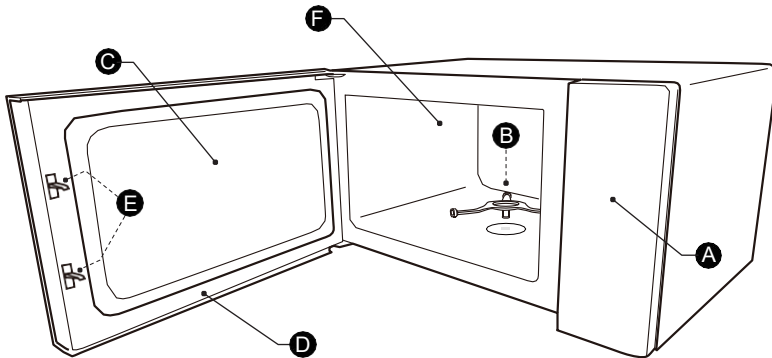
Luftfrityrform: Kan ikke brukes i mikrobølgeovn og kombiovn, skal kun brukes til luftfrityrsteking.



Luftfrityrkurv: Kan ikke brukes i mikrobølgeovn og kombiovn, skal kun brukes til luftfrityrsteking. Hvis fotbeskyttelsen faller av, må den monteres på nytt.



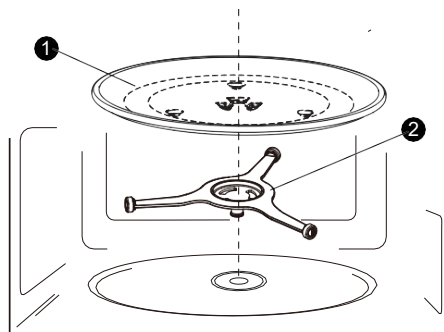
Grillrist: Kan ikke brukes i mikrobølgefunksjon.



- A Betjeningspanel
- B Dreieskivebrakett
- C Observasjonsvindu
- D Dørenhet
- E Sikkerhetssperresystem
- F Stekekammer

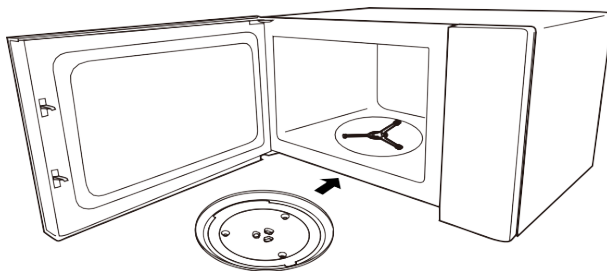
MONTERING

Før installasjon må du sørge for at all emballasje og tape er fjernet. Før du bruker apparatet til å tilberede mat for første gang, må du sette dreieskiven riktig på plass og rengjøre stekekammeret og tilbehøret.



1. Glassplate
2. Dreieskiveenhet

NO



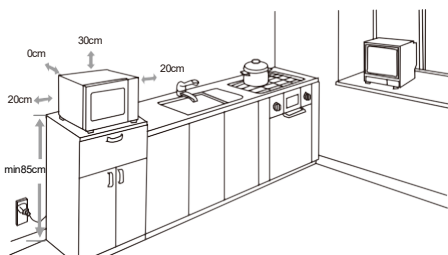
Merk:

- Bruk aldri apparatet uten dreieskiven. Pass på at den er ordentlig festet. Dreieskiven kan rotere med eller mot klokken.
- Plasser aldri glassplaten opp-ned. Du må aldri blokkere glassplaten.
- Både glassplaten og dreieskiven må alltid brukes under matlaging.
- Alle matvarer og matbeholdere må alltid plasseres på glassplaten ved tilberedning.
- Du må aldri hindre bevegelsene til dreieskiven.
- Kontakt nærmeste autoriserte servicesenter hvis glassplaten eller dreieskiven sprekker eller blir ødelagt.

INSTALLASJON

Fjern all emballasje og alt tilbehør. Undersøk ovnen for skader, f.eks. bulker eller skader på døren. Hvis ovnen er skadet, må den ikke installeres.

Kabinett: Fjern eventuell beskyttelsesfilm på overflaten av mikrobølgeovnen. Ikke fjern bølgelederdekselet som er festet i stekekammeret for å beskytte magnetronen.



NO

- Velg en jevn overflate som gir stor nok plass rundt inntaks- og/eller utløpsventilene.
- Minste installasjonshøyde er 85 cm.
- Baksiden av apparatet skal plasseres mot en vegg.
- Det må være minst 30 cm klaring over ovnen og minst 20 cm klaring mellom ovnen og de tilstøtende veggene.
- Støttebein under ovnen skal ikke fjernes.
- Blokkering av inntak og/eller uttak kan skade ovnen.
- Plasser ovnen så langt unna radioer og TV-apparater som mulig. Bruk av mikrobølgeovn kan forstyrre radio- eller TV-signalene.
- Sett støpselet i en vanlig stikkontakt. Kontroller at spenningen og frekvensen er den samme som spenningen og frekvensen på typeskiltet.
- **ADVARSEL:** Ikke installer ovnen over en komfyr eller andre varmeproduserende apparater. Hvis den installeres nær eller over en varmekilde, kan ovnen bli skadet og garantien bli ugyldig.
- Ovnens overflater kan bli varme under bruk.

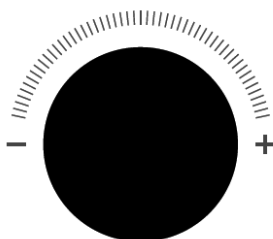


BRUK

Display



NO

**Stille inn klokken**

1. Trykk på "Clock/Timer" én gang slik at "00:00" vises.
2. Drei på knotten for å stille inn timetallet mellom 0–23.
3. Trykk på "Clock/Timer" eller "START/+30SEC." for å bekrefte.
4. Drei på knotten for å stille inn minuttallet mellom 0–59.
5. Trykk på "Clock/Timer" eller "START/+30SEC.", og klokken er innstilt.

Merknader:

- Hvis klokkeinnstillingen ikke er innenfor 0:00~23:59, er den ugyldig.
- Gjenta trinn 1 til 5 for å stille inn klokken på nytt.

Innstille timer

1. Trykk på "Clock/Timer" to ganger slik at "00:00" vises.
2. Drei på knotten for å stille inn ønsket tid. Maksimal tidsverdi er "95:00".
3. Trykk på "START/+30SEC" for å bekrefte. Timeren begynner å telle ned.

Merk: Ingen andre operasjoner kan stilles inn mens tidsuret teller ned.

Tilberedning i mikrobølgeovn

1. Trykk på "Microwave" slik at "P100" vises.
2. Trykk på "Microwave" gjentatte ganger eller drei knotten mot høyre for å stille inn effektnivået. 11 effekttrinn er tilgjengelige.
3. Trykk på "START/+30SEC." for å bekrefte.
4. Drei på knotten for å stille inn ønsket tid. Maksimal tidsverdi er "95:00".
5. Trykk på "START/+30SEC" for å starte tilberedningen.

NO

Oversikt over effektnivå

Nivå	10	9	8	7	6	5	4	3	2	1	0
Effekt	100 %	90 %	80 %	70 %	60 %	50 %	40 %	30 %	20 %	10 %	0 %
Display	P100	P90	P80	P70	P60	P50	P40	P30	P20	P10	P0

Hurtigstart

1. I standby-modus trykker du på "START/+30SEC." for å steke med 100 % effektnivå i 30 sekunder. Hvert trykk på samme tast øker tiden med 30 sekunder. Maksimal tilberedningstid er "95:00".
2. I standby-modus dreier du knotten til venstre for å velge tilberedningstid direkte, og trykker deretter på "START/+30SEC." for å tilberede med 100 % mikrobølgeeffekt. Maksimal tidsverdi er "95:00". På denne måten kan hurtigstart angis som et av Multi Stage-trinnene.

Kombinasjonstilberedning

1. Trykk på "Combi." én gang slik at "C-1" vises.
2. Drei på knotten for å stille inn tilberedningstiden. Maksimal tidsverdi er "95:00".
3. Trykk på "START/+30SEC." for å starte tilberedningen.

Konveksjonstilberedning med forvarmingsfunksjon: Konveksjon og luftfrityr

1. I standby-modus trykker du på "Airfry" eller "Convection". Ovn viser "140C".
2. Drei på knotten eller trykk gjentatte ganger på "Airfry" eller "Convection" for å stille inn temperaturen. "140–230 °C" er tilgjengelig.

3. Trykk på "START/+30SEC." for å bekrefte temperaturen.
4. Trykk på "START/+30SEC." for å starte forvarmingen.
5. Når forvarmingstiden er nådd, setter du maten i ovnen og lukker døren.
6. Drei på knotten for å stille inn tilberedningstiden. Maksimal tidsverdi er "95:00".
7. Trykk på "START/+30SEC." for å starte tilberedningen.

Merk: Hvert trykk på "START/+30SEC." øker tiden med 30 sekunder under tilberedning.

Konveksjonstilberedning uten forvarmingsfunksjon: Konveksjon og luftfrityr

1. I standby-modus trykker du på "Air Fry" eller "Convection" én gang. Ovnen viser "140C".
2. Drei på knotten eller trykk gjentatte ganger på "Air Fry" eller "Convection" for å stille inn temperaturen. "140–230 °C" er tilgjengelig.
3. Trykk på "START/+30SEC " for å bekrefte.
4. Drei på knotten for å stille inn tilberedningstiden. Maksimal tidsverdi er "95:00".
5. Trykk på "CONFIRM/START/+30SEC" for å starte matlagingen.

Merk: Hvert trykk på "START/+30SEC" øker tiden med 30 sekunder under tilberedning.

Multi-Stage-tilberedning

1. I standby-modus trykker du flere ganger på "Defrost" (Tine) eller dreier på knotten for å velge tningsmenyen. For eksempel ved å velge "dEF1".
2. Trykk på "START/+30SEC" for å bekrefte.
3. Drei på knotten for å stille inn vekten for menyen. Vektområdet er fra 100 g til 2000 g.
4. Trykk på "Microwave" slik at "P100" vises. Vri på knotten eller trykk på "Microwave" gjentatte ganger for å velge effektnivå.
5. Trykk på "START/+30SEC" for å bekrefte.
6. Drei på knotten for å stille inn tilberedningstiden. Maksimal tidsverdi er "95:00".
7. Trykk på "START/+30SEC" for å starte tilberedningen.

Merknad 1: Kjøkkentimer, automeny, hold varm og forvarming kan ikke være et av trinnene.

Merknad 2: To tilberedningstrinn kan stilles inn. Hvis et av trinnene er tining, må det være det første trinnet.



NO

Popkorn

1. I standby-modus trykker du på "Popcorn" én gang.
2. Trykk på "Popcorn" gjentatte ganger eller drei på knotten for å velge ønsket popkornvekt. "50g" og "100g" er tilgjengelig.
3. Trykk på "START/+30SEC" for å starte tilberedningen.

Auto-menyen

1. I standby-modus dreier du knotten mot høyre, og "A01" vises.
2. Drei på knotten for å velge automenyen. A01~A09 er tilgjengelig.
3. Trykk på "START/+30SEC." for å bekrefte.
4. Drei på knotten for å stille inn vekten for menyen.
5. Trykk på "START/+30SEC." for å starte tilberedningen.

Merk: I meny A03 og A09 vil summeren avgi en lyd for å minne deg på å snu maten under tilberedningen. Hvis du ikke gjør noe, fortsetter ovnen.

NO

Meny	Vekt	Display	Effekt
A01 Automatisk gjenopp- varming	150 g	150 g	P100
	250 g	250 g	
	350 g	350 g	
	450 g	450 g	
	600 g	600 g	
A02 Poteter	1	1	P100
	2	2	
	3	3	
A03 Kjøtt	150 g	150 g	P80
	300 g	300 g	
	450 g	450 g	
	600 g	600 g	
A04 Grønnsaker	150 g	150 g	P100
	350 g	350 g	
	500 g	500 g	

A05 Pasta	50 g (med kaldt vann 450 g)	50 g	P80
	100 g (med kaldt vann 800 g)	100 g	
	150 g (med kaldt vann 1200 g)	150 g	
A06 Fisk	150 g	150 g	P80
	250 g	250 g	
	350 g	350 g	
	450 g	450 g	
	650 g	650 g	
A07 Suppe	200 ml	200	P100
	400 ml	400	
	600 ml	600	
A08 Pizza	200 g	200 g	Kon. 180 °C
	300 g	300 g	
	400 g	400 g	
A09 Kylling	500 g	500 g	Kon. 200 °C
	750 g	750 g	
	1000 g	1000 g	
	1200 g	1200 g	

NO

Forhåndsinnstillinger for luftfrityr

1. Trykk på "Air Fry Presets" slik at "AF01" vises.
2. Trykk flere ganger på "Air Fry Presets" eller drei på knotten for å velge menyen. AF01~AF14 er tilgjengelig.
3. Trykk på "START/+30SEC." for å starte tilberedningen.

Meny	Vekt	Display	Temperatur
Frosne pommefrites	450 g	AF01	Kon. 220 °C
Fisk og chips	400 g	AF02	Kon. 220 °C
Frosne krokerter	400 g	AF03	Kon. 210 °C
Frossen blekksprut	400 g	AF04	Kon. 210 °C
Frosne løkringer	350 g	AF05	Kon. 210 °C
Frosne nuggets	500 g	AF06	Kon. 210 °C
Schnitzel	450 g	AF07	Kon. 200 °C
Reker	200 g	AF08	Kon. 210 °C
Grønnsaker	300 g	AF09	Kon. 220 °C
Vårruller	400 g	AF010	Kon. 210 °C
Frosne panerte reker	240 g	AF011	Kon. 210 °C
Frosne potetbåter	400 g	AF012	Kon. 220 °C
Kyllingvinger	550 g	AF013	Kon. 210 °C
Fersk fiskefilet	500 g	AF014	Kon. 230 °C

NO

Merk: I menyene AF02, AF04, AF05, AF06, AF07, AF10 og AF11 vil summeren avgi en lyd for å minne deg på å snu maten under tilberedningen. Hvis du ikke gjør noe, fortsetter ovnen å gå.

Tining etter vekt

1. Trykk på "Defrost" én gang slik at displayet viser "dEF1".
2. Trykk på "START/+30SEC." for å bekrefte.
3. Drei på knotten for å stille inn vekten for menyen. Vektområdet er fra 100 g til 2000 g.
4. Trykk på "START/+30SEC." for å starte tilberedningen.

Merk: Summeren vil avgi en lyd for å minne deg på å snu maten under tining. Hvis du ikke gjør noe, fortsetter ovnen.

Tining etter tid

1. Trykk på "Defrost" to ganger slik at displayet viser "dEF2".
2. Trykk på "CONFIRM/START/+30SEC" for å bekrefte.
3. Drei på knotten for å stille inn tiden. Maksimal tid er 95 minutter.
4. Trykk på "START/+30SEC" for å starte tilberedningen.

Merknader:

- Når halyparten av tiden er gått, høres et lydsignal som minner deg på å snu maten. Hvis du ikke gjør noe, fortsetter ovnen å gå.
- Tiningseffekten er P30 og kan ikke endres.

Holde varm

1. I standby-modus trykker du på "Keep Warm". Ovnens viser "140C". Temperaturen er innstilt som standard og kan ikke endres.
2. Drei på knotten for å stille inn tiden. Maksimal tidsverdi er 95 minutter.
3. Trykk på "START/+30SEC." for å starte tilberedningen.

Øko

- Aktivere ECO-modus: I standby-modus trykker du på "STOP/CLEAR/eco" én gang. Skjermen slås av.
- Avbryte ECO-modus: Du kan avbryte ECO-modus ved å trykke på en hvilken som helst knapp, åpne døren eller vri på knotten.

Avkjøling

Hvis temperaturen i ovnen er for høy ved slutten av tilberedningen, vil ovnslyset og kjøleviften fortsette å gå og skjermen vil vise "COOL". Ovnens går tilbake til standby-modus når du trykker på "Stop/Clear/Eco" eller når temperaturen er under 140 °C.

Stillemodus

- Aktivere stillemodus: I standby-modus trykker du på "Clock/Timer/On/Off" i 2–3 sekunder til "OFF" vises.
- Deaktivere stillemodus: I stillemodus trykker du på "Clock/Timer/On/Off" i 2–3 sekunder til "ON" vises.



NO

RENGJØRING

- Trekk alltid ut støpslet fra stikkontakten når du skal rengjøre apparatet.
- Rengjør stekekammeret etter bruk med en lett fuktet klut.
- Rengjør tilbehør på vanlig måte i såpevann.
- Dørrammen og tetningslistene og tilstøtende deler må rengjøres nøye med en fuktig klut når de er tilsmusset.
- Ikke bruk sterke slipende rengjøringsmidler eller skarpe metallskrapere til å rengjøre glasset i ovnsdøren. Dette kan ripe opp overflaten og føre til at glasset sprekker.

TIPS: For enklere rengjøring av veggene som maten kan komme i kontakt med: Legg en halv sitron i en skål, tilsett 300 ml vann og varm med 100 % mikrobølgeeffekt i 10 minutter. Tørk av ovnen med en myk, tørr klut.

NO

KJØKKENUTSTYR

FORSIKTIG! Fare for personskade:

- Det er farlig å utføre service eller reparasjoner som involverer fjerning av deksel som beskytter mot eksponering av mikrobølger av andre enn kompetente personer.
- Se anvisningene i "Materialer som kan brukes eller skal unngås i mikrobølgeovnen." Enkelte ikke-metalliske kjøkkenutstyr kan være utrygge å bruke i mikrobølgeovnen. Hvis du er i tvil, kan du teste det aktuelle kjøkkenutstyret ved å følge prosedyren nedenfor.

Test av kjøkkenutstyr:

- Fyll en beholder som tåler mikrobølgeovn med 1 kopp kaldt vann (250 ml), og sett den i ovnen sammen med det aktuelle kjøkkenutstyret.
- Stek på maksimal effekt i 1 minutt.
- Kjenn forsiktig på kjøkkenutstyret. Hvis det tomme kjøkkenutstyret er varmt, må det ikke brukes til tilberedning i mikrobølgeovn.

MATERIALER SOM KAN BRUKES I MIKROBØLGEOVNEN

Kjøkkenutstyr	Merknader
Bruningsfat	Følg anvisningene fra produsenten. Bunnen på bruningsfatet må være minst 5 mm over dreieskiven. Feil bruk kan føre til at dreieskiven knekker.
Servise	Må være godkjent for mikrobølgeovn. Følg anvisningene fra produsenten. Ikke bruk gjenstander med hakk eller sprekker.
Glassbeholder	Ta alltid av lokket. Brukes kun til å varme opp maten lett. De fleste glassbeholdere er ikke varmebestandige og kan sprekke.
Glasstøy	Kun varmebestandig glasstøy. Pass på at det ikke har metallkanter. Ikke bruk gjenstander med hakk eller sprekker.
Stekeposer	Følg anvisningene fra produsenten. Må ikke lukkes med metallbånd. Lag hull slik at dampen kan slippe ut.
Papptallerkener og pappkopper	Brukes kun til kortvarig tilberedning/oppvarming. Ikke la ovnen være uten tilsyn under tilberedning.
Papirhåndklær	Brukes til å dekke maten for gjenoppvarming og absorbering av fett. Brukes kun til kortvarig tilberedning under tilsyn.
Bakepapir	Brukes som beskyttelse for å hindre sprut eller som et omslag for damping.
Plast	Må være godkjent for mikrobølgeovn. Følg anvisningene fra produsenten. Må være merket som "sikker for mikrobølgeovn". Noen plastbeholdere blir myke når maten i dem blir varm. "Kokeposer" og tett lukkede plastposer skal skjæres opp eller lages hull i som angitt i anvisningene på pakken.
Plastfolie	Må være godkjent for mikrobølgeovn. Brukes til å dekke maten under tilberedning for å holde på fuktigheten. Ikke la plastfolien komme i kontakt med maten.
Termometer	Må være godkjent for mikrobølgeovn (steke- og sukkertermometere).
Vokspapir	Brukes som beskyttelse for å hindre sprut og holde på fuktigheten.

NO

MATERIALER SOM SKAL UNNGÅS I MIKROBØLGEOVNEN

Kjøkkenutstyr	Merknader
Aluminiumsfat	Kan forårsake lysbuedannelse. Legg maten i en form som tåler mikrobølgeovn.
Matkartong med metallhåndtak	Kan forårsake lysbuedannelse. Legg maten i en form som tåler mikrobølgeovn.
Kjøkkenutstyr av metall eller med metallkant	Metallet hindrer at mikrobølgeenergien kommer frem til maten. Metallkanter kan forårsake lysbuedannelse.
Poselukkere av metall	Kan forårsake lysbuedannelse og brann i ovnen.
Papirposer	Kan forårsake brann i ovnen.
Skumplast	Skumplast kan smelte eller forurense væsken i beholderen når den utsettes for høye temperaturer.
Tre	Tre vil tørke inn når det brukes i mikrobølgeovn, og det kan oppstå sprekker.

NO

FEILSØKING

Normal

Mikrobølgeovnen forstyrrer TV-signalet	Radio- og TV-signalene kan forstyrres når mikrobølgeovnen er i bruk. Det minner om forstyrrelsene fra små elektriske apparater, mikserer, støvsugere og elektriske vifter. Dette er normalt.
Dimming av ovnslys	Tilberedning av mat i mikrobølgeovnen på lavt effektnivå kan gjøre ovnslyset svakere. Dette er normalt.
Damp akkumuleres på ovnsdøren og varmluft strømmer ut av lufteventilene	Under tilberedning kan det komme damp fra maten. Mesteparten vil strømme ut gjennom ventilene. Noe av dampen kan samle seg på et kjøligere sted som ovnsdøren. Dette er normalt.
Ovnen startet ved et uhell uten at det lå mat i den.	Det er forbudt å bruke apparatet uten at det ligger mat i ovnen. Dette er svært farlig.

NO

Problem	Mulig årsak	Løsning
Ovnen kan ikke startes.	(1) Støpselet er ikke satt ordentlig inn i stikkontakten.	Trekk ut støpselet. Sett inn støpselet på nytt etter 10 sekunder.
	(2) Sikringen går eller automatsikringen utløses.	Skift sikringen eller tilbakestill automatsikringen (repareres av fagpersonell fra vårt firma)
	(3) Problem med strømuttaket.	Test stikkontakten med andre elektriske apparater.
Ovnen varmes ikke opp.	Døren er ikke lukket.	Lukk døren skikkelig.



GARANTI

NO

Wilfa gir 5 års garanti på dette produktet fra kjøpsdatoen. Garantien dekker produksjonsfeil eller defekter som oppstår i garantiperioden. Kjøpskvittingen fungerer som bevis overfor forhandleren ved eventuelle garantikrav.

Garantien gjelder kun for produkter som er kjøpt og brukt i privathusholdning. Garantien ugyldiggjøres hvis produktet brukes kommersielt. Garantien er ikke gyldig hvis produktet misbrukes, ved uaktsom bruk eller hvis du ikke følger instruksjonene fra Wilfa, eller ved uautoriserte modifiseringer og reparasjoner. Garantien dekker heller ikke normal bruksslitasje på produktet, misbruk, mangel på vedlikehold, bruk av feil elektrisk spenning eller:

- Overbelastning av produktet
- Vanlige slitedeler
- Deler som må skiftes ut regelmessig (f.eks. filter, batteri osv.)

Bruksanvisningen er også tilgjengelig på nettstedet vårt: wilfa.no

PRODUKTSPEKIFIKASJONER

Merkespenning:	220-240V~50Hz
Inngangseffekt:	1300-1400 W
Utgangseffekt:	850-900 W
Konveksjon:	1400-1500 W

SUPPORT OG RESERVEDELER

For support, besøk oss på **wilfa.no**, og se vår kundeservice/supportside. Her finner du vanlige spørsmål, reservedeler, tips og triks, samt all kontaktinformasjon.

GJENVINNING



Dette merket betyr at produktet ikke må deponeres med vanlig husholdningsavfall i EØS-området. For å unngå skade på miljø og mennesker, er det viktig at dette produktet gjenvinnes. Lever produktet til en miljøstasjon eller ta kontakt med butikken der du kjøpte det. De kan ta seg av produktet for gjenvinning helt kostnadsfritt.

NO

SE

INNEHÅLL

- 54 FÖRSIKTIGHETSÅTGÄRDER FÖR ATT UNDVIKA
EXPONERING AV ÖVERDRIVEN MIKROVÅGSENERGI
- 54 VIKTIGA SÄKERHETSANVISNINGAR
- 60 PRODUKTÖVERSIKT
- 61 MONTERING
- 62 INSTALLATION
- 63 ANVÄNDNING
- 70 RENGÖRING
- 70 REDSKAP
- 71 MATERIAL SOM KAN ANVÄNDAS I
MIKROVÅGSUGNEN
- 72 MATERIAL SOM INTE KAN ANVÄNDAS I
MIKROVÅGSUGNEN
- 73 FELSÖKNING
- 74 GARANTI
- 75 PRODUKTSPECIFIKATIONER
- 75 SUPPORT OCH RESERVDELAR
- 75 ÅTERVINNINGSBARHET

SE

FÖRSIKTIGHETSÅTGÄRDER FÖR ATT UNDVIKA EXPONERING AV ÖVERDRIVEN MIKROVÅGSENERGI

- Försök aldrig använda ugnen med öppen lucka eftersom det kan leda till skadlig exponering av mikrovågsenergi. Det är viktigt att inte ha sönder eller manipulera säkerhetslåsen.
- Placera inte föremål mellan ugnens framsida och luckan eller låtsmuts och rester av rengöringsmedel samlas på tätningssytor.

VARNING! Om luckan eller dess tätningssytor skadas, får ugnen inte användas förrän den har reparerats av behörig fackman.

SE

TILLÄGG

- Om apparaten inte hålls i rent skick kan ytan förstöras, vilket kan påverka apparatens livslängd och leda till farliga situationer.

VIKTIGA SÄKERHETSANVISNINGAR

- Denna produkt kan användas av barn från 8 års ålder eller äldre och av personer med nedsatt fysisk, sensorisk eller mental förmåga, samt personer med bristande erfarenhet och kunskap, om de övervakas eller instrueras beträffande säker användning av produkten och förstår de risker som är förknippade med användningen. Låt

aldrig barn leka med apparaten. Rengöring och underhåll får inte utföras av barn utan övervakning.

- Förvara apparaten och nätkabeln utom räckhåll för barn under 8 år.
- Av säkerhetsskäl måste en skadad elkabel bytas ut av tillverkaren, dennes servicerepresentant eller motsvarande.
- **WARNING!** Se till att apparaten är avstängd innan du byter lampa för att eliminera risk för elstöt.
- **WARNING!** Låt aldrig någon annan än en behörig fackman utföra service eller reparationer som medför avlägsnande av det lock som skyddar mot exponering av mikrovågor.
- **WARNING!** Vätskor och andra livsmedel får inte värmas i slutna behållare eftersom dessa riskerar att explodera.
- Om du värmer upp livsmedel i plast- eller pappersbehållare, håll ett öga på ugnen på grund av risken för antändning.
- Använd endast redskap som lämpar sig för användning i mikrovågsugnar.
- Vid rökbildning ska du stänga av ugnen eller dra ut dess stickkontakt ur eluttaget samt hålla luckan stängd för att kväva eventuella lågor.

SE

- Mikrovågsuppvärmning av drycker kan leda till försenad, våldsamt kokning. Hantera därför behållaren med försiktighet.
- För att undvika brännskador måste innehållet i nappflaskor och barnmatsburkar måste röras om eller skakas och temperaturen noggrant kontrolleras före konsumtion.
- Ägg i skal och hela hårdkokta ägg bör inte värmas i mikrovågsugnen eftersom de kan explodera, även efter att uppvärmningen har avslutats.
- Rengör ugnen regelbundet och avlägsna alla matrester.
- Om ugnen inte hålls ren kan ytskiktet bli förstört, vilket kan påverka ugnens livslängd och eventuellt leda till farliga situationer.
- För att undvika överhettning får apparaten aldrig installeras bakom en dekorlucka. (Detta gäller inte maskiner med dekorlucka.)
- Använd endast den temperaturgivare som rekommenderas för denna ugn. (Gäller ugnar som är förberedda för användning av temperaturavkännande givare.)
- Mikrovågsugnen får aldrig placeras i ett skåp om den inte är testad och godkänd för sådana användning.

SE

- Mikrovågsugnen måste användas med prydnadsluckan öppen. (För ugnar med prydnadslucka.)
- Denna apparat är avsedd för användning i hushåll och liknande platser som:
 - i personalköksutrymmen i butiker, på kontor eller andra arbetsmiljöer
 - av gäster på hotell, motell eller i andra boendemiljöer
 - bondgårdar
 - miljöer av typ "bed and breakfast"-boenden.
- Mikrovågsugnen är avsedd för uppvärmning av mat och dryck. Torkning av livsmedel eller klädesplagg och uppvärmning av värmedynor, tofflor, svampar, fuktiga trasor och liknande kan leda till risk för personskador, antändning eller brand.
- Metallbehållare för mat och dryck får inte användas vid tillagning i mikrovågsugn.
- Apparaten får inte rengöras med ångrengöringsredskap.
- Apparaten är avsedd att användas fristående.
- Apparaten är avsedd för inomhusbruk.
- Baksidan av apparaten ska placeras mot en vägg.

SE

- Apparaten är inte avsedd att användas med extern timer eller separata fjärrstyrningssystem.
- Temperaturen på vissa åtkomliga ytor kan vara hög när apparaten är i drift.
- **WARNING!** När apparaten används i kombinationsläget bör barn endast använda ugnen under uppsikt av en ansvarig vuxen person. Detta eftersom de höga temperaturer som uppstår medför risk för brännskador.

SE

FÖRSIKTIGHETSÅTGÄRDER FÖR MINSKAD PERSONSKADERISK HOS PERSONEN SOM JORDAR INSTALLATIONEN

WARNING – FARA! Risk för elektrisk stöt:

Risk för allvarliga personskador eller dödsfall om du vidrör vissa av de interna komponenterna. Montera aldrig isär apparaten.

WARNING! Risk för elektrisk stöt:

Felaktig användning av skyddsjord kan leda till elstötar. Anslut inte till eluttag förrän apparaten är korrekt installerad och jordad.

Denna apparat måste jordas. I händelse av elektrisk kortslutning minskar skyddsjordning risken för elstötar genom avledning av den elektriska strömmen.

Denna apparat är utrustad med en kabel med jordledning och jordad stickkontakt. Kontakten måste anslutas till ett eluttag som är korrekt installerat och jordat.

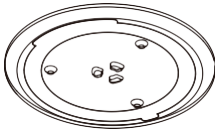
Konsultera en behörig elektriker eller servicetekniker om du inte förstått instruktionerna beträffande skyddsjordning eller om du är osäker på om apparaten är ordentligt jordad.

Om du behöver använda förlängningskabel ska du endast använda en kabel med tre ledare.

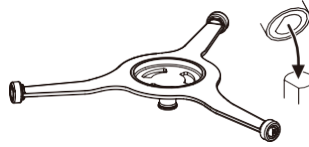
- En kort elkabel tillhandahålls för att minska risken att man trasslar in sig i eller snubblar över en längre kabel.
- Om du använder en lång förlängningskabel måste
 - den vara godkänd för samma elektriska specifikation som själva apparaten.
 - den vara en jordad kabel med tre ledare.
 - den placeras på ett sätt att den inte hänger över en bänk eller bord där den är åtkomlig för barn eller så att man kan snubbla över den.

SE

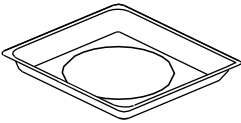
PRODUKTÖVERSIKT



Glastallrik



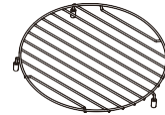
Medbringarenhet till roterande tallrik



Airfryer-panna:
Kan inte användas tillsammans med mikrovågsfunktionen eller kombinationsläget, utan endast vid luftfritering

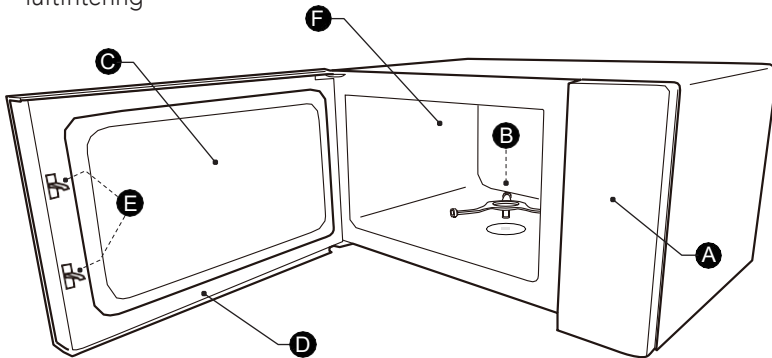


Airfryer-korg: Kan inte användas tillsammans med mikrovågsfunktionen eller kombinationsläget, utan endast vid luftfritering. Sätt tillbaka tassen om den faller av.



Grillgaller:
Kan inte användas tillsammans med mikrovågsfunktionen.

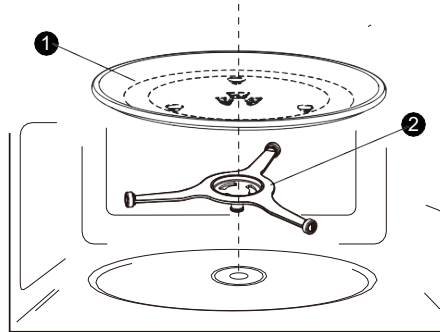
SE



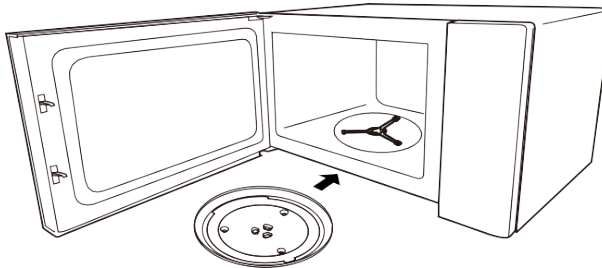
- A Kontrollpanel
- B Medbringarenhet till roterande tallrik
- C Observationsfönster
- D Dörrenhet
- E Säkerhetsspärr
- F Ugnsutrymme

MONTERING

Innan du börjar använda din nya mikrovågsugn – se till att avlägsna allt förpackningsmaterial och all tejp. Innan du kan börja använda apparaten för matlagning måste du ställa medbringaren korrekt samt rengöra ugnsutrymmet och tillbehören.



1. Glastallrik
2. Medbringarenhet till roterande tallrik



SE

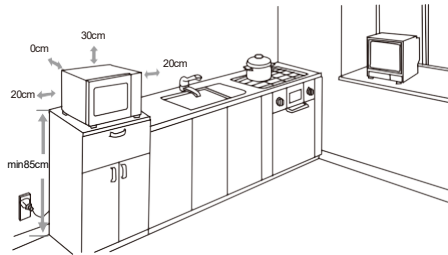
Obs!

- Använd aldrig apparaten utan medbringarenheten. Se till att den sitter ordentligt på plats. Medbringarenheten kan rotera medurs eller moturs.
- Placera aldrig glastallriken upp och ned. Glastallriken får inte blockeras utan måste kunna rotera fritt.
- Både glastallriken och den medbringarenheten måste alltid användas vid tillagning i mikrovågsugnen.
- Alla livsmedel och livsmedelsbehållare måste alltid stå på glastallriken vid tillagning.
- Hindra eller begränsa aldrig medbringarens rotation.
- Om glastallriken eller medbringarenheten spricker eller går sönder, kontakta närmaste auktoriserade servicecenter.

INSTALLATION

Avlägsna allt förpackningsmaterial och alla tillbehör. Undersök mikrovågsugnen för att upptäcka eventuella skador, t.ex. bucklor eller trasig lucka. Installera inte mikrovågsugnen om den är skadad.

Hölje: Ta bort eventuell skyddsfilm från mikrovågsugnens hölje. Ta inte bort glimmerplattan som sitter i ugnsutrymme ugnsutrymmet för att skydda magnetronen.



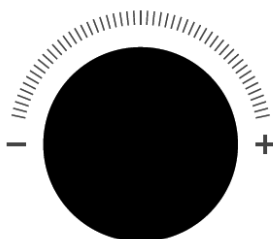
SE

- Placera mikrovågsugnen på en plan yta som erbjuder tillräckligt med fritt utrymme för alla ventilationsöppningar.
- Minsta installationshöjd är 85 cm.
- Baksidan av apparaten ska placeras mot en vägg.
- Det krävs ett fritt utrymme på minst 30 cm ovanför ugnen och minst 20 cm mellan ugnen och eventuella angränsande väggar.
- Ta inte bort fötterna från undersidan av ugnen.
- Blockering av ventilationsöppningar kan skada ugnen.
- Placera ugnen så långt bort från radio och tv som möjligt. Användning av mikrovågsugnen kan orsaka störningar i mottagningen av radio- och tv-signal.
- Anslut ugnen till ett vanligt vägguttag. Se till att spänningen och frekvensen är samma som spänningen och frekvensen på apparatens märketikett.
- **WARNING!** Installera aldrig mikrovågsugnen över en spishäll eller någon annan värmealstrande apparat. Vid installation av mikrovågsugnen nära eller ovanför en värmekälla kan mikrovågsugnen skadas och garantin upphöra att gälla.
- Den åtkomliga ytan kan bli mycket varm vid användning av mikrovågsugnen.



ANVÄNDNING

Display



SE

Ställa klockan

1. Tryck på "Clock/Timer" en gång så visas "00:00" i displayen.
2. Vrid på vredet för att ställa in timtalet, det ligger inom intervallet 0–23.
3. Tryck på "Clock/Timer" eller "START/+30SEC" för att bekräfta.
4. Vrid på vredet för att ställa in minuttalet, det ligger mellan 0–59.
5. Tryck på "Clock/Timer" eller "START/+30SEC" – klockan är inställd.

Obs!

- Om klockinställningen inte är inom intervallet 0:00~23:59 är den ogiltig.
- Återställ klockan genom att upprepa steg 1 till 5.

Inställning av timer

1. Tryck på "Clock/Timer" två gånger så visas "00:00" i displayen.
2. Vrid på vredet för att ställa in önskad tid. Det maximala tidsvärdet är "95:00".
3. Tryck på "START/+30SEC" för att bekräfta. Timern börjar nedräkningen.

Obs! Ingen annan åtgärd kan ställas in under timerns nedräkning.

Mikrovågstillagning

1. Tryck på "Microwave" så visas "P100" i displayen.
2. Tryck på "Microwave" upprepade gånger eller vrid vredet åt höger för att ställa in effektnivån. Det finns elva effektnivåer tillgängliga.
3. Tryck på "START/+30SEC" för att bekräfta.
4. Vrid på vredet för att ställa in önskad tid. Det maximala tidsvärdet är "95:00".
5. Tryck på "START/+30SEC" för att starta tillagningen.

Effektnivåtabell

Nivå	10	9	8	7	6	5	4	3	2	1	0
Effekt	100 %	90 %	80 %	70 %	60 %	50 %	40 %	30 %	20 %	10 %	0 %
Display	P100	P90	P80	P70	P60	P50	P40	P30	P20	P10	P0

SE

Snabbstart

1. Tryck i standbyläge på "START/+30SEC" för att tillaga på 100 % effektnivå i 30 sekunder. Varje tryckning på samma knapp ökar tiden med 30 sekunder. Den maximala tillagningstiden är "95:00".
2. I standbyläget vrider du vredet åt vänster för att välja tillagningstid direkt. Tryck sedan på "START/+30SEC" för att tillaga på 100 % effektnivå. Det maximala tidsvärdet är "95:00". På så sätt kan snabbstart ställas in som ett av flerstegslägena.

Kombinationsläge

1. Tryck på "Combi" en gång så visas "C-1" i displayen.
2. Vrid på vredet för att ställa in tillagningstiden. Det maximala tidsvärdet är "95:00".
3. Tryck på "START/+30SEC" för att starta tillagningen.

Varmluft med förvärmningsfunktion: Varmluft och luftfritering

1. I standbyläge trycker du på "Airfry" eller "Convection". På displayen visas "140C".
2. Vrid på vredet eller tryck på "Airfry" eller "Convection" upprepade gånger för att ställa in temperaturen, "140–230 °C" är tillgängliga.

3. Tryck på "START/+30SEC" för att bekräfta vald temperatur.
4. Tryck på "START/+30SEC" för att starta förvärmningen.
5. När det är dags för förvärmning lägger du livsmedlet i ugnsutrymmet och stänger luckan.
6. Vrid på vredet för att ställa in tillagningstiden. Det maximala tidsvärdet är "95:00".
7. Tryck på "START/+30SEC" för att starta tillagningen.

Obs! Varje tryck på "START/+30SEC" kan öka tillagningstiden med 30 sekunder under tillagningen.

Varmluft utan förvärmningsfunktion: Varmluft och luftfritering

1. I standbyläge trycker du en gång på "Air Fry" eller "Convection". I displayen visas "140C".
2. Vrid på vredet eller tryck på "Airfry" eller "Convection" upprepade gånger för att ställa in temperaturen, "140–230 °C" är tillgängliga.
3. Tryck på "START/+30SEC" för att bekräfta.
4. Vrid på vredet för att ställa in tillagningstiden. Det maximala tidsvärdet är "95:00".
5. Tryck på "CONFIRM /START/+30SEC" för att starta tillagningen.

Obs! Varje tryck på "START/30SEC" kan öka tillagningstiden med 30 sekunder under tillagningen.

SE

Tillagning i flera steg

1. I standbyläge trycker du på "Defrost" upprepade gånger eller vrider på vredet för att välja Defrost-menyn. Välj till exempel "DEF1".
2. Tryck på "START/+30SEC" för att bekräfta ditt val.
3. Vrid på ratten för att ställa in vikten på det som ska tinas. Viktintervallet är 100–2 000 g.
4. Tryck på "Microwave" så visas "P100" i displayen. Vrid på vredet eller tryck upprepade gånger på "Microwave" för att välja effektnivå.
5. Tryck på "START/+30SEC" för att bekräfta ditt val.
6. Vrid på vredet för att ställa in tillagningstiden. Det maximala tidsvärdet är "95:00".
7. Tryck på "START/+30SEC" för att starta tillagningen.

Anm. 1: Kökstimer, automeny, varmhållning och förvärmning kan inte ingå som ett av stegen.

Anm. 2: Du kan ställa in två tillagningssteg. Om ett av stegen är upptining måste detta vara det första steget.

Popcorn

1. Tryck en gång på "Popcorn" i standbyläge.
2. Tryck upprepade gånger på "Popcorn" eller vrid på vredet för att välja önskad vikt på popcornen. Du kan välja mellan alternativen "50 g" respektive "100 g".
3. Tryck på "START/+30SEC" för att starta tillagningen.

Auto-menyn

1. I standbyläge vrider du vredet åt höger så visas "A01" i displayen.
2. Vrid på vredet för att välja Auto-menyn. Tillgängliga alternativ är A01~A09.
3. Tryck på "START/+30SEC" för att bekräfta.
4. Vrid på ratten för att ställa in vikten på det som ska tinas.
5. Tryck på "START/+30SEC" för att starta tillagningen.

Obs! I menyn A03 respektive A09 avges en ljudsignal för att påminna dig om att vända på livsmedlet under tillagningsprocessen. Om du inte gör något fortsätter tillagningen.

SE

Meny	Vikt	Display	Effekt
A01 Automatisk återupp- värmning	150 g	150 g	P100
	250 g	250 g	
	350 g	350 g	
	450 g	450 g	
	600 g	600 g	
A02 Potatis	1	1	P100
	2	2	
	3	3	
A03 Kött	150 g	150 g	P80
	300 g	300 g	
	450 g	450 g	
	600 g	600 g	
A04 Grönsaker	150 g	150 g	P100
	350 g	350 g	
	500 g	500 g	

A05 Pasta	50 g (med kallt vatten 450 g)	50 g	P80
	100 g (med kallt vatten 800 g)	100 g	
	150 g (med kallt vatten 1 200 g)	150 g	
A06 Fisk	150 g	150 g	P80
	250 g	250 g	
	350 g	350 g	
	450 g	450 g	
	650 g	650 g	
A07 Soppa	200 ml	200	P100
	400 ml	400	
	600 ml	600	
A08 Pizza	200 g	200 g	Varmluft 180 °C
	300 g	300 g	
	400 g	400 g	
A09 Kyckling	500 g	500 g	Varmluft 200 °C
	750 g	750 g	
	1 000 g	1 000 g	
	1 200 g	1 200 g	

SE

Förinställningar för luftfritering

1. Tryck på "Air Fry Presets" så visas "AF01" i displayen.
2. Tryck upprepade gånger på "Air Fry Presets" eller vrid på vredet för att välja aktuell meny. Tillgängliga alternativ är AF01~AF14.
3. Tryck på "START/+30SEC" för att starta tillagningen.

Meny	Vikt	Display	Temperatur
Frysta pommes frites	450 g	AF01	Varmluft 220 °C
Fisk och chips	400 g	AF02	Varmluft 220 °C
Frysta kroketter	400 g	AF03	Varmluft 210 °C
Frysta calamari	400 g	AF04	Varmluft 210 °C
Frysta lökringar	350 g	AF05	Varmluft 210 °C
Frysta nuggets	500 g	AF06	Varmluft 210 °C
Schnitzel	450 g	AF07	Varmluft 200 °C
Räkor	200 g	AF08	Varmluft 210 °C
Grönsaker	300 g	AF09	Varmluft 220 °C
Vårrullar	400 g	AF010	Varmluft 210 °C
Frysta friterade räkor	240 g	AF011	Varmluft 210 °C
Frysta potatisklyftor	400 g	AF012	Varmluft 220 °C
Kycklingvingar	550 g	AF013	Varmluft 210 °C
Färska fiskfiléer	500 g	AF014	Varmluft 230 °C

SE

Obs! I menyerna AF02, AF04, AF05, AF06, AF07, AF10, AF11 avges en ljudsignal som påminner dig om att vända på livsmedlet under tillagningsprocessen. Om du inte gör något fortsätter tillagningen.

Viktbaserad upptining

1. Tryck på "Defrost" en gång så visas "dEF1" i displayen.
2. Tryck på "START/+30SEC" för att bekräfta.
3. Vrid på ratten för att ställa in vikten på det som ska tinas. Viktintervallet är 100–2 000 g.
4. Tryck på "START/+30SEC" för att starta tillagningen.

Obs! Ljudsignalen avges för att påminna dig om att vända på livsmedlet under tillagningsprocessen. Om du inte gör något fortsätter tillagningen.

Tidsbaserad upptining

1. Tryck på "Defrost" två gånger så visas "dEF2" i displayen.
2. Tryck på "CONFIRM /START/+30SEC" för att bekräfta.
3. Vrid på vredet för att ställa in tiden. Maximal tid är 95 minuter.
4. Tryck på "START/+30SEC" för att starta tillagningen.

Obs!

- När halva tiden har gått hörs en ljudsignal som påminner dig om att vända på livsmedlet. Om du inte gör något fortsätter upptiningen.
- Upptiningseffekten är P30 och kan inte ändras.

Varmhållning

1. I standbyläge trycker du på "Keep Warm" så visas "140C" i displayen. Temperaturen är standardinställd och kan inte ändras.
2. Vrid på vredet för att ställa in tiden. Det maximala tidsvärdet är 95 minuter.
3. Tryck på "START/+30SEC" för att starta tillagningen.

Eko

- Aktivera ECO-läget: I standbyläge trycker du en gång på "STOP/CLEAR/eco". Displayen släcks.
- Avbryta ECO-läget: I ECO-läge trycker du på valfri knapp, öppnar dörren eller vrid på vredet för att avbryta ECO-läget.

SE

Kylning

I slutet av tillagningsprocessen, om temperaturen inuti ugnen är för hög, slocknar inte ugnsbelysningen och kylfläkten fortsätter gå samtidigt som "COOL" visas i displayen. Ugnen återgår till standbyläge när du trycker på "Stop/Clear/Eco" eller när temperaturen understiger 140 °C.

Tyst läge

- Aktivera tyst läge: I standbyläge trycker du på "Clock/Timer/On/Off" i 2–3 sekunder så visas "oFF" i displayen.
- Avaktivera tyst läge: I tyst läge trycker du på "Clock/Timer/On/Off" i 2–3 sekunder så visas "on" i displayen.

RENGÖRING

- Se till att apparaten är urkopplad från strömförsörjningen när den ska rengöras.
- Efter användning – rengör ugnsutrymmet med en lätt fuktad trasa.
- Rengör tillbehören på vanligt sätt i diskmedel och vatten.
- Luckans karm och tätning liksom angränsande delar måste rengöras noggrant med en fuktig trasa när de blivit smutsiga.
- Använd inte starka rengöringsmedel eller vassa metallskrapor för att rengöra ugnsluckans glas eftersom detta kan repa ytan och leda till att glaset spricker.

TIPS! För enklare rengöring ytor inuti ugnen som livsmedel kan komma i kontakt med: Lägg en halv citron i en skål, tillsätt 300 ml vatten och värm på 100 % mikrovågeffekt i 10 minuter. Torka av ugnen med en mjuk, torr trasa.

REDSKAP

SE

VAR FÖRSIKTIG! Risk för personskada:

- Låt aldrig någon annan än en behörig fackman utföra service eller reparationer som medför avlägsnande av det lock som skyddar mot exponering av mikrovågor.
- Se instruktionerna i avsnitten "Material som kan användas i mikrovågsugnen" respektive "Material som inte kan användas i mikrovågsugnen". Det kan finnas vissa icke-metalliska redskap som inte är säkra att använda i mikrovågsugn. Om du är osäker kan du testa det aktuella redskapet enligt proceduren nedan.

Redskapstest:

- Fyll en mikrovågssäker behållare med 1 kopp kallt vatten (250 ml) tillsammans med det aktuella redskapet.
- Tillaga på maximal effekt i 1 minut.
- Känn försiktigt på redskapet. Om det är varmt ska det inte användas för tillagning i mikrovågsugn.

MATERIAL SOM KAN ANVÄNDAS I MIKROVÅGSUGNEN

Redskap	Anmärkningar
Bryningsform	Följ tillverkarens anvisningar. Bryningsformens botten måste vara minst 5 mm ovanför medbringaren. Felaktig användning kan leda till att medbringaren går sönder.
Bordsserviser	Endast mikrovågssäkra alternativ. Följ tillverkarens anvisningar. Använd inte trasiga eller kantstötta tallrikar.
Glasburk	Ta alltid bort locket. Använd endast för att värma livsmedlet tills det är precis varmt. De flesta glasburkar är inte värmebeständiga och kan gå sönder.
Glas	Endast värmebeständiga glas. Kontrollera att glaset inte har någon metallkant. Använd inte trasiga eller kantstötta glas.
Påsar för matlagning i ugn	Följ tillverkarens anvisningar. Använd inte påsförslutare av metall. Gör slitsar så att ångan kan strömma ut.
Papptallrikar och -muggar	Använd endast för tillagning/uppvärmning under kort tid. Lämna inte ugnen utan uppsikt under tillagningen.
Pappershanddukar	Används för att täcka över mat för återuppvärmning och för att absorbera fett. Använd endast under uppsikt vid tillagning under kort tid.
Bakplåtpapper	Använd som skydd för att förhindra stänk eller för inslagning vid ångkokning.
Plast	Endast mikrovågssäkra alternativ. Följ tillverkarens anvisningar. Bör vara märkt med "Tål mikrovågsugn". Vissa plastbehållare blir mjuka när innehållet inuti blir varmt. Kokpåsar och tättslutande plastpåsar måste slitas, punkteras eller liknande enligt förpackningens anvisningar.
Plastfolie	Endast mikrovågssäkra alternativ. Används för att täcka över livsmedlet under tillagningsprocessen så att fukten bevaras. Låt inte plastfolien komma i kontakt med livsmedlet.
Termometrar	Endast mikrovågssäkra alternativ (köttermometer eller sockertermometer).
Vaxpapper	Använd som skydd för att förhindra stänk och bevara fukt.

SE

MATERIAL SOM INTE KAN ANVÄNDAS I MIKROVÅGSUGNEN

Redskap	Anmärkningar
Aluminiumform	Kan orsaka ljusbåge. Lägg maten i en mikrovågsugnssäker form.
Matlåda med metallhandtag	Kan orsaka ljusbåge. Lägg maten i en mikrovågsugnssäker form.
Redskap av metall eller med metalldekor	Metall skärmar av maten från mikrovågorna. Metalldekor kan orsaka ljusbågar.
Påsförslutare som innehåller metall	Kan orsaka ljusbågar och brand i ugnen.
Papperspåsar	Kan orsaka brand i ugnen.
Skumplast	Behållare av skumplast som utsätts för höga temperaturer kan smälta eller förorena eventuell vätska som förvaras i skumplastbehållaren.
Trä	Trä som används i mikrovågsugn torkar ut och kan splittras eller spricka.

SE

FELSÖKNING

Normal

Mikrovågsugnen stör tv-mottagningen	Radio- och tv-mottagningen kan störas när mikrovågsugnen används. Det liknar störningar från små elektriska apparater, som matberedare, dammsugare, fläktar m.m. Detta är helt normalt.
Svag ugnsbelysning	Vid tillagning på låg effekt kan ugnsbelysningen bli svag. Detta är helt normalt.
Ånga ansamlas på luckan, varm luft strömmar ut ur ventilationsöppningarna	Under tillagningen kan livsmedlen avge ånga. Det mesta släpps ut genom ventilationsöppningarna. Men en del kan ansamlas på svalare ytor som ugnsdörren. Detta är helt normalt.
Ugnen startades av misstag utan mat inuti.	Du får inte köra apparaten utan mat inuti. Detta är mycket farligt.

Problem	Möjlig orsak	Åtgärd
Ugnen startar inte.	(1) Stickkontakten är inte ordentligt ansluten till eluttaget.	Dra ur den. Vänta i 10 sekunder och sätt sedan in stickkontakten i eluttaget igen.
	(2) Säkringen har gått eller jordfelsbrytaren har löst ut.	Byt säkringen eller återställ jordfelsbrytaren (repareras av behörig servicetekniker)
	(3) Problem med eluttaget.	Testa uttaget med någon annan elektrisk apparat.
Ugnen värmer inte upp.	Luckan är inte stängd.	Stäng luckan ordentligt.

SE



GARANTI

Wilfa ger en garanti på fem (5) år på denna produkt från och med inköpsdatum. Garantin täcker tillverkningsfel eller defekter som uppstår under garantiperioden. Ditt inköpskvitto fungerar som bevis gentemot återförsäljaren om du åberopar garanti.

SE

Garantin gäller endast produkter som köps och används för privat bruk, för normala hushållsändamål. Garantin gäller inte om produkten används för kommersiella ändamål. Garantin gäller inte om produkten används felaktigt eller oaktsamt, om du underlåter att följa Wilfas anvisningar, om produkten har modifierats eller om reparation har utförts av en icke auktoriserad person/verkstad. Garantin omfattar vidare inte fel som uppstår till följd av normalt slitage, felaktig användning, bristande underhåll eller felaktig elektrisk spänning eller:

- Överbelastning av produkten
- Delar som normalt slits
- Delar som du kan förvänta dig ska bytas ut regelbundet (t.ex. filter, batteri)

Bruksanvisningen finns även på vår hemsida wilfa.se

PRODUKTSPECIFIKATIONER

Spänning:	220-240 V~50 Hz
Mikrovågsineffekt:	1300–1400 W
Mikrovågsuteffekt:	850–900 W
Varmluft:	1400–1500 W

SUPPORT OCH RESERVDELAR

För support besök oss på **wilfa.se** och se vår kundservice-/supportside. Här hittar du svar på vanliga frågor, reservdelar, tips och tricks och all vår kontaktinformation.

ÅTERVINNINGSBARHET



Denna märkning anger att produkten inte får kastas med vanligt hushållsavfall inom EU. För att förhindra skador på miljö och människor ska produkten lämnas in och återvinnas i enlighet med gällande miljöbestämmelser. Den uttjänade produkten kan lämnas på angivna återvinningsanläggningar eller lämnas till din lokala återförsäljare. Där kan du lämna produkten för miljövänlig återvinning gratis.

SE

DK

INDHOLD

78	FORHOLDSREGLER TIL AT UNDGÅ AT BLIVE UDSAT FOR OVERDREVEN MIKROBØLGEENERGI
78	VIGTIGE SIKKERHEDSANVISNINGER
84	PRODUKTOVERSIGT
85	SAMLING
86	INSTALLATION
87	BETJENING
94	RENGØRING
94	KOGEGREJ
95	MATERIALER, DU KAN BRUGE I MIKROOVNEN
96	MATERIALER, DU SKAL UNDGÅ I MIKROOVNEN
97	FEJLSØGNING
98	GARANTI
99	PRODUKTSPECIFIKATIONER
99	SUPPORT OG RESERVEDELE
99	GENANVENDELIGHED

DK

FORHOLDSREGLER TIL AT UNDGÅ AT BLIVE UDSAT FOR OVERDREVEN MIKROBØLGEENERGI

- Forsøg ikke at betjene denne mikroovn med åben dør, da det kan medføre skadelig udsættelse for mikrobølgeenergi. Det er vigtigt at undgå at brække eller pille ved sikkerhedslåsene.
- Placer ikke ting mellem ovnens forside og dør, og lad heller ikke snavs eller rester af rengøringsmiddel samle sig på forseglinger.

ADVARSEL: Hvis døren eller dørens forsegling er beskadiget, må mikroovnen ikke bruges, før den er repareret af en tekniker.

TILLÆG

DK

- Hvis apparatet ikke holdes tilstrækkeligt rent, kan dets overflade degraderes og påvirke apparatets levetid og medføre en farlig situation.

VIGTIGE SIKKERHEDSANVISNINGER

- Apparatet må benyttes af børn fra 8 år og personer med begrænsede fysiske, sensoriske eller mentale evner eller mangel på erfaring og viden, hvis de er under opsyn eller har fået vejledning i brug af produktet på en sikker måde og forstår den risiko, der er forbundet hermed. Børn må ikke lege med apparatet. Rengøring og vedligeholdelse må ikke foretages af børn uden opsyn.

- Apparat og ledning skal opbevares utilgængeligt for børn, der er yngre end 8 år.
- Hvis strømledningen er beskadiget, skal den udskiftes af producenten, en fagmand eller en lignende kvalificeret person for at undgå farlige situationer.
- ADVARSEL: Sluk apparatet før udskiftning af pære, for at undgå risikoen for elektrisk stød.
- ADVARSEL: Det er farligt for andre end teknikere at udføre service eller reparationer, der involverer fjernelse af dæksel, der beskytter mod mikrobølgeenergi.
- ADVARSEL: Væsker og anden mad må ikke opvarmes i en forseglet beholder, da de kan eksplodere.
- Ved opvarmning af madvarer i plast- eller papirbeholdere, skal man holde øje med mikroovnen på grund af risikoen for antændelse.
- Brug kun kogegrej, der er egnet til mikroovne.
- Hvis der udsendes røg, skal du slukke for eller tage stikket ud af apparatet og holde døren lukket for at kvæle evt. flammer.

DK

- Opvarmning af drikkevarer i mikroovn kan medføre forsinket eruptiv kogning, derfor bør man være forsigtig, når man rører ved beholderen.
- Indholdet af sutteflasker og glas med babymad skal omrøres eller rystes, og temperaturen kontrolleres inden indtagelse for at undgå forbrændinger.
- Æg med skal og hele hårdkogte æg bør ikke opvarmes i mikroovn, da de kan eksplodere – også efter afsluttet opvarmning i mikroovnen.
- Mikroovnen bør rengøres regelmæssigt, og madrester bør fjernes.
- Hvis mikroovnen ikke holdes ren, kan det medføre forringelse af overfladerne, hvilket kan skade apparatets levetid og eventuelt medføre en farlig situation.
- Apparatet må ikke installeres bag en dekorativ låge, da det kan medføre overophedning. (Dette gælder ikke for apparater med dekorativ låge.)
- Brug kun den temperaturføler, der anbefales til denne ovn. (gælder ovne, der er udstyret med mulighed for at bruge en temperaturføler.)
- Mikroovnen må ikke placeres i et skab, medmindre den er blevet testet i et skab.

DK

- Mikroovnen skal betjenes med dem dekorative låge åben. (gælder ovne med dekorativ låge.)
- Dette apparat er beregnet til husholdningsbrug og lignende opgaver såsom:
 - Køkkenområder i butikker, kontorer og på andre arbejdspladser.
 - Af gæster på hoteller, moteller og andre overnatningssteder.
 - Stuehuse.
 - Bed and breakfast-udlejning
- Mikroovnen er beregnet til at opvarme mad og drikkevarer. Tørring af mad eller tøj og opvarmning af varmepuder, sutsko, svampe, fugtige klude og lignende kan medføre risiko for personskade, antændelse eller brand.
- Metalbeholdere til mad og drikkevarer må ikke anvendes til tilberedning i mikroovn.
- Apparatet må ikke rengøres med damprenser.
- Apparatet skal stå frit.
- Apparatet er beregnet til indendørs brug.
- Apparaternes bagside skal placeres mod en væg.
- Apparatet er ikke beregnet til brug sammen med en ekstern timer eller et separat fjernbetjeningssystem.

DK

- Temperaturen på tilgængelige overflader kan være høj, når apparatet er i brug.
- **ADVARSEL:** Når apparatet anvendes i kombinationsfunktion, bør børn kun bruge ovnen under opsyn af en voksen på grund af de genererede temperaturer.

INSTALLATION MED JORDFORBINDELSE FOR AT REDUCERE RISIKOEN FOR PERSONSKADER

FARE! Risiko for elektrisk stød:

Berøring af nogle af de indvendige komponenter kan medføre alvorlig personskade eller død. Undgå at skille apparatet ad.

ADVARSEL! Risiko for elektrisk stød:

DK

Forkert brug af jordforbindelse kan medføre elektrisk stød. Sæt ikke stikket i en stikkontakt, før apparatet er installeret rigtigt og forbundet med jord.

Dette apparat skal forbindes med jord. I tilfælde af en kortslutning reducerer jordforbindelse risikoen for elektrisk stød ved at give strømmen en flugtvej.

Dette apparat er udstyret med en ledning med jordforbindelse med jordstik. Stikket skal sættes i en stikkontakt, der er korrekt installeret og har jordforbindelse.

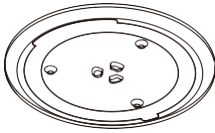
Spørg en elektriker eller servicetekniker, hvis du ikke helt har forstået vejledningen omkring jordforbindelse, eller hvis der er tvivl om, hvorvidt apparatet har den rigtige jordforbindelse.

Hvis det er nødvendigt at benytte forlængerledning, bør man kun anvende en forlængerledning med 3 ledninger.

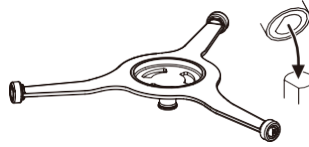
- Der medfølger en kort strømledning for at reducere risikoen for at blive viklet ind i eller falde over en længere ledning.
- Hvis der anvendes en lang ledning eller forlængerledning:
 - Ledningens eller forlængerledningens elektriske spænding bør være mindst lige så høj som apparatets elektriske spænding.
 - Forlængerledningen skal være med jord og 3 ledninger.
 - Den lange ledning bør placeres således, at den ikke hænger ud over bordkanten, hvor børn kan trække i den, eller man kan falde over den ved et uheld.

DK

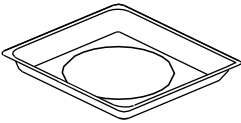
PRODUKTOVERSIGT



Glastallerken



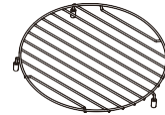
Drivkobling til glastallerken



Airfryer-bakke: Kan ikke bruges i mikroovn og kombination, den skal bruges i airfryer

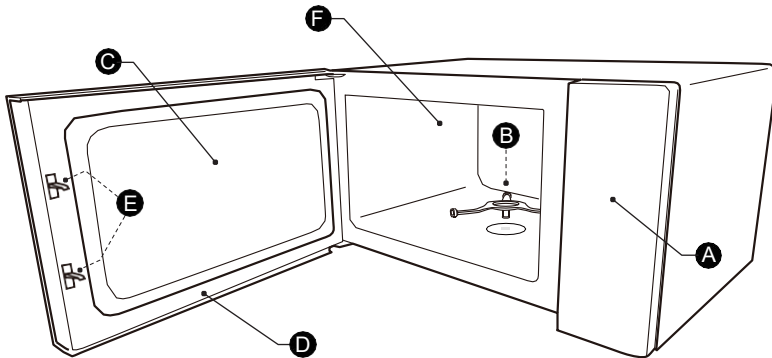


Airfryer-kurv: Kan ikke bruges i mikroovn og kombination, den skal bruges i airfryer. Hvis fodpudden falder af, skal den monteres igen.



Grillstativ: Kan ikke anvendes i mikrobølgefunktion.

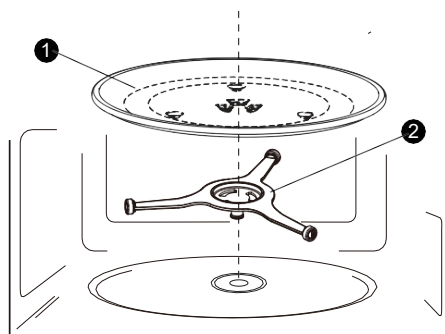
DK



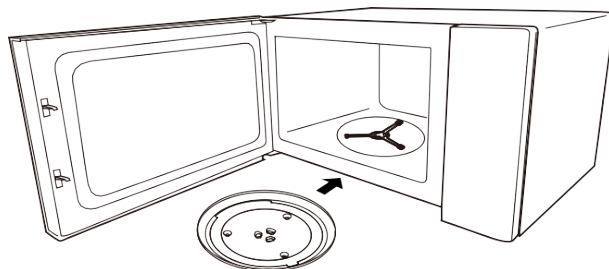
- A Kontrolpanel
- B Drivkobling til glastallerken
- C Observationsvindue
- D Dørenhed
- E Sikkerhedslåsesystem
- F Ovnrøm

SAMLING

I forbindelse med nye installationer skal al emballage og tape fjernes. Inden ibrugtagning af apparatet til at tilberede mad, skal drejetallerkenen monteres korrekt og ovnrummet og tilbehør skal rengøres.



1. Glastallerken
2. Drivkobling til glastallerken



DK

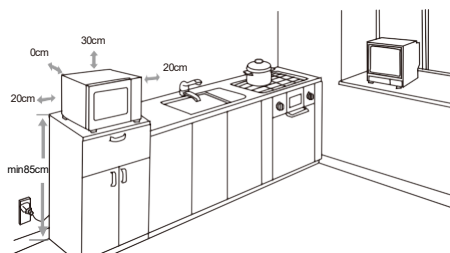
Bemærk:

- Brug aldrig apparatet uden drivkoblingen. Kontroller, at den er placeret korrekt. Drivkoblingen kan dreje med eller mod uret.
- Vend aldrig glastallerkenen på hovedet. Glastallerkenen må ikke blokeres.
- Både glastallerkenen og drivkobling til drejetallerken skal altid bruges under madlavning.
- Al mad og alle beholdere med mad skal altid placeres på glastallerkenen under tilberedning.
- Undgå at begrænse drivkoblignens bevægelser.
- Hvis glastallerkenen eller drivkobling revner eller knækker, skal du kontakte dit nærmeste autoriserede servicecenter.

INSTALLATION

Fjern al emballage og alt tilbehør. Undersøg ovnen for eventuelle skader som f.eks. buler eller ødelagt dør. Installer ikke, hvis ovnen er beskadiget.

Kabinet: Fjern evt. beskyttelsesfilm på mikroovnens overflade. Undgå at fjerne bølgeleder dækslet, der er monteret i ovnrummet for at beskytte magnetronen.



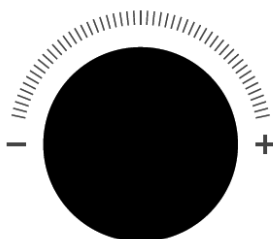
- Vælg et plant underlag, der giver tilstrækkelig fri plads til indsugnings- og/eller udsugningsventilerne.
- Den mindste installationshøjde er 85 cm.
- Apparaternes bagside skal placeres mod en væg.
- Der skal være mindst 30 cm fri luft over ovnen og mindst 20 cm mellem ovnen og tilstødende vægge.
- Fjern ikke ben fra bunden af mikroovnen.
- Blokering af indsugnings- og udsugningsåbninger kan beskadige mikroovnen.
- Placer ovnen så langt væk fra radio og tv som muligt. Betjening af mikroovnen kan medføre forstyrrelser på din radio- og tv-signaler.
- Sæt ovnen i et standard stik. Kontroller, at spænding og frekvens er den samme som spænding og frekvens på mærkepladen.
- **ADVARSEL:** Ovnen må ikke installeres over et komfur eller andre varmeproducerende apparater. Hvis den installeres i nærheden af eller over en varmekilde, kan ovnen blive beskadiget, og garantien bortfalder.
- Den tilgængelige overflade kan være varm under drift.

DK



BETJENING

Display



DK

Indstilling af uret

1. Tryk på "Clock/Timer" én gang for at få vist "00:00" i displayet.
2. Drej knappen for at indstille timer mellem 0-23.
3. Tryk på "Clock/Timer" eller "START/+30SEC." for at bekræfte.
4. Drej knappen for at indstille minutter mellem 0-59.
5. Tryk på "Clock/Timer" eller "START/+30SEC." Uret er nu indstillet.

Bemærk:

- Hvis indstillingen af uret ikke ligger inden for 0:00~23:59, er den ugyldig.
- Nulstil uret ved at gentage trin 1 til 5.

Indstilling af timer

1. Tryk på "Clock/Timer" én gang for at få vist "00:00" i displayet.
2. Drej på knappen for at vælge ønsket tid. Den maksimale tidsværdi er "95:00".
3. Tryk på "START/+30SEC." for at bekræfte. Timeren begynder at tælle ned.

Bemærk: Der kan ikke indstilles nogen andre funktioner, mens timeren tæller ned.

Tilberedning med mikrobølger

1. Tryk på "Microwave", hvorefter "P100" vises i displayet.
2. Tryk flere gange på "Microwave", eller drej knappen mod højre for at vælge effektniveauet. De 11 effekt niveauer er tilgængelige.
3. Tryk på "START/+30SEC." for at bekræfte.
4. Drej på knappen for at vælge ønsket tid. Den maksimale tidsværdi er "95:00".
5. Tryk på "START/+30SEC." for at starte tilberedningen.

Diagram over effekt niveauer

Niveau	10	9	8	7	6	5	4	3	2	1	0
Effekt	100 %	90 %	80 %	70 %	60 %	50 %	40 %	30 %	20 %	10 %	0 %
Display	P100	P90	P80	P70	P60	P50	P40	P30	P20	P10	P0

DK

Quick start

1. Tryk på "START/+30SEC." for at tilberede med 100 % effektniveau i 30 sekunder. Hvert tryk på tasten forlænger tilberedningstiden med 30 sekunder. Den maksimale tilberedningstid er "95:00".
2. Drej knappen til venstre i standby for at vælge tilberedningstid direkte, og tryk derefter på "START/+30SEC." for at tilberede med 100 % mikrobølgeeffekt. Den maksimale tidsværdi er "95:00". På denne måde kan hurtig start indstilles som en af flere trin.

Kombineret tilberedning

1. Tryk på "Combi", hvorefter "C-1" vises i displayet.
2. Drej på knappen for at vælge tilberedningstid. Den maksimale tidsværdi er "95:00".
3. Tryk på "START/+30SEC." for at starte tilberedningen.

Tilberedning med varmluft og forvarmningsfunktion: Varmluft og airfrying

1. Tryk på "Airfry" eller "Convection" i standby. Ovnen viser "140C".
2. Drej på knappen, eller tryk flere gange på "Airfry" eller "Convection" for at vælge temperatur. Vælg mellem "140-230 °C".
3. Tryk på "START/+30SEC." for at bekræfte temperaturen.

4. Tryk på "START/+30SEC." for at starte forvarmning.
5. Når forvarmningstiden er nået, sættes maden i ovnen, og døren lukkes.
6. Drej på knappen for at vælge tilberedningstid. Den maksimale tidsværdi er "95:00".
7. Tryk på "START/+30SEC." for at starte tilberedningen.

Bemærk: Hvert tryk på "START/+30SEC." forlænger tilberedningstiden med 30 sekunder.

Tilberedning med varmluft uden forvarmningsfunktion: Varmluft og airfrying

1. Tryk på "Airfry" eller "Convection" i standby. Ovnen viser "140C".
2. Drej på knappen, eller tryk flere gange på "Airfry" eller "Convection" for at vælge temperatur. Vælg mellem "140-230 °C".
3. Tryk på "START/+30SEC." for at bekræfte.
4. Drej på knappen for at vælge tilberedningstid. Den maksimale tidsværdi er "95:00".
5. Tryk på "CONFIRM/START/+30SEC." for at starte tilberedningen.

Bemærk: Hvert tryk på "START/+30SEC." forlænger tilberedningstiden med 30 sekunder.

Tilberedning i flere sekvenser

1. Tryk gentagne gange på "Defrost" i standby, eller drej knappen for at vælge optøningsmenuen. Vælg f.eks. "DEF1".
2. Tryk på "START/+30SEC." for at bekræfte.
3. Drej på knappen for at vælge vægt i menuen. Vægtområdet er 100 til 2000 g.
4. Tryk på "Microwave", "P100" vises, drej knappen eller tryk på "Microwave" flere gange for at vælge effektniveau.
5. Tryk på "START/+30SEC." for at bekræfte.
6. Drej på knappen for at vælge tilberedningstid. Den maksimale tidsværdi er "95:00".
7. Tryk på "START/+30SEC." for at starte tilberedningen.

Note 1: Køkkentimer, automenu, varmholdning og forvarmning kan ikke være et af trinene.

Note 2: Der kan vælges 2 tilberedningstrin. Hvis et af trinene er optøning, skal det være første trin.

Popcorn

1. Tryk på "Popcorn" én gang i standby.
2. Tryk på "Popcorn" flere gange, eller drej på knappen for at vælge vægten af den ønskede mængde popcorn. Vælg mellem "50 g" og "100 g".
3. Tryk på "START/+30SEC." for at starte tilberedningen.

DK

Automenuen

1. I standby drejes knappen til højre, og "A01" vises.
2. Drej på knappen for at vælge automenuen. Vælg mellem A01~A09.
3. Tryk på "START/+30SEC." for at bekræfte.
4. Drej på knappen for at vælge vægt i menuen.
5. Tryk på "START/+30SEC." for at starte tilberedningen.

Bemærk: I menu A03 og A09 afgiver summeren en lyd for at minde dig om at vende maden under tilberedningen. Hvis der ikke er nogen reaktion, fortsætter ovnen.

Menu	Vægt	Display	Effekt
A01 Auto genopvarmning (g)	150 g	150 g	P100
	250 g	250 g	
	350 g	350 g	
	450 g	450 g	
	600 g	600 g	
A02 Kartofler	1	1	P100
	2	2	
	3	3	
A03 Kød	150 g	150 g	P80
	300 g	300 g	
	450 g	450 g	
	600 g	600 g	
A04 Grøntsager	150 g	150 g	P100
	350 g	350 g	
	500 g	500 g	
A05 Pasta	50 g (med koldt vand 450 g)	50 g	P80
	100 g (med koldt vand 800 g)	100 g	
	150 g (med koldt vand 1200 g)	150 g	

DK

A06 Fisk	150 g	150 g	P80
	250 g	250 g	
	350 g	350 g	
	450 g	450 g	
	650 g	650 g	
A07 Suppe	200 ml	200	P100
	400 ml	400	
	600 ml	600	
A08 Pizza	200 g	200 g	Con. 180 °C
	300 g	300 g	
	400 g	400 g	
A09 Kylling	500 g	500 g	Con. 200 °C
	750 g	750 g	
	1000 g	1000 g	
	1200 g	1200 g	

DK

Airfryer forudindstillinger

1. Tryk på "Air Fry Presets", og "AF01" vises i displayet.
2. Tryk flere gange på "Air Fry Presets", eller drej knappen for at vælge menuen. Vælg mellem AF01~AF14.
3. Tryk på "START/+30SEC." for at starte tilberedningen.

Menu	Vægt	Display	Temperatur
Frosne pommes frites	450 g	AF01	Con. 220 °C
Fisk og chips	400 g	AF02	Con. 220 °C
Frosne kroketter	400 g	AF03	Con. 210 °C
Frossen blæksprutte	400 g	AF04	Con. 210 °C
Frosne løgringe	350 g	AF05	Con. 210 °C
Frosne nuggets	500 g	AF06	Con. 210 °C
Schnitzel	450 g	AF07	Con. 200 °C
Rejer	200 g	AF08	Con. 210 °C
Grøntsager	300 g	AF09	Con. 220 °C
Forårsruller	400 g	AF010	Con. 210 °C
Frosne panerede rejer	240 g	AF011	Con. 210 °C
Frosne kartoffelbåde	400 g	AF012	Con. 220 °C
Kyllingevinger	550 g	AF013	Con. 210 °C
Frisk fiskefilet	500 g	AF014	Con. 230 °C

DK

Bemærk: I menu AF02, AF04, AF05, AF06, AF07, AF10 og AF11 afgiver summeren en lyd for at minde dig om at vende maden under tilberedningen. Hvis der ikke er nogen reaktion, kører ovnen videre.

Optøning efter vægt

1. Tryk på "Defrost" én gang, og "dEF1" vises i displayet.
2. Tryk på "START/+30SEC." for at bekræfte.
3. Drej på knappen for at vælge vægt i menuen. Vægtområdet er 100 til 2000 g.
4. Tryk på "START/+30SEC." for at starte tilberedningen.

Bemærk: Summeren lyder for at minde dig om at vende maden under optøningen. Hvis der ikke er nogen reaktion, kører ovnen videre.

Optøning efter tid

1. Tryk på "Defrost" to gange, og "dEF2" vises i displayet.
2. Tryk på "CONFIRM/START/+30SEC." for at bekræfte.
3. Drej på knappen for at vælge tid. Den maksimale tid er 95 minutter.
4. Tryk på "START/+30SEC." for at starte tilberedningen.

Bemærk:

- Når halvdelen af tiden er gået, lyder summeren for at minde dig om at vende maden. Hvis der ikke er nogen reaktion, kører ovnen videre.
- Optøningseffekten er P30 og kan ikke ændres.

Hold varm

1. I standby trykkes på "Keep Warm", og "140C" vises. Temperaturen er standard, den kan ikke ændres.
2. Drej på knappen for at vælge tid. Den maksimale værdi er 95 minutter.
3. Tryk på "START/+30SEC." for at starte tilberedningen.

Eco

- Sådan vælger du ECO-funktion: Tryk på "STOP/CLEAR/eco" én gang i standby. Skærmen slukker.
- Sådan annullerer du ECO-funktion: I ECO-funktion kan du trykke på vilkårlig tast, åbne døren eller dreje på knappen for at annullere funktionen.

Kølefunktion

Når tilberedningen er færdig, og temperaturen i ovnen er for høj, fortsætter ovenlyset og køleventilatoren med at køre, og displayet viser "COOL". Ovnen vender tilbage til standby, når du trykker på "Stop/Clear/Eco", eller når temperaturen kommer under 140 °C.

Stille funktion

- Sådan aktiveres stille funktion: I standby skal du trykke på "Clock/Timer/On/Off" i 2-3 sekunder, hvorefter "OFF" vises i displayet.
- Deaktivering af stille funktion: I stille funktion skal du trykke på "Clock/Timer/On/Off" i 2-3 sekunder, hvorefter "OFF" vises i displayet.

DK

RENGØRING

- Tag stikket til strømforsyningen ud.
- Rengør mikroovnen indeni efter brug med en let fugtet klud.
- Rengør tilbehør normalt i sæbevand.
- Dørramme, forsegling og tilstødende dele skal rengøres grundigt med en fugtig klud, når de er beskidte.
- Brug ikke skræppe slibende rengøringsmidler eller skarpe metalskrabere til at rengøre ovnlågens glas, da det kan ridse overfladen og medføre, at glasset splintrer.

TIP: Nem rengøring af ovnvægge, som den tilberedte mad kan komme i berøring med: Læg en halv citron i en skål, tilsæt 300 ml vand, og varm den ved 100 % mikrobølgeeffekt i 10 minutter. Tør ovnen ren med en blød, tør klud.

KOGEGREJ

FORSIGTIG! Fare for personskade:

- Det er farligt for andre end teknikere at udføre service eller reparationer, der involverer fjernelse af dæksel, der beskytter mod mikrobølgeenergi.
- Se vejledningen under "Materialer, du kan bruge i mikroovnen eller som du skal undgå i mikroovnen." Der findes noget ikke-metallisk kogegrej, der ikke er sikkert at bruge i mikroovnen. Hvis du er i tvivl, kan du teste kogegrejet ved at følge nedenstående procedure.

DK

Test af kogegrej:

- Fyld en beholder, der tåler mikroovn, med 1 kop koldt vand (250 ml) sammen med kogegrejet.
- Tilbered ved maksimal effekt i 1 minut.
- Mærk forsigtigt på kogegrejet. Hvis kogegrejet er varmt, kan det ikke bruges til tilberedning i mikroovn.

MATERIALER, DU KAN BRUGE I MIKROOVNEN

Køgegrej	Bemærkninger
Bruningsfad	Følg producentens vejledning. Bunden af bruningsfadet skal være mindst 5 mm over drejetallerkenen. Forkert brug kan ødelægge drejetallerkenen.
Service	Kun hvis det er beregnet til mikroovn. Følg producentens vejledning. Brug ikke revnede eller skårede fade.
Glaskande	Tag altid låget af. Må kun bruges til at opvarme mad, til den er varm. De fleste glaskander er ikke varmebestandige og kan gå i stykker.
Glasartikler	Kun ovnfaste glasartikler. Kontroller, at de ikke har metalkant. Brug ikke revnede eller skårede fade.
Stegeposer	Følg producentens vejledning. Må ikke lukkes med metalclips. Lav slidser, så dampen kan slippe ud.
Paptallerkner og kopper	Må kun anvendes til kortvarig tilberedning/opvarmning. Lad ikke ovnen være uden opsyn under tilberedningen.
Køkkenrulle	Bruges til at dække maden under genopvarmning og til at absorbere fedt. Må kun anvendes under opsyn ved kortvarig tilberedning.
Bagepapir	Bruges som låg for at undgå stænk eller som indpakning ved dampning.
Plast	Kun hvis det er beregnet til mikroovn. Følg producentens vejledning. Skal være mærket "Tåler mikroovn". Nogle plastbeholdere bliver bløde, når maden i dem bliver varm. "Kogeposer" og tæt lukkede plastikposer skal skæres op, punkteres eller ventileres som beskrevet på emballagen.
Plastfolie	Kun hvis det er beregnet til mikroovn. Bruges til at dække maden under tilberedningen for at holde på fugten. Plastfolien må ikke komme i kontakt med maden.
Termometre	Kun hvis det er beregnet til mikroovn (kød- og sliktermometre).
Vokspapir	Bruges som låg for at undgå stænk eller til at holde på fugt.

DK

MATERIALER, DU SKAL UNDGÅ I MIKROOVNEN

Kogegrej	Bemærkninger
Aluminiumskål	Kan forårsage lysbuedannelse. Flyt maden til et fad, der tåler mikroovn.
Madkasse med metalhåndtag	Kan forårsage lysbuedannelse. Flyt maden til et fad, der tåler mikroovn.
Kogegrej af metal eller med metalkanter	Metal beskytter maden mod energien fra mikrobølger. Metalbelægning kan forårsage lysbuedannelse.
Clips af metal	Kan forårsage lysbuedannelse og brand i ovnen.
Papirposer	Kan forårsage brand i ovnen.
Skumplast	Skumplast kan smelte eller forurene væsken indeni, når den udsættes for høje temperaturer.
Træ	Træ tørrer ud, når det bruges i mikroovnen, og kan revne eller sprække

DK

FEJLSØGNING

Normal

Mikroovnen forstyrrer tv-modtagelse	Radio- og tv-modtagelse kan blive forstyrret, når mikroovnen er tændt. Det svarer til forstyrrelserne fra små elektriske apparater som f.eks. blendere, støvsugere og elektriske blæsere. Det er normalt.
Svagt ovnlys	Ved lav effekt kan ovnlyset være svagt. Det er normalt.
Damp samles på døren, der kommer varm luft ud af åbninger	Der kan komme damp fra maden under tilberedning. Hovedparten kommer ud via ventiler. Men noget kan samle sig på kølige steder som f.eks. ovndøren. Det er normalt.
Ovn starter ved et uheld uden mad.	Det er forbudt at bruge enheden uden mad. Det er meget farligt.

Problem	Mulig årsag	Afhjælpning
Ovnen kan ikke starte.	(1) Ledningen er ikke sat rigtigt i.	Tag stikket ud. Sæt det derefter i igen efter 10 sekunder.
	(2) Der er røget en sikring, eller hovedafbryderen er slået fra.	Udskift sikringen, eller nulstil hovedafbryderen (repareres af professionelt personale fra vores virksomhed)
	(3) Problem med udgang.	Test stikkontakt med andre elektriske apparater.
Ovnen varmer ikke.	Døren er ikke lukket.	Luk døren rigtigt.

DK



GARANTI

Wilfa yder 5 års garanti på dette produkt fra købsdatoen. Garantien dækker produktionsfejl eller mangler, der opstår i garantiperioden. Din kvittering fungerer som dokumentation over for forhandleren, hvis du ønsker at benytte din garanti.

Garantien gælder kun for produkter, der er købt til og bruges i private husstande. Garantien gælder ikke, hvis produktet bruges kommercielt. Garantien gælder ikke, hvis produktet er misbrugt, forsømt, vejledningen fra Wilfa ikke er fulgt, produktet er ændret, eller der er foretaget uautoriseret reparation. Garantien gælder heller ikke for normalt slid på produktet, misbrug, manglende vedligeholdelse, brug af forkert spænding eller:

DK

- Overbelastning af produktet
- Dele, der normalt bliver slidt
- Dele, der kan forventes udskiftet regelmæssigt (f.eks. filter, batteri osv.)

Brugervejledningen er også tilgængelig på vores hjemmeside wilfa.dk/wilfa.com

PRODUKTSPECIFIKATIONER

Spænding:	220-240V~50Hz
Mikrobølgeindgang:	1300-1400 W
Mikrobølgeeffekt:	850-900 W
Varmluft:	1400-1500 W

SUPPORT OG RESERVEDELE

Hvis du har brug for support, kan du finde vores kundeservice/supportside på **Wilfa.com**. Her finder du ofte stillede spørgsmål, reservedele, tips og tricks og alle vores kontaktoplysninger.

GENANVENDELIGHED



Dette mærkat angiver, at produktet ikke må bortskaffes sammen med andet husholdningsaffald nogen steder i EU. For at undgå potential skade på miljøet eller menneskers sundhed pga. ukontrolleret bortskaffelse af affald, skal produktet genanvendes på korrekt vis for at fremme bæredygtig genanvendelse af materielle ressourcer. Brug retur- og indsamlingssystemerne til genanvendelse af den brugte enhed, eller kontakt den forhandler, hvor du købte produktet. De kan tage dette produkt til en miljøvenlig genanvendelse uden beregning.

DK

FI

SISÄLLYS

- 102 VAROTOIMET LIIALLISELLE MIKROAALTOUUNIN
SÄTEILYLLE ALTISTUMISTA VASTAAN
- 102 TURVALLISUUSOHJEET
- 108 TUOTTEEN KUVAUS
- 109 KOKOAMINEN
- 110 ASENTAMINEN
- 111 KÄYTTÖ
- 118 PUHDISTAMINEN
- 118 KEITTIÖVÄLINEET
- 119 MATERIAALIT, JOITA SAA KÄYTTÄÄ
MIKROAALTOUUNISSA
- 120 MATERIAALEJA, JOITA EI SAA KÄYTTÄÄ
MIKROAALTOUUNISSA
- 121 ONGELMANRATKAISU
- 122 TAKUU
- 123 TUOTETIEDOT
- 123 TUKI JA VARAOSAT
- 123 KIERRÄTYS

FI

VAROTOIMET LIIALLISELLE MIKROAALTOUUNIN SÄTEILYLLE ALTISTUMISTA VASTAAN

- Älä yritä käyttää mikroaaltouunia luukku auki, sillä se voi altistaa haitalliselle säteilylle. Älä yritä rikkoa tai peukaloida turvalukitusjärjestelmää.
- Älä laita mitään uunin etupuolen ja oven väliin tai päästä likaa tai puhdistusainejäämiä kertymään tiivisteisiin.

VAROITUS: Jos mikroaaltouunin luukku tai sen tiivisteet ovat vaurioituneet, älä käytä laitetta ennen kuin pätevä ammattilainen on korjannut sen.

HUOMAUTUS

- Jos laitteen puhtaudesta ei huolehdi, sen pintojen kunto voi heikentyä, mikä saattaa lyhentää laitteen käyttöikää ja aiheuttaa vaaratilanteen.

FI

TURVALLISUUSOHJEET

- Kahdeksan vuotta täyttäneet lapset sekä fyysisesti, henkisesti, aisteiltaan tai tietämykseltään rajoittuneet tai kokemattomat henkilöt voivat käyttää laitetta, jos heitä valvotaan tai heitä on neuvottu käyttämään laitetta turvallisesti ja he ymmärtävät sen käyttämiseen liittyvät vaarat. Älä anna lasten leikkiä laitteella. Lapset eivät saa puhdistaa tai huoltaa laitetta ilman aikuisen valvontaa.

- Säilytä laite ja sen johto alle 8-vuotiaiden lasten ulottumattomissa.
- Jos virtajohto on vahingoittunut, se on vaaran välttämiseksi vaihdettava valmistajalla, valmistajan valtuuttamassa huoltokorjaamossa tai valtuutetulla ammattilaisella.
- VAROITUS: Sähköiskun välttämiseksi varmista ennen lampun vaihtamista, että laite on sammutettu.
- VAROITUS: Muiden kuin pätevien ammattilaisten on vaarallista tehdä mikroaaltouunille sellaista huoltoa tai korjausta, jossa säteilyltä suojaava kansi poistetaan.
- VAROITUS: Älä kuumenna nesteitä ja muita ruokia suljetuissa astioissa, sillä ne saattavat räjähtää.
- Kun kuumennat ruokaa muovi- tai pahvirasioissa, pidä mikroaaltouunia silmällä mahdollisen syttymisvaaran vuoksi.
- Käytä vain sellaisia keittiövälineitä, jotka soveltuvat käyttöön mikroaaltouunissa.
- Mikäli syntyy savua, sammuta laite tai irrota se pistorasiasta. Pidä luukku suljettuna mahdollisten liekkien tukahduttamiseksi.

- Juomien kuumentaminen mikroaaltouunissa voi johtaa voimakkaaseen jälkikiehumiseen. Käsittele astioita varoen.
- Tuttipullojen ja vauvanruokapurkkien sisältöä on sekoitettava tai ravistettava ja sen lämpötila on tarkistettava palovammojen välttämiseksi.
- Älä lämmitä kuorellisia kananmunia tai kokonaisia keitettyjä kananmunia mikroaaltouunissa, sillä ne saattavat räjähtää kuumennuksen aikana tai sen jälkeen.
- Puhdista uuni säännöllisesti ja poista sieltä ruokajäämät.
- Jos uunin puhtaudesta ei huolehdi, sen pintojen kunto voi heikentyä, mikä saattaa lyhentää laitteen käyttöikää ja aiheuttaa vaaratilanteen.
- Laitetta ei saa asentaa etusarjan taakse ylikuumentumisen välttämiseksi. (Tämä ei koske laitteita, joissa on etusarja.)
- Käytä vain tähän uuniin suositeltua lämpötila-anturia. (Uunit, joissa on mahdollisuus käyttää lämpötila-anturia.)
- Mikroaaltouunia ei saa sijoittaa kaappiin, ellei sitä ole testattu kaapissa.

FI

- Mikroaaltouunia on käytettävä etusarja auki. (Uunit, joissa on etusarja.)
- Tämä laite on tarkoitettu käytettäväksi kotona ja muissa vastaavissa paikoissa.
 - kauppojen, toimistojen ja muiden työympäristöjen sosiaalityötiloissa
 - hotellien, motellien ja muiden vastaavien majoituspaikkojen asiakastyötiloissa
 - maataloilla
 - aamiaismajoituksessa
- Mikroaaltouuni on tarkoitettu ruokien ja juomien kuumentamiseen. Ruokien tai vaatteiden kuivaaminen sekä lämpötyynyjen, tohveleiden, pesusienien, kosteiden liinojen tai vastaavien lämmittäminen aiheuttaa loukkaantumis-, syttymis- ja tulipalovaaran.
- Metallisia elintarvike- ja juoma-astioita ei saa käyttää mikroaaltouunissa.
- Älä puhdistu laitetta höyrypesurilla.
- Laite on tarkoitettu käytettäväksi vapaasti seisovana.
- Laite on tarkoitettu sisäkäyttöön.
- Laitteen takapinta on sijoitettava seinää vasten.

- Tätä laitetta ei ole tarkoitettu käytettäväksi erillisellä ajastimella tai kaukosäätimellä.
- Laitteen pinnat voivat kuumentua käytön aikana.
- VAROITUS: Kun laitetta käytetään yhdistelmätilassa, lapset saavat käyttää uunia vain aikuisen valvonnassa laitteen synnyttämien lämpötilojen vuoksi.

MAADOITTAMISEEN LIITTYVÄN HENKILÖVAHINKORISKIN VÄHENTÄMINEN

VAARA! Sähköiskuvaara.

Joidenkin sisäisten komponenttien koskettaminen voi aiheuttaa vakavan loukkaantumisen tai kuoleman. Älä pura laitetta osiin.

VAROITUS! Sähköiskuvaara.

Väärin tehty maadoitus voi aiheuttaa sähköiskun. Älä työnnä pistoketta pistorasiaan ennen kuin laite on asennettu ja maadoitettu asianmukaisesti.

FI

Tämä laite on maadoitettava. Maadoitus pienentää sähköiskun riskiä oikosulun yhteydessä tarjoamalla sähkövirralle purkautumisreitit.

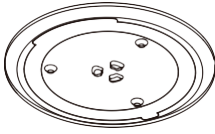
Tässä laitteessa on maadoitusjohto ja -pistoke. Pistoke on liitettävä pistorasiaan, joka on asennettu ja maadoitettu asianmukaisesti.

Kysy neuvoa pätevältä sähköasentajalta tai huoltoteknikolta, jos et ymmärrä maadoitusohjeita tai sinulla on epäilyksiä siitä, onko laite maadoitettu kunnolla.

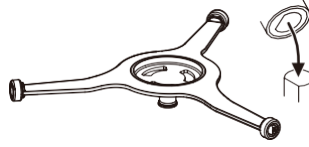
Jos jatkojohdon käyttäminen on tarpeen, käytä 3-johtoista mallia.

- Virtajohdosta on tehty lyhyt, sillä pitkä johto voi sotkeutua tai aiheuttaa kompastumisvaaran.
- Jos käytät pidempää johtoa tai jatkojohtoa:
 - Käytä ainoastaan sellaisia johtoja ja jatkojohtoja, jotka vastaavat sähköteknisiltä ominaisuuksiltaan vähintään laitteen tasoa.
 - Jatkojohdon on oltava maadoitettu ja tyypiltään 3-napainen.
 - Pitkä johto on aseteltava niin, että se ei roiku pöydän tai keittiötason reunan yli. Siten lapset eivät pääse tahattomasti vetämään johdosta ja siihen ei voi kompastua.

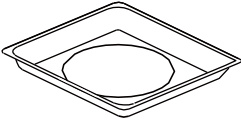
TUOTTEEN KUVAUS



Lasialusta



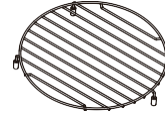
Pyörivä alusta



Kiertoilmakypsennysalusta: Ei voi käyttää mikroaaltouuni- ja yhdistelmätiloissa, tulee käyttää kiertoilmakypsennykseen.

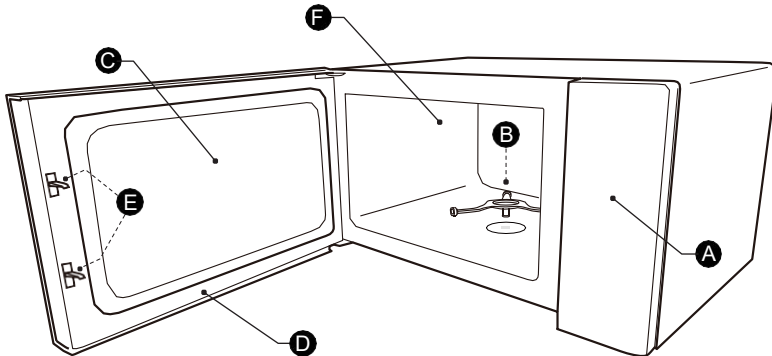


Kiertoilmakypsennyskori: Ei voi käyttää mikroaaltouuni- ja yhdistelmätiloissa, tulee käyttää kiertoilmakypsennykseen. Jos tassu irtoaa, asenna se takaisin paikalleen.



Grilliritilä: Ei voi käyttää mikroaaltouunitilassa.

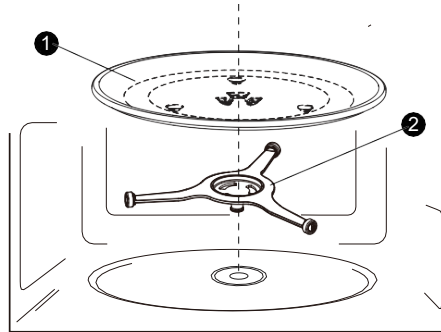
FI



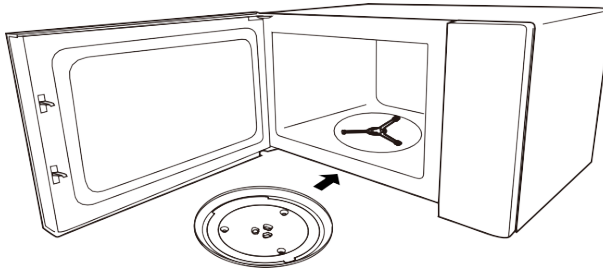
- A Ohjauspaneeli
- B Pyörivä alusta
- C Tarkkailuikkuna
- D Luukku
- E Turvalukitusjärjestelmä
- F Kypsennystila

KOKOAMINEN

Varmista uusissa asennuksissa, että kaikki pakkausmateriaali ja teippi on poistettu. Ennen kuin käytät laitetta ensimmäisen kerran ruoanlaittoon, aseta pyörivä alusta oikein paikalleen ja puhdista kypsennystila sekä lisävarusteet.



1. Lasialusta
2. Pyörivä alusta



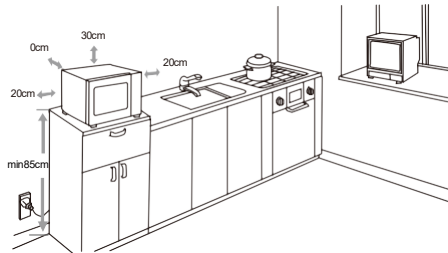
Huom.:

- Älä koskaan käytä laitetta ilman pyörivää alustaa. Varmista, että se on kunnolla kiinni. Pyörivä alusta voi pyöriä myötä- tai vastapäivään.
- Älä koskaan aseta lasialustaa ylösalaisin. Lasialustan liikettä ei saa koskaan rajoittaa.
- Sekä lasialustaa että pyörivää alustaa on aina käytettävä valmistuksen aikana.
- Kaikki ruoka ja ruoka-astiat on aina asetettava lasialustalle valmistusta varten.
- Älä koskaan rajoita pyörivän alustan liikettä.
- Jos lasialusta tai pyörivä alusta halkeaa tai rikkoutuu, ota yhteys lähimpään valtuutettuun huoltoliikkeeseen.

ASENTAMINEN

Poista kaikki pakkausmateriaalit ja tarvikkeet. Tarkista, ettei uunissa ole vaurioita, kuten kolhuja tai rikkoutunutta luukkuja. Älä asenna uunia, jos se on vaurioitunut.

Uunitila: Poista mikroaaltouunin pinnalla oleva suojakalvo. Älä irrota aaltojohdon suojusta, joka on kiinnitetty uunitilaan magnetronin suojaamiseksi.



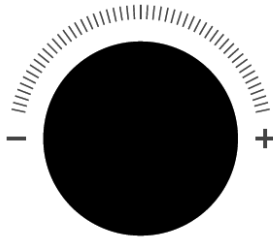
- Valitse tasainen alusta, joka tarjoaa riittävästi tilaa tuuletusaukoille.
- Vähimmäisasennuskorkeus on 85 cm.
- Laitteen takapinta tulee asettaa seinää vasten.
- Jätä vähintään 30 cm tilaa mikroaaltouunin yläpuolelle. Mikroaaltouunin ja sitä ympäröivien seinien väliin on jätävä vähintään 20 cm tilaa.
- Älä irrota mikroaaltouunin pohjassa olevia tassuja.
- Älä tuki tuuletusaukkoja, sillä se voi vahingoittaa mikroaaltouunia.
- Aseta mikroaaltouuni mahdollisimman kauas radiosta ja televisiosta. Mikroaaltouunin käyttö voi häiritä radio- ja televisiosignaalien vastaanottoa.
- Liitä mikroaaltouuni tavalliseen kodin pistorasiaan. Varmista, sähköverkon taajuus ja jännite vastaavat laitteen arvokilvessä ilmoitettuja tietoja.
- **VAROITUS:** Älä asenna mikroaaltouunia lieden tai muiden lämpöä tuottavien laitteiden päälle. Jos mikroaaltouuni asennetaan lämmönlähteen lähelle tai päälle, se voi vaurioitua ja takuu raukeaa.
- Pinta voi olla kuuma käytön aikana.

FI



KÄYTTÖ

Näyttö



Kellon asettaminen

1. Paina kerran Clock/Timer (Kello/ajastin) -painiketta, jolloin näyttöön ilmestyy "00:00".
2. Aseta tunnit kiertämällä nuppia, arvoväli on 0–23.
3. Vahvasta painamalla Clock/Timer- tai START/+30SEC-painiketta.
4. Aseta minuutit kiertämällä nuppia, arvoväli on 0–59.
5. Paina Clock/Timer- tai START/+30SEC-painiketta. Kello on asetettu.

Huomio:

- Jos kellonaika-asetus ei ole välillä 0:00–23:59, se on virheellinen.
- Nollaa kello toistamalla vaiheet 1–5.

Ajastimen asettaminen

1. Paina Clock/Timer (Kello/ajastin) -painiketta kahdesti, jolloin näyttöön ilmestyy "00:00".
2. Aseta haluttu aika kääntämällä nuppia. Maksimiaika-arvo on "95:00".
3. Vahvasta painamalla START/+30SEC-painiketta. Ajastin aloittaa laskennan.

Huom.: Muita toimintoja ei voi asettaa ajastimen ollessa käynnissä.

Kuumennus mikroaaltouunissa

1. Paina Microwave-painiketta. Näyttöön ilmestyy "P100".
2. Aseta tehotaso painamalla Microwave-painiketta useita kertoja tai kääntämällä nuppia oikealle. Käytettävissä on 11 tehotasoa.
3. Vahvasta painamalla START/+30SEC-painiketta.
4. Aseta haluttu aika kääntämällä nuppia. Maksimiaika-arvo on "95:00".
5. Käynnistä valmistus painamalla START/+30SEC-painiketta.

Tehotasotaulukko

Taso	10	9	8	7	6	5	4	3	2	1	0
Teho	100 %	90 %	80 %	70 %	60 %	50 %	40 %	30 %	20 %	10 %	0 %
Näyttö	P100	P90	P80	P70	P60	P50	P40	P30	P20	P10	P0

Pikakäynnistys

1. Paina valmiustilassa START/+30SEC-painiketta kypsentääksesi 100 % tehotasolla 30 sekunnin ajan. Jokainen saman näppäimen painallus pidentää aikaa 30 sekuntia. Enimmäiskypsennysaika on "95:00".
2. Kun laite on valmiustilassa, valitse kypsennysaika kääntämällä nuppia vasemmalle. Paina sitten START/+30SEC-painiketta, kun haluat kypsentää 100 % mikroaaltoteholla. Maksimiaika-arvo on "95:00". Näin pikakäynnistys voidaan asettaa osaksi monivaiheista prosessia.

FI

Yhdistelmävalmistus

1. Paina Combi-painiketta kerran, jolloin näyttöön ilmestyy "C-1".
2. Aseta valmistusaika kääntämällä nuppia. Maksimiaika-arvo on "95:00".
3. Aloita valmistus painamalla START/+30SEC-painiketta.

Konvektiokypsennys esilämmitystoiminnolla: Konvektio ja kiertoilmakypsennys

1. Paina valmiustilassa Airfry- tai Convection-painiketta. Uunin näytössä näkyy "140C".
2. Käännä nuppia tai paina toistuvasti Airfry- tai Convection-painiketta asettaaksesi lämpötilan välillä 140–230 °C.

3. Vahvista lämpötila painamalla START/+30SEC-painiketta.
4. Käynnistä esilämmitys painamalla START/+30SEC-painiketta.
5. Kun esilämmitysaika on kulunut, laita ruoka uuniin ja sulje luukku.
6. Aseta valmistusaika kääntämällä nuppia. Maksimiaika-arvo on "95:00".
7. Aloita valmistus painamalla START/+30SEC-painiketta.

Huom.: Jokainen START/+30SEC-painikkeen painallus pidentää aikaa 30 sekuntia valmistuksen aikana.

Konvektiokypsennys ilman esilämmitystoimintoa: Konvektio ja kiertoilmakypsennys

1. Paina valmiustilassa kerran Air Fry- tai Convection-painiketta. Uunin näytössä näkyy "140C".
2. Käännä nuppia tai paina toistuvasti Air Fry- tai Convection-painiketta asettaaksesi lämpötilan välillä 140–230 °C.
3. Vahvista painamalla START/+30SEC-painiketta.
4. Aseta valmistusaika kääntämällä nuppia. Maksimiaika-arvo on "95:00".
5. Käynnistä valmistus painamalla CONFIRM/START/+30SEC-painiketta.

Huom.: Jokainen START/+30SEC-painikkeen painallus pidentää aikaa 30 sekuntia valmistuksen aikana.

Monivaiheinen kypsennys

1. Paina valmiustilassa toistuvasti Defrost-painiketta tai valitse sulatustila kääntämällä nuppia. Esimerkiksi valitsemalla "DEF1".
2. Vahvista painamalla START/+30SEC-painiketta.
3. Aseta paino kääntämällä nuppia. Painoalue on 100–2 000 g.
4. Paina Microwave-painiketta, näytölle ilmestyy "P100". Käännä nuppia tai paina toistuvasti Microwave-painiketta tehotason valitsemiseksi.
5. Vahvista painamalla START/+30SEC-painiketta.
6. Aseta valmistusaika kääntämällä nuppia. Maksimiaika-arvo on "95:00".
7. Käynnistä valmistus painamalla START/+30SEC-painiketta.

Huomautus 1: Keittiöajastin, automaattinen tila, lämpimänäpito ja esilämmitys eivät voi olla yksi vaiheista.

Huomautus 2: Voit valita 2 kypsennysvaihetta. Jos yksi vaiheista on sulatus, sen on oltava ensimmäinen vaihe.

Popcorn

1. Paina valmiustilassa kerran Popcorn-painiketta.
2. Paina Popcorn-painiketta toistuvasti tai käännä nuppia valitaksesi popcornien painon. Vaihtoehdot ovat 50 g ja 100 g.
3. Käynnistä valmistus painamalla START/+30SEC-painiketta.

Automaattinen tila

1. Käännä nuppia valmiustilassa oikealle. Näyttöön ilmestyy "A01".
2. Valitse automaattinen tila kääntämällä nuppia. A01–A09 ovat käytettävissä.
3. Vahvista painamalla START/+30SEC-painiketta.
4. Aseta paino kääntämällä nuppia.
5. Aloita valmistus painamalla START/+30SEC-painiketta.

Huom.: Tiloissa A03 ja A09 kuuluu äänimerkki, joka muistuttaa kääntämään ruoan kypsennyksen aikana. Jos mitään ei tehdä, uuni jatkaa toimintaansa.

Tila	Paino	Näyttö	Teho
A01 Automaattinen uudelleenlämmitys	150 g	150 g	P100
	250 g	250 g	
	350 g	350 g	
	450 g	450 g	
	600 g	600 g	
A02 Peruna	1	1	P100
	2	2	
	3	3	
A03 Liha	150 g	150 g	P80
	300 g	300 g	
	450 g	450 g	
	600 g	600 g	
A04 Kasvis	150 g	150 g	P100
	350 g	350 g	
	500 g	500 g	
A05 Pasta	50 g (kylmällä vedellä 450 g)	50 g	P80
	100 g (kylmällä vedellä 800 g)	100 g	
	150 g (kylmällä vedellä 1200 g)	150 g	

A06 Kala	150 g	150 g	P80
	250 g	250 g	
	350 g	350 g	
	450 g	450 g	
	650 g	650 g	
A07 Keitto	200 ml	200	P100
	400 ml	400	
	600 ml	600	
A08 Pizza	200 g	200 g	Kon. 180 °C
	300 g	300 g	
	400 g	400 g	
A09 Broileri	500 g	500 g	Kon. 200 °C
	750 g	750 g	
	1000 g	1000 g	
	1200 g	1200 g	

Kiertoilmakypsennyksen esiasetukset

1. Paina Air Fry Presets -painiketta, jolloin näyttöön ilmestyy "AF01".
2. Valitse tila painamalla Air Frying Presets -painiketta useita kertoja tai kääntämällä nuppia. AF01–AF14 ovat käytettävissä.
3. Aloita valmistus painamalla START/+30SEC-painiketta.

Tila	Paino	Näyttö	Lämpötila
Pakastetut ranskanperunat	450 g	AF01	Kon. 220 °C
Fish and Chips	400 g	AF02	Kon. 220 °C
Pakastekroketit	400 g	AF03	Kon. 210 °C
Pakastettu mustekala	400 g	AF04	Kon. 210 °C
Pakastetut sipulirenkaat	350 g	AF05	Kon. 210 °C
Pakastetut nugetit	500 g	AF06	Kon. 210 °C
Schnitzel	450 g	AF07	Kon. 200 °C
Katkaravut	200 g	AF08	Kon. 210 °C
Kasvis	300 g	AF09	Kon. 220 °C
Kevätrullat	400 g	AF010	Kon. 210 °C
Pakastetut leivitetty katkaravut	240 g	AF011	Kon. 210 °C
Pakastetut lohkopaperit	400 g	AF012	Kon. 220 °C
Kanansiivet	550 g	AF013	Kon. 210 °C
Tuoreet kalafileet	500 g	AF014	Kon. 230 °C

FI

Huom.: Tiloissa AF02, AF04, AF05, AF06, AF07, AF10, AF11 kuuluu äänimerkki, joka muistuttaa kääntämään ruoan kypsennyksen aikana. Jos mitään ei tehdä, uuni jatkaa toimintaansa.

Sulatus painon mukaan

1. Paina Defrost-painiketta kerran, jolloin näytössä näkyy "dEF1".
2. Vahvista painamalla START/+30SEC-painiketta.
3. Aseta paino kääntämällä nuppia. Painoalue on 100–2 000 g.
4. Aloita valmistus painamalla START/+30SEC-painiketta.

Huom.: Äänimerkki muistuttaa, että ruoka on käännettävä sulatuksen aikana. Jos mitään ei tehdä, uuni jatkaa toimintaansa.

Sulatus ajan mukaan

1. Paina Defrost-painiketta kahdesti, jolloin näytössä näkyy "dEF2".
2. Vahvasta painamalla CONFIRM START/+30SEC-painiketta.
3. Aseta aika kääntämällä nuppia. Enimmäisaika on 95 minuuttia.
4. Käynnistä valmistus painamalla START/+30SEC-painiketta.

Huomio:

- Kun puolet ajasta on kulunut, kuuluu äänimerkki, joka muistuttaa kääntämään ruoan. Jos mitään ei tehdä, uuni jatkaa toimintaansa.
- Sulatusteho on P30, eikä sitä voi muuttaa.

Lämpimänä pitäminen

1. Paina valmiustilassa Keep Warm -painiketta. Näyttöön ilmestyy "140C". Lämpötila on esivalittu, eikä sitä voi muuttaa.
2. Aseta aika kääntämällä nuppia. Enimmäisaika-arvo on 95 minuuttia.
3. Aloita valmistus painamalla START/+30SEC-painiketta.

ECO

- ECO-tilaan siirtyminen: Paina valmiustilassa kerran STOP/CLEAR/eco-painiketta. Näyttö sammuu.
- ECO-tilasta poistuminen: Poistu ECO-tilassa painamalla mitä tahansa näppäintä, avaamalla luukku tai kääntämällä nuppia.

Jäähdytys

Jos uunin sisälämpötila on liian korkea kypsennyksen päätyttyä, uunin valo ja jäähdytystuuletin jatkavat toimintaansa ja näytössä näkyy "COOL". Uuni palaa valmiustilaan, kun painat Stop/Clear/Eco-painiketta tai kun lämpötila on alle 140 °C.

Äänetön tila

- Äänettömän tilan aktivoiminen: Paina valmiustilassa Clock/Timer/On/Off-painiketta 2–3 sekunnin ajan. Näyttöön ilmestyy "oFF".
- Äänettömästä tilasta poistuminen: Äänettömässä tilassa Clock/Timer/On/Off-painiketta 2–3 sekunnin ajan. Näyttöön ilmestyy "on".

PUHDISTAMINEN

- Irrota laitteen pistoke pistorasiasta.
- Puhdista uunin kypsennystila käytön jälkeen kostealla liinalla.
- Puhdista lisävarusteet tavalliseen tapaan vedellä ja astianpesuaineella.
- Luukun kehys ja tiivisteet sekä ympärivät osat on puhdistettava huolellisesti kostealla liinalla, jos ne ovat likaisia.
- Älä käytä voimakkaita hankaavia puhdistusaineita tai teräviä metallikaapimia uuniluukun lasin puhdistamiseen, sillä ne voivat naarmuttaa pintaa ja rikkoa lasin.

VINKKI: Seinien, joiden kanssa elintarvikkeet voivat joutua kosketuksiin, helppoa puhdistamista varten: Laita puolet sitruunasta kulhoon, lisää 300 ml vettä ja kuumenna 100 % mikroaaltoteholla 10 minuuttia. Pyyhi uuni puhtaaksi pehmeällä, kuivalla liinalla.

KEITTIÖVÄLINEET

HUOMIO! Henkilövahingon vaara:

- Muiden kuin pätevien ammattilaisten on vaarallista tehdä mikroaaltouunille sellaista huoltoa tai korjausta, jossa säteilyltä suojaava kansi poistetaan.
- Katso ohjeet kohdasta "Materiaalit, joita voidaan käyttää mikroaaltouunissa tai joita tulee välttää mikroaaltouunissa." Jotkin ei-metalliset keittiövälineet eivät välttämättä sovellu mikroaaltouuniin. Jos olet epävarma, voit testata kyseisen keittiövälineen alla kuvatulla tavalla.

Keittiövälinetestit:

- Täytä mikroaaltouuninkestävä astia 1 kupillisella kylmää vettä (250 ml) ja aseta mikroaaltouuniin myös keittiöväline, jonka käytöstä olet epävarma.
- Kypsennä täydellä teholla 1 minuutin ajan.
- Tunnustele keittiövälinettä varovasti. Jos keittiöväline on lämmin, älä käytä sitä mikroaaltouunissa.

MATERIAALIT, JOITA SAA KÄYTTÄÄ MIKROAALTOUUNISSA

Keittiövälineet	Huomautukset
Ruskistusastia	Noudata valmistajan ohjeita. Ruskistusastian pohjan on oltava vähintään 5 mm pyörivän alustan yläpuolella. Virheellinen käyttö voi aiheuttaa pyörivän alustan rikkoutumisen.
Ruokailuvälineet	Vain mikroaaltouunin kestävät. Noudata valmistajan ohjeita. Älä käytä murtuneita tai särkyneitä astioita.
Lasikannu	Poista aina kansi. Käytä vain ruoan lämmittämiseen sopivaksi. Useimmat lasipurkit eivät kestä kovaa kuumuutta ja voivat rikkoutua.
Lasiastiat	Vain lämmönkestävät uuniin sopivat lasiastiat. Varmista, että astiassa ei ole metallireunaa. Älä käytä murtuneita tai särkyneitä astioita.
Uunikypsennuspussit	Noudata valmistajan ohjeita. Älä sulje metallisiteellä. Tee rakoja, jotta höyry pääsee poistumaan.
Paperilautaset ja -mukit	Käytä vain lyhytaikaiseen kypsennykseen/lämmitykseen. Älä jätä uunia valvomatta kypsennyksen aikana.
Paperipyyhkeet	Käytä ruoan peittämiseen uudelleenlämmitystä ja rasvan imeytymistä varten. Käytä valvottuna vain lyhytaikaisessa kypsennyksessä.
Leivinpaperi	Käytä peitteenä roiskeiden estämiseksi tai kääreenä höyrytystä varten.
Muovi	Vain mikroaaltouunin kestävät. Noudata valmistajan ohjeita. Tulee olla merkitty merkinnällä "Microwave Safe". Jotkin muoviasiastiat pehmenevät, kun niiden sisällä oleva ruoka kuumenee. "Kypsennuspussit" ja tiiviisti suljetut muovipussit on halkaistava, lävistettävä tai ilmattava pakkauksen ohjeiden mukaisesti.
Muovikääre	Vain mikroaaltouunin kestävät. Käytä ruoan peittämiseen kypsennyksen aikana kosteuden säilyttämiseksi. Älä päästä muovikäärettä kosketuksiin ruoan kanssa.
Lämpömittarit	Vain mikroaaltouuninkestävät (liha- ja karkkilämpömittarit).
Vahapaperi	Käytä peitteenä roiskeiden estämiseksi ja kosteuden säilyttämiseksi.

MATERIAALEJA, JOITA EI SAA KÄYTTÄÄ MIKROAALTOUUNISSA

Keittiövälineet	Huomautukset
Alumiinialusta	Voi aiheuttaa valokaaren. Laita ruoka mikroaaltouuninkestävään astiaan.
Elintarvikepakkaus metallikahvalla	Voi aiheuttaa valokaaren. Laita ruoka mikroaaltouuninkestävään astiaan.
Metalliset tai metallireunaiset keittiövälineet	Metalli estää mikroaaltoenergiaa pääsemästä ruoan luokse. Metalliverhoilu voi aiheuttaa valokaaren.
Metalliset pussinsulkimet	Voivat aiheuttaa valokaaren muodostumisen ja tulipalon uunissa.
Paperipussit	Voivat aiheuttaa tulipalon uunissa.
Vaahtomuovi	Vaahtomuovi voi sulaa tai saastuttaa sisällä olevan nesteen altistuessaan korkeille lämpötiloille.
Puu	Puu kuivuu mikroaaltouunissa ja voi haljeta.

ONGELMANRATKAISU

Normaalit tilanteet

Mikroaaltouuni aiheuttaa häiriöitä TV-lähetysten vastaanottoon.	Mikroaaltouunin käyttö voi aiheuttaa häiriöitä radio- ja televisiolähetysten vastaanottoon. Samalla tavalla kuin muut kodin sähkölaitteet kuten vatkaimet, pölynimurit ja tuulettimet. Se on normaalia.
Valo on heikko.	Mikroaaltouunin toimiessa pienellä teholla myös sen valo voi olla heikko. Se on normaalia.
Luukkuun ilmestyy höyryä tai tuuletusaukoista tulee kuumaa ilmaa.	Ruoka voi höyrystyä kuumennuksen aikana. Suurin osa höyrystä poistuu tuuletusaukkojen kautta. Osa siitä voi kuitenkin tiivistyä mikroaaltouunin luukun kaltaisille viilleille pinnoille. Se on normaalia.
Uuni käynnistyi vahingossa ilman ruokaa.	Mikroaaltouunin käyttäminen tyhjiillään on kiellettyä. Se on erittäin vaarallista.

Ongelma	Mahdollinen syy	Korjaustoimenpide
Uunia ei voi käynnistää.	(1) Virtajohto ei ole kunnolla kiinni pistorasiassa.	Irrota pistoke pistorasiasta. Liitä pistoke uudelleen 10 sekunnin kuluttua.
	(2) Sulake palaa tai suojakatkaisin laukeaa.	Vaihda sulake tai nollaa suojakatkaisin (anna yrityksemme ammattihenkilöstön korjattavaksi)
	(3) Ongelma pistorasiassa.	Kokeile käyttää pistorasiaa jollakin muulla laitteella.
Mikroaaltouuni ei kuumenna.	Luukku ei ole kiinni.	Sulje luukku kunnolla.

FI



TAKUU

Wilfa myöntää tälle tuotteelle viiden (5) vuoden takuun ostopäivämäärästä alkaen. Takuu kattaa valmistusvirheet ja takuuaikana ilmenevät viat. Ostokuitti toimii todisteena jälleenmyyjälle takuuvaatimusten esittämisen yhteydessä.

Takuu koskee ainoastaan yksityiskäyttöön ostettuja ja yksityiskäytössä olleita tuotteita. Takuu ei ole voimassa, jos tuotetta on käytetty kaupallisesti. Takuu ei ole voimassa, jos tuotetta on käytetty väärin, huolimattomasti tai Wilfan antamien ohjeiden vastaisesti tai jos tuotetta on muutettu tai korjattu valtuuttamattomalla tavalla. Takuu ei koske myöskään tuotteen normaalia kulumista, väärinkäyttöä, huollon puutetta, väärän sähköjännitteen käyttöä tai väärää säilytystapaa käytettäessä eikä:

- Tuotteen ylikuormittamista
- Normaalisti kuluvia osia
- Osia, jotka pitääkin vaihtaa säännöllisesti (esim. suodatin, paristo jne.)

FI

Käyttöohje on saatavana myös verkkosivustoltamme osoitteessa wilfa.fi

TUOTETIEDOT

Nimellisjännite:	220-240 V ~ 50 Hz
Mikroaalto-ottoteho:	1300–1400 W
Mikroaaltoantoteho:	850–900 W
Konvektio:	1400–1500 W

TUKI JA VARAOSAT

Tukiasioissa vieraile osoitteessa **wilfa.fi** ja tutustu asiakaspalvelu- ja tukisivuumme. Sieltä löydät usein kysytyt kysymykset, varaosat, vinkit ja neuvot sekä kaikki yhteystietomme.

KIERRÄTYS



Tämä merkki osoittaa, että laitetta ei saa hävittää missään EU:n alueella talousjätteen mukana. Laitte tulee kierrättää vastuullisesti ja kestäväen kehityksen periaatteiden mukaisesti, jottei ympäristölle ja ihmisten terveydelle aiheudu haittaa. Kierrätä käytetty laite viemällä se keräyspisteeseen tai palauttamalla se tuotteen jälleenmyyjälle. Sieltä se ohjataan käsiteltäväksi ympäristön kannalta turvallisella tavalla ihan ilmaiseksi.

DE

INHALTSVERZEICHNIS

- 126 VORSICHTSMASSNAHMEN GEGEN MÖGLICHE
ÜBERMÄSSIGE MIKROWELLENENERGIE
- 126 WICHTIGE SICHERHEITSHINWEISE
- 134 PRODUKTÜBERSICHT
- 135 MONTAGE
- 136 INSTALLATION
- 137 BEDIENUNG
- 144 REINIGUNG
- 144 UTENSILIEN
- 145 MIKROWELLENTAUGLICHE MATERIALIEN
- 146 MATERIALIEN, DIE NICHT
MIKROWELLENTAUGLICH SIND
- 147 FEHLERBEHEBUNG
- 148 GARANTIE
- 149 TECHNISCHE DATEN
- 149 SUPPORT UND ERSATZTEILE
- 149 RECYCLINGFÄHIGKEIT

DE

VORSICHTSMASSNAHMEN GEGEN MÖGLICHE ÜBERMÄSSIGE MIKROWELLENENERGIE

- Versuchen Sie nicht, dieses Mikrowellengerät bei geöffneter Tür zu betreiben, da der Betrieb mit offener Tür zu schädlicher Mikrowellenenergie führen kann. Es ist wichtig, die Sicherheitsverriegelungen nicht zu zerstören oder zu manipulieren.
- Stellen Sie keine Gegenstände zwischen die Vorderseite des Mikrowellenherds und die Tür und lassen Sie keine Schmutz- oder Reinigungsmittelreste auf den Dichtflächen haften.

WARNUNG: Wenn die Tür oder die Türdichtungen beschädigt sind, darf das Gerät erst wieder in Betrieb genommen werden, wenn es von einer qualifizierten Person repariert wurde.

ERGÄNZUNG

- Wenn das Gerät nicht in einem guten Sauberkeitszustand gehalten wird, kann seine Oberfläche beschädigt werden, was die Lebensdauer des Geräts beeinträchtigen und zu einer gefährlichen Situation führen kann.

DE

WICHTIGE SICHERHEITSHINWEISE

- Dieses Gerät kann von Kindern ab 8 Jahren und Personen mit verminderten körperlichen, sensorischen oder geistigen Fähigkeiten bzw. ohne

ausreichende Erfahrung und Wissen verwendet werden, wenn sie beaufsichtigt werden, eine Einweisung zur sicheren Nutzung des Geräts erhalten haben und die damit verbundenen Gefahren verstanden haben. Das Gerät ist kein Spielzeug für Kinder. Die Reinigung und Wartung darf von Kindern nicht ohne Beaufsichtigung ausgeführt werden.

- Das Gerät und sein Kabel außerhalb der Reichweite von Kindern unter 8 Jahren aufbewahren.
- Wenn das Stromkabel beschädigt ist, muss es vom Hersteller, seiner Servicestelle oder ähnlich qualifizierten Personen ersetzt werden, um eine Gefährdung auszuschließen.
- **WARNUNG:** Stellen Sie sicher, dass das Gerät ausgeschaltet ist, bevor Sie die Lampe austauschen, um die Gefahr eines Stromschlags zu vermeiden.
- **WARNUNG:** Alle Servicearbeiten, bei denen die Abdeckung entfernt wird, die einen Schutz gegen Mikrowellenenergie bietet, müssen von autorisierten Personen/Serviceleistungen durchgeführt werden. Jeder andere Ansatz ist gefährlich.
- **WARNUNG:** Flüssigkeiten und andere Lebensmittel dürfen nicht in verschlossenen Behältern erhitzt werden, da sie explodieren können.

DE

- Wenn Sie Lebensmittel in Kunststoff- oder Papierbehältern erhitzen, behalten Sie das Gerät im Auge, da es sich entzünden kann.
- Verwenden Sie nur mikrowellengeeignete Utensilien.
- Wenn Rauch entsteht, schalten Sie das Gerät aus oder ziehen Sie den Netzstecker und halten Sie die Tür geschlossen, um Flammen zu ersticken.
- Wenn Getränke in der Mikrowelle erhitzt werden, kann es vorkommen, dass diese erst nach dem Herausnehmen aus dem Gerät zu kochen beginnen und eventuell überschäumen; lassen Sie also besondere Vorsicht beim Umgang mit dem Behälter walten.
- Wenn Sie Säuglingsnahrung und Fläschchen in der Mikrowelle erhitzen, rühren Sie den Inhalt nach dem Erhitzen gründlich um und prüfen die Temperatur vor dem Verzehr, damit es nicht zu Verbrennungen kommt.
- Eier in der Schale und ganze hartgekochte Eier sollten nicht in der Mikrowelle erhitzt werden, da Explosionsgefahr besteht – auch noch nach dem Erhitzen.
- Der Ofen sollte regelmäßig gereinigt und alle Lebensmittelreste entfernt werden.

DE

- Falls der Mikrowellenherd nicht sauber gehalten wird, kann es zu Veränderungen der Oberflächen kommen, die sich negativ auf die Lebensdauer des Gerätes auswirken und zu gefährlichen Situationen führen können.
- Das Gerät darf nicht hinter einer dekorativen Tür installiert werden, um eine Überhitzung zu vermeiden. (Dies gilt nicht für Geräte mit Dekortür.)
- Verwenden Sie nur den für dieses Gerät empfohlenen Temperaturfühler (für Geräte, die mit einer Möglichkeit zur Verwendung eines Temperaturfühlers ausgestattet sind).
- Das Mikrowellengerät darf nicht in einen Schrank gestellt werden, es sei denn, es ist dafür zugelassen.
- Der Betrieb der Mikrowelle muss bei geöffneter Dekortür erfolgen (für Geräte mit Dekortür).
- Diese Gerät ist nur für die Verwendung im Haushalt und ähnlichen Anwendungsbereichen bestimmt, darunter:
 - Personalküchen in Geschäften, Büros und anderen Arbeitsumgebungen,
 - von Kunden in Hotels, Motels und anderen Wohnumgebungen,
 - Bauernhäuser,
 - Bed & Breakfast.

- Das Mikrowellengerät ist zum Erhitzen von Speisen und Getränken bestimmt. Das Trocknen von Lebensmitteln oder Kleidung und das Erhitzen von Heizkissen, Hausschuhen, Schwämmen, feuchten Tüchern und dergleichen kann zu Verletzungen, Entzündungen oder Bränden führen.
- Metallbehälter für Speisen und Getränke sind zum Erhitzen in der Mikrowelle nicht zulässig.
- Das Gerät darf nicht mit einem Dampfstrahler gereinigt werden.
- Das Gerät ist für die freistehende Verwendung vorgesehen.
- Das Gerät ist für den Gebrauch in Innenräumen bestimmt.
- Die Rückseite des Geräts muss an einer Wand anliegen.
- Das Gerät ist nicht zur Bedienung über eine externe Zeitschaltuhr oder ein separates Fernbedienungssystem vorgesehen.
- Die Temperatur der zugänglichen Oberflächen kann hoch sein, wenn das Gerät in Betrieb ist.
- **WARNUNG:** Wenn die Mikrowelle im Kombibetrieb genutzt wird, sollten Kinder aufgrund der hohen Temperaturen nur unter Aufsicht eines Erwachsenen mit dem Gerät umgehen.

VERRINGERUNG DER VERLETZUNGSGEFAHR FÜR PERSONEN, DIE DIE INSTALLATION ERDEN

GEFAHR! Gefahr von Stromschlag:

Das Berühren einiger innenliegender Komponenten kann zu schweren Verletzungen oder zum Tod führen. Nehmen Sie das Gerät nicht auseinander.

WARNUNG! Gefahr von Stromschlag:

Unsachgemäße Verwendung der Erdung kann zu Stromschlägen führen. Stecken Sie den Stecker erst dann in eine Steckdose, wenn das Gerät ordnungsgemäß installiert und geerdet ist.

Dieses Gerät muss geerdet sein. Im Falle eines elektrischen Kurzschlusses verringert die Erdung die Gefahr eines Stromschlags, indem sie einen Fluchtdraht für den elektrischen Strom bereitstellt.

Dieses Gerät ist mit einem Kabel mit einem Erdungsdraht und einem Erdungsstecker ausgestattet. Der Stecker muss in eine ordnungsgemäß installierte und geerdete Steckdose gesteckt werden.

Wenden Sie sich an einen qualifizierten Elektriker oder Servicetechniker, wenn die Erdungsanweisungen nicht vollständig verstanden werden oder Zweifel bestehen, ob das Gerät ordnungsgemäß geerdet ist.

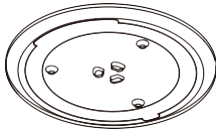
Wenn ein Verlängerungskabel verwendet werden muss, verwenden Sie nur ein 3-adriges Verlängerungskabel.

DE

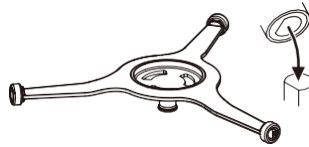
- Ein kurzes Netzkabel ist angebracht, um die Gefahren durch Verfangen oder Stolpern über ein längeres Kabel zu reduzieren.
- Bei Verwendung eines langen Kabelsatzes oder Verlängerungskabels:
 - sollte die Nennleistung des Kabelsatzes oder Verlängerungskabels mindestens so hoch sein wie die elektrische Nennleistung des Geräts.
 - muss das Verlängerungskabel ein 3-adriges Erdungskabel sein.
 - sollte das Kabel so verlegt werden, dass es nicht über die Arbeitsplatte oder Tischplatte herunterhängt, wo es von Kindern gezogen werden oder Stolpergefahr verursachen kann.

DE

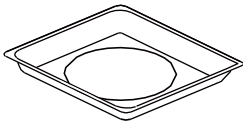
PRODUKTÜBERSICHT



Glasteller



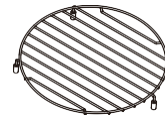
Rollring



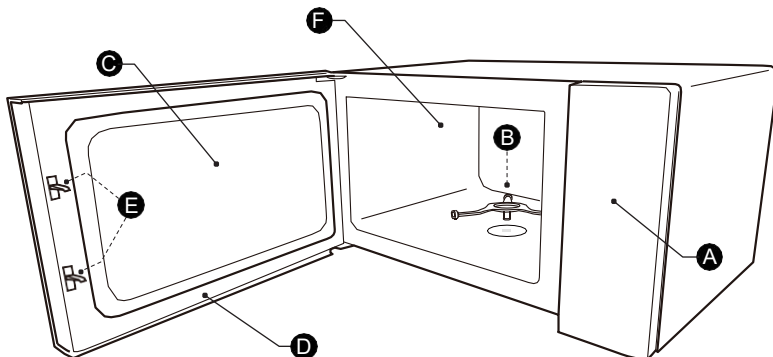
Heißluftfrittierschale:
Kann nicht in der Mikrowelle und in Kombination verwendet werden, sollte zum Heißluftfrittieren verwendet werden



Heißluftfrittierkorb: Kann nicht in der Mikrowelle und in Kombination verwendet werden, sollte zum Heißluftfrittieren verwendet werden. Falls das Fußpolster herausfällt, bringen Sie es bitte wieder an.



Grillrost: Kann nicht in der Mikrowellenfunktion verwendet werden.

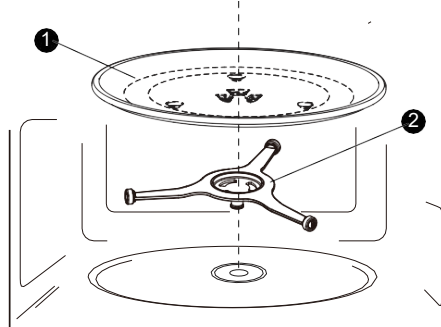


DE

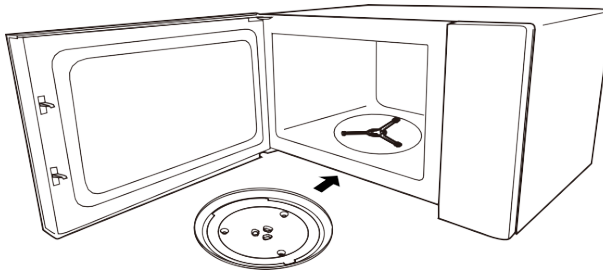
- A Bedienfeld
- B Rollring
- C Sichtfenster
- D Tür
- E Sicherheitstürverriegelung
- F Garkammer

MONTAGE

Entfernen Sie bei neuen Geräten sämtliche Verpackungsmaterialien und Klebebänder. Bevor Sie das Gerät zum ersten Mal für die Zubereitung von Speisen verwenden, müssen Sie den Drehteller korrekt aufstellen und die Garkammer und das Zubehör reinigen.



1. Glasteller
2. Rollring-Baugruppe

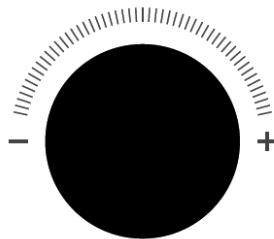


Hinweis:

- Verwenden Sie das Gerät nie ohne Drehteller. Achten Sie darauf, dass er richtig sitzt. Der Drehteller kann im oder gegen den Uhrzeigersinn gedreht werden.
- Stellen Sie den Glasteller niemals auf dem Kopf herein. Die Bewegung des Glasteller darf niemals behindert werden.
- Während des Garens müssen immer sowohl der Glasteller als auch der Drehteller verwendet werden.
- Alle Lebensmittel und Lebensmittelbehälter müssen zum Garen immer auf den Glasteller gestellt werden.
- Begrenzen Sie niemals die Bewegung des Drehtellers.
- Wenn der Glasteller oder die Rollring-Baugruppe beschädigt wird, wenden Sie sich an eine autorisierte Servicewerkstatt.

BEDIENUNG

Display



Einstellung der Uhr

1. Drücken Sie einmal auf „Clock/Timer“, dann wird „00:00“ angezeigt.
2. Drehen Sie den Knopf, um die Stundenwerte zwischen 0 und 23 einzustellen.
3. Drücken Sie zur Bestätigung „Clock/Timer“ oder „START/+30SEC“.
4. Drehen Sie den Knopf, um die Minuten zwischen 0 und 59 einzustellen.
5. Drücken Sie „Clock/Timer“ oder „START/+30SEC“, um die Uhr einzustellen.

Hinweis:

- Wenn die Uhreinstellung nicht innerhalb von 0:00~23:59 liegt, ist sie ungültig.
- Um die Uhr zurückzusetzen, wiederholen Sie bitte die Schritte 1 bis 5.

DE

Einstellung des Timers

1. Drücken Sie zweimal auf „Clock/Timer“, dann wird „00:00“ angezeigt.
2. Drehen Sie den Knopf, um die gewünschte Zeit einzustellen. Der maximale Zeitwert ist „95:00“.
3. Drücken Sie zur Bestätigung auf „START/+30SEC“. Der Timer beginnt herunterzuzählen.

Hinweis: Während der Timer herunterzählt, können keine anderen Vorgänge eingestellt werden.

Garen mit Mikrowelle

1. Drücken Sie „Mikrowave“ und dann wird „P100“ angezeigt.
2. Drücken Sie wiederholt auf „Mikrowave“ oder drehen Sie den Knopf nach rechts, um die Leistungsstufe einzustellen. Es stehen 11 Leistungsstufen zur Verfügung.
3. Drücken Sie zur Bestätigung auf „START/+30SEC“.
4. Drehen Sie den Knopf, um die gewünschte Zeit einzustellen. Der maximale Zeitwert ist „95:00“.
5. Drücken Sie „START/+30SEC“, um den Garvorgang zu beginnen.

Tabelle der Leistungsstufen

Stufe	10	9	8	7	6	5	4	3	2	1	0
Leistung	100 %	90 %	80 %	70 %	60 %	50 %	40 %	30 %	20 %	10 %	0 %
Display	P100	P90	P80	P70	P60	P50	P40	P30	P20	P10	P0

Schnellstart

1. Im Standby-Modus drücken Sie auf „START/+30SEC“, um 30 Sekunden lang mit 100 % Leistung zu garen. Durch jedes Drücken derselben Taste verlängern Sie den Garvorgang um 30 Sekunden. Die maximale Garzeit beträgt „95:00“.
2. Drehen Sie im Standby-Modus den Knopf nach links, um die Garzeit direkt auszuwählen, und drücken Sie dann „START/+30SEC“, um mit 100 % Mikrowellenleistung zu garen. Der maximale Zeitwert ist „95:00“. Auf diese Weise kann der Schnellstart als eine der mehrstufigen Einstellungen festgelegt werden.

DE

Kombigaren

1. Drücken Sie einmal auf „Combi“, dann wird „C-1“ angezeigt.
2. Drehen Sie den Knopf, um die Garzeit einzustellen. Der maximale Zeitwert ist „95:00“.
3. Drücken Sie „START/+30SEC“, um den Garvorgang zu beginnen.

Konvektionsgaren mit Vorheizfunktion: Konvektion & Heißluftfrittieren

1. Drücken Sie im Standby-Modus „Airfry“ oder „Convection“, der Ofen zeigt „140C“ an.
2. Drehen Sie den Knopf oder drücken Sie wiederholt auf „Airfry“ oder „Convection“, um die Temperatur einzustellen. „140–230 °C“ stehen zur Verfügung.
3. Drücken Sie „START/+30SEC“, um die Temperatur zu bestätigen.
4. Drücken Sie „START/+30SEC“, um das Vorheizen zu starten.
5. Wenn die Vorheizzeit erreicht ist, geben Sie die Speisen in die Mikrowelle und schließen die Tür.
6. Drehen Sie den Knopf, um die Garzeit einzustellen. Der maximale Zeitwert ist „95:00“.
7. Drücken Sie „START/+30SEC“, um den Garvorgang zu beginnen.

Hinweis: Durch jedes Drücken von „START/+30SEC“ verlängern Sie die Garzeit um 30 Sekunden.

Konvektionsgaren ohne Vorheizfunktion: Konvektion & Heißluftfrittieren

1. Drücken Sie im Standby-Modus einmal auf „Airfry“ oder „Convection“, der Ofen zeigt „140C“ an.
2. Drehen Sie den Knopf oder drücken Sie wiederholt „Airfry“ oder „Convection“, um die Temperatur einzustellen. Es stehen „140–230 °C“ zur Verfügung.
3. Drücken Sie zum Bestätigen auf „START/+30SEC“.
4. Drehen Sie den Knopf, um die Garzeit einzustellen. Der maximale Zeitwert ist „95:00“.
5. Drücken Sie „CONFIRM/START/+30SEC“, um mit dem Garvorgang zu beginnen.

Hinweis: Durch jedes Drücken auf „START/+30SEC“ kann der Garvorgang um 30 Sekunden verlängert werden.

Mehrstufiges Garen

1. Drücken Sie im Standby-Modus wiederholt auf „Defrost“ oder drehen Sie den Knopf, um das Auftaumenü auszuwählen. Wählen Sie zum Beispiel „dEF1“.
2. Bestätigen Sie mit „START/+30SEC“.
3. Drehen Sie den Knopf, um das Gewicht der Speisen einzustellen. Der Gewichtsbereich liegt zwischen 100 und 2.000 g.
4. Drücken Sie „Mikrowave“, „P100“ wird angezeigt. Drehen Sie den Knopf oder drücken Sie wiederholt „Mikrowave“, um die Leistungsstufe auszuwählen.
5. Bestätigen Sie mit „START/+30SEC“.
6. Drehen Sie den Knopf, um die Garzeit einzustellen. Der maximale Zeitwert ist „95:00“.
7. Drücken Sie „START/+30SEC“, um den Garvorgang zu beginnen.

DE

Hinweis 1: Küchentimer, Auto-Menü, Warmhalten und Vorheizen können nicht zu den Stufen gehören.

Hinweis 2: Es können 2 Garstufen eingestellt werden. Wenn eine der Stufen die Auftaufunktion ist, muss sie die erste Stufe sein.

Popcorn

1. Drücken Sie im Standby-Modus einmal auf „Popcorn“.
2. Drücken Sie wiederholt auf „Popcorn“ oder drehen Sie den Knopf, um das gewünschte Gewicht des Popcorns auszuwählen. „50 g“ und „100 g“ stehen zur Verfügung.
3. Drücken Sie „START/+30SEC“, um den Garvorgang zu beginnen.

Auto-Menü

1. Drehen Sie im Standby-Modus den Knopf nach rechts, „A01“ wird angezeigt.
2. Drehen Sie den Knopf, um das Auto-Menü auszuwählen. A01~A09 stehen zur Verfügung.
3. Drücken Sie zur Bestätigung auf „START/+30SEC“.
4. Drehen Sie den Knopf, um das Gewicht der Speisen einzustellen.
5. Drücken Sie „START/+30SEC“, um den Garvorgang zu beginnen.

Hinweis: In den Menüs A03 und A09 ertönt der Summer, um Sie daran zu erinnern, die Speisen während des Garens zu wenden. Wenn Sie das nicht machen, läuft das Gerät weiter.

Menü	Gewicht	Display	Leistung
A01 Automatisches Aufheizen	150 g	150 g	P100
	250 g	250 g	
	350 g	350 g	
	450 g	450 g	
	600 g	600 g	
A02 Kartoffeln	1	1	P100
	2	2	
	3	3	
A03 Fleisch	150 g	150 g	P80
	300 g	300 g	
	450 g	450 g	
	600 g	600 g	

DE

A04 Gemüse	150 g	150 g	P100
	350 g	350 g	
	500 g	500 g	
A05 Nudeln	50 g (mit kaltem Wasser 450 g)	50 g	P80
	100 g (mit kaltem Wasser 800 g)	100 g	
	150 g (mit kaltem Wasser 1.200 g)	150 g	
A06 Fisch	150 g	150 g	P80
	250 g	250 g	
	350 g	350 g	
	450 g	450 g	
	650 g	650 g	
A07 Suppe	200 ml	200	P100
	400 ml	400	
	600 ml	600	
A08 Pizza	200 g	200 g	Kon. 180 °C
	300 g	300 g	
	400 g	400 g	
A09 Hähnchen	500 g	500 g	Kon. 200 °C
	750 g	750 g	
	1.000 g	1.000 g	
	1.200 g	1.200 g	

Voreinstellungen Heißluftfrittieren

1. Drücken Sie „Air Fry Presets“ und dann wird „AF01“ angezeigt.
2. Drücken Sie wiederholt auf „Air Fry Presets“ oder drehen Sie den Knopf, um das Menü auszuwählen. AF01~AF14 sind verfügbar.
3. Drücken Sie „START/+30SEC“, um den Garvorgang zu beginnen.

Menü	Gewicht	Display	Temperatur
Tiefgekühlte Pommes frites	450 g	AF01	Kon. 220 °C
Fish and Chips	400 g	AF02	Kon. 220 °C
Tiefgekühlte Krokette	400 g	AF03	Kon. 210 °C
Tiefgekühlte Calamari	400 g	AF04	Kon. 210 °C
Tiefgekühlte Zwiebelringe	350 g	AF05	Kon. 210 °C
Tiefgekühlte Nuggets	500 g	AF06	Kon. 210 °C
Schnitzel	450 g	AF07	Kon. 200 °C
Garnelen	200 g	AF08	Kon. 210 °C
Gemüse	300 g	AF09	Kon. 220 °C
Frühlingsrollen	400 g	AF010	Kon. 210 °C
Tiefgekühlte panierte Garnelen	240 g	AF011	Kon. 210 °C
Tiefgekühlte Kartoffelspalten	400 g	AF012	Kon. 220 °C
Hähnchenflügel	550 g	AF013	Kon. 210 °C
Frische Fischfilets	500 g	AF014	Kon. 230 °C

Hinweis: Bei den Menüs AF02, AF04, AF05, AF06, AF07, AF10, AF11 ertönt der Summer, um Sie daran zu erinnern, die Speisen während des Garens zu wenden. Wenn Sie das nicht machen, läuft das Gerät weiter.

DE

Auftauen nach Gewicht

1. Drücken Sie einmal auf „Defrost“ (Auftauen). Auf dem Display wird „dEF1“ angezeigt.
2. Drücken Sie zur Bestätigung auf „START/+30SEC“.
3. Drehen Sie den Knopf, um das Gewicht der Speisen einzustellen. Der Gewichtsbereich liegt zwischen 100 und 2.000 g.
4. Drücken Sie „START/+30SEC“, um den Garvorgang zu beginnen.

Hinweis: Der Summer ertönt, um Sie daran zu erinnern, die Speisen während des Auftauens zu wenden. Wenn Sie das nicht machen, läuft das Gerät weiter.

Auftauen nach Zeit

1. Drücken Sie zweimal auf „Defrost“ (Auftauen), dann wird „dEF2“ angezeigt.
2. Drücken Sie zur Bestätigung auf „CONFIRM/START/+30SEC“.
3. Drehen Sie den Knopf, um die Zeit einzustellen. Die maximale Zeit beträgt 95 Minuten.
4. Drücken Sie „START/+30SEC“, um den Garvorgang zu beginnen.

Hinweis:

- Wenn die Hälfte der Zeit verstrichen ist, ertönt der Summer, um Sie daran zu erinnern, die Speisen zu wenden. Wenn Sie das nicht machen, läuft das Gerät weiter.
- Die Auftauleistung ist P30 und kann nicht geändert werden.

Warmhalten

1. Drücken Sie im Standby-Modus auf „Keep Warm“, „140C“ wird angezeigt. Die Temperatur ist voreingestellt und kann nicht geändert werden.
2. Drehen Sie den Knopf, um die Zeit einzustellen. Der maximale Zeitwert beträgt 95 Minuten.
3. Drücken Sie „START/+30SEC“, um den Garvorgang zu beginnen.

ECO-Modus

- So schalten Sie den ECO-Modus ein: Drücken Sie im Standby-Modus einmal auf „STOP/CLEAR/eco“. Der Bildschirm schaltet sich aus.
- Um den ECO-Modus abzubrechen: Drücken Sie im ECO-Modus eine beliebige Taste, öffnen Sie die Tür oder drehen Sie den Knopf, um den Vorgang abzubrechen.

Kühlen

Wenn die Temperatur im Inneren des Geräts am Ende des Garvorgangs zu hoch ist, laufen die Ofenbeleuchtung und das Kühlgebläse weiter und auf dem Display wird „COOL“ angezeigt. Das Gerät kehrt in den Standby-Modus zurück, wenn Sie „Stop/Clear/Eco“ drücken oder die Temperatur unter 140 °C liegt.

Stummmodus

- So aktivieren Sie den Stummmodus: Drücken Sie im Standby-Modus 2–3 Sekunden lang auf „Clock/Timer/On/Off“, „oFF“ wird angezeigt.
- Um den Stummmodus zu deaktivieren: Drücken Sie im Stumm-Modus 2–3 Sekunden lang auf „Clock/Timer/On/Off“, „on“ wird angezeigt.

DE

REINIGUNG

- Ziehen Sie den Netzstecker aus der Steckdose.
- Reinigen Sie die Garkammer nach Gebrauch mit einem leicht angefeuchteten Tuch.
- Reinigen Sie das Zubehör wie gewohnt in Seifenwasser.
- Der Türrahmen und die Dichtung sowie angrenzende Teile müssen bei Verschmutzung sorgfältig mit einem feuchten Tuch gereinigt werden.
- Verwenden Sie keine scharfen Scheuermittel oder scharfen Metallschaber, um das Glas der Ofentür zu reinigen, da diese die Oberfläche zerkratzen und das Glas beschädigen können.

TIPP: Zur leichteren Reinigung der Wände, die von Speisen berührt werden können: Eine halbe Zitrone in eine Schüssel geben, 300 ml Wasser hinzufügen und 10 Minuten bei 100 % Mikrowellenleistung erhitzen. Wischen Sie den Ofen mit einem weichen, trockenen Tuch ab.

UTENSILIEN

VORSICHT! Gefahr von Personenschäden:

- Alle Servicearbeiten, bei denen die Abdeckung entfernt wird, die einen Schutz gegen Mikrowellenenergie bietet, müssen von autorisierten Personen/Serviceleistungen durchgeführt werden. Jeder andere Ansatz ist gefährlich.
- Siehe die Anweisungen unter „Mikrowellentaugliche Materialien“ und „Materialien, die nicht mikrowellentauglich sind“. Es kann bestimmte nicht-metallische Utensilien geben, die nicht für die Mikrowelle geeignet sind. Im Zweifelsfall können Sie das betreffende Utensil wie folgt testen.

Utensilientest:

- Befüllen Sie einen mikrowellengeeigneten Behälter mit 1 Tasse kaltem Wasser (250 ml) zusammen mit dem betreffenden Utensil.
- 1 Minute bei maximaler Leistung in der Mikrowelle erhitzen.
- Fühlen Sie das Gerät vorsichtig an. Wenn das leere Utensil warm ist, verwenden Sie es nicht zum Garen in der Mikrowelle.

DE

MIKROWELLENTAUGLICHE MATERIALIEN

Utensilien	Hinweise
Bräunungsplatte	Beachten Sie die Herstellerangaben. Der Boden der Bräunungsplatte muss mindestens 5 mm über dem Drehteller stehen. Bei unsachgemäßer Verwendung kann der Drehteller brechen.
Essgeschirr	Nur mikrowellentaugliche Produkte. Beachten Sie die Herstellerangaben. Keine defekten oder zersplitterten Teile verwenden.
Glaskanne	Immer den Deckel abnehmen. Nur zum Aufwärmen verwenden. Die meisten Glaskannen sind nicht hitzebeständig und können brechen.
Glasware	Nur hitzebeständige Ofen-Glasware. Sicherstellen, dass kein Metallrand vorhanden sind. Keine defekten oder zersplitterten Teile verwenden.
Backofenbeutel	Beachten Sie die Herstellerangaben. Nicht mit Metallbindungen verschließen. Schlitz anbringen, damit Dampf entweichen kann.
Pappteller und -becher	Nur zum kurzzeitigen Kochen/Aufwärmen verwenden. Lassen Sie das Gerät während des Kochens nicht unbeaufsichtigt.
Papiertücher	Zum Abdecken von Speisen beim Erwärmen und Absorbieren von Fett. Nur unter Aufsicht für kurzzeitiges Kochen verwenden.
Backpapier	Als Abdeckung gegen Spritzer oder zur Verpackung beim Dünsten.
Plastik	Nur mikrowellentaugliche Produkte. Beachten Sie die Herstellerangaben. Sollte mit „Mikrowellensicher“ gekennzeichnet sein. Einige Plastikbehälter werden weich, wenn die Speisen im Inneren heiß werden. „Kochtaschen“ und dicht geschlossene Plastiktüten sollten geschlitzt, durchbohrt oder belüftet werden, wie auf der Packung beschrieben.
Plastikhüllen	Nur mikrowellentaugliche Produkte. Zum Abdecken der Speisen während des Garens, um Feuchtigkeit zu speichern. Die Folie darf nicht mit Lebensmitteln in Berührung kommen.
Thermometer	Nur mikrowellengeeignete (Fleisch- und Zuckerthermometer).
Wachspapier	Als Abdeckung verwenden, um Spritzer zu vermeiden und Feuchtigkeit zu speichern.

DE

MATERIALIEN, DIE NICHT MIKROWELLENTAUGLICH SIND

Utensilien	Hinweise
Aluminiumschale	Kann Lichtbögen verursachen. Die Speisen in eine mikrowellengeeignete Schale geben.
Nahrungskarton mit Metallgriff	Kann Lichtbögen verursachen. Die Speisen in eine mikrowellengeeignete Schale geben.
Utensilien aus Metall oder mit Metallkanten	Metall schirmt die Speisen vor Mikrowellenenergie ab. Metallkanten können Lichtbögen verursachen.
Metall-Drehbinder	Können Lichtbögen verursachen und einen Brand im Gerät verursachen.
Papierbeutel	Kann einen Brand im Gerät verursachen.
Kunststoffschaum	Kunststoffschaum kann schmelzen oder Flüssigkeiten im Inneren verunreinigen, wenn er hohen Temperaturen ausgesetzt wird.
Holz	Holz trocknet aus, wenn es in der Mikrowelle verwendet wird, und kann brechen oder reißen

FEHLERBEHEBUNG

Normal

Mikrowelle stört Fernsempfang	Der Rundfunk- und Fernsehempfang kann beim Betrieb der Mikrowelle gestört werden. Dies ähnelt den Störungen, die durch kleine Elektrogeräte wie Mixer, Staubsauger und Ventilatoren verursacht werden. Das ist normal.
Die Beleuchtung verdunkelt sich	Arbeitet die Mikrowelle mit geringer Leistung, kann sich die Beleuchtung verdunkeln. Das ist normal.
Dampf sammelt sich an der Tür, heiße Luft kommt aus den Belüftungsöffnungen	Beim Garen kann Dampf aus den Lebensmitteln austreten. Ein Großteil dieses Dampfs tritt aus den Belüftungsöffnungen aus. Etwas Dampf kann sich jedoch auch an einer kühlen Stelle, wie z. B. der Tür, ansammeln. Das ist normal.
Gerät versehentlich im Leerzustand gestartet	Das Gerät darf nicht im Leerzustand (ohne Lebensmittel) betrieben werden. Das ist sehr gefährlich.

Problem	Mögliche Ursache	Abhilfe
Das Gerät kann nicht gestartet werden.	(1) Das Netzkabel ist nicht richtig angeschlossen.	Netzstecker ziehen. Nach 10 Sekunden wieder einstecken.
	(2) Sicherung durchgebrannt oder Schutzschalter hat ausgelöst.	Sicherung austauschen oder Schutzschalter zurücksetzen (Reparatur durch Fachpersonal unseres Unternehmens)
	(3) Problem mit der Steckdose.	Steckdose mit anderen elektrischen Geräten testen.
Der Gerät erhitzt sich nicht.	Die Tür ist nicht geschlossen.	Schließen Sie die Tür.

DE



GARANTIE

Wilfa gewährt auf dieses Produkt 5 Jahre Garantie ab Kaufdatum. Die Garantie deckt Produktionsfehler oder Mängel ab, die während der Garantiezeit auftreten. Ihr Kaufbeleg dient als Nachweis gegenüber dem Händler, wenn Sie Ihre Garantie in Anspruch nehmen.

Die Garantie gilt nur für Produkte, die für Privathaushalte gekauft und dort verwendet werden. Die Garantie gilt nicht, wenn das Produkt gewerblich verwendet wird. Die Garantie gilt nicht bei unsachgemäßer oder fahrlässiger Verwendung, Nichtbefolgung der Anleitungen von Wilfa oder falls das Gerät modifiziert oder eine nicht-autorisierte Reparatur daran vorgenommen wurde. Die Garantie gilt auch nicht für normalen Verschleiß und Abnutzung des Produkts, fehlerhafte Verwendung, mangelhafte Pflege, Verwendung einer falschen elektrischen Spannung oder:

- Überlastung des Produkts
- Teile, die normal abgenutzt sind
- Teile, bei denen ein regelmäßiger Austausch zu erwarten ist (z. B. Filter, Batterie usw.)

DE

Die Gebrauchsanweisung finden Sie auch auf unserer Website wilfa.com

TECHNISCHE DATEN

Nennspannung:	220-240 V~50 Hz
Mikrowelleneingang:	1.300–1.400 W
Mikrowellenleistung:	850–900 W
Konvektion:	1.400–1.500 W

SUPPORT UND ERSATZTEILE

Support erhalten Sie auf **wilfa.com** und auf unserer Kundenservice-/Supportseite. Dort finden Sie Antworten auf häufig gestellte Fragen, Ersatzteile, Tipps und Tricks sowie alle unsere Kontaktdaten.

RECYCLINGFÄHIGKEIT



Diese Kennzeichnung weist darauf hin, dass das Produkt in der EU nicht über den Hausmüll entsorgt werden darf. Um mögliche Schäden für die Umwelt oder die menschliche Gesundheit durch unkontrollierte Abfallentsorgung zu vermeiden, recyceln Sie das Gerät verantwortungsvoll. Sie fördern so die nachhaltige Wiederverwendung von Materialressourcen. Um Ihr Altgerät zurückzugeben, nutzen Sie bitte eines der Rückgabe- und Sammelsysteme oder wenden Sie sich an den Händler, bei dem das Produkt gekauft wurde. Dort kann das Produkt kostenlos für ein umweltfreundliches Recycling zurückgenommen werden.

DE



BEYOND EXPECTATIONS

