



NATURE

HU-400WW

-
- | | |
|---------------------------|----------------------------------|
| EN · Instruction manual | NL · Instructies |
| NO · Bruksanvisning | PL · Instrukcje |
| SE · Bruksanvisning | FR · Instructions |
| DK · Betjeningsvejledning | IT · Manuale di istruzioni |
| FI · Käyttöohje | ES · Manual de instrucciones |
| DE · Anleitung | RU · Руководство по эксплуатации |

READ ALL INSTRUCTIONS BEFORE USE

EN

LES ALLE ANVISNINGER FØR BRUK

NO

LÄS IGENOM ALLA INSTRUKTIONER INNAN PRODUKTEN ANVÄNDS

SE

LÆS ALLE VEJLEDNINGER INDEN BRUG

DK

LUE OHJEET HUOLELLISESTI ENNEN KÄYTTÖÄ

FI

LESEN SIE DIE ANLEITUNG VOR DEM GEBRAUCH GRÜNDLICH DURCH

DE

LEES VÓÓR GEBRUIK ALLE INSTRUCTIES

NL

PRZED UŻYCIEM ZAPOZNAĆ SIĘ ZE WSZYSTKIMI ZALECENIAMI

PL

PRENEZ CONNAISSANCE DE TOUTES LES INSTRUCTIONS AVANT UTILISATION

FR

LEGGERE TUTTE LE ISTRUZIONI PRIMA DELL'USO

IT

LEA TODAS LAS INSTRUCCIONES ANTES DE USAR

ES

ПЕРЕД ИСПОЛЬЗОВАНИЕМ ПРОЧИТИТЕ ВСЕ ИНСТРУКЦИИ

RU

CONTENTS

4	IMPORTANT SAFETY INSTRUCTIONS
9	PRODUCT OVERVIEW
10	BEFORE USE
11	USE
12	TROUBLESHOOTING
14	MAINTENANCE
16	GUARANTEE
17	PRODUCT SPECIFICATIONS
17	SUPPORT AND SPARE PARTS
17	RECYCLABILITY

IMPORTANT SAFETY INSTRUCTIONS

- Please follow all the safety precautions listed below for safety and to reduce the risk of injury or electrical shock.
- This humidifier can be used by children aged from 8 years and above and persons with reduced physical, sensory or mental capabilities or lack of experience and knowledge if they have been given supervision or instruction concerning use of the humidifier in a safe way and understand the hazards involved. Children shall not play with the humidifier. Cleaning and user maintenance shall not be made by children without supervision.
- Before using this humidifier ensures that the voltage of your electricity supply is the same as that indicated on the rating plate of the humidifier.
- Always place the humidifier on a hard, flat and level surface. Avoid exposure to direct sunlight and always keep it away from walls and heat sources such as stoves, radiators, etc. **Warning:** The humidifier may not work correctly if it is not placed on a level surface.
- Do not insert or remove the electric plug on the humidifier with wet hands.

- If the mains cable is damaged it must be replaced by the manufacturer, its service agent, or similarly qualified person in order to avoid a hazard.
- To reduce the risk of electric shock, do not remove screws. The humidifier does not contain any user-serviceable parts. Please leave all maintenance work to qualified personnel.
- Fill the water tank with fresh, distilled or demineralized water. Do not drop any other liquid into water tank or main base. Do not run the humidifier when there is no water in the water tank.
- Do not shake the humidifier as this might cause the water spill over into the base of humidifier.
- Never touch the water or components while the humidifier is in operation.
- If there is an unusual smell when it is being used as described in this manual, switch the humidifier off, unplug it and have it examined by your dealer.
- Do not pour hot water into the water tank, i.e. at a temperature in excess of 40°C.
- Do not immerse the humidifier or the mains cable or plug in water or other liquids.

- Never scrape the transducer with a hard tool. The humidifier must be cleaned regularly. To do this, refer to the cleaning instructions in this manual.
- If you spill any liquid into the humidifier, it can cause serious damage. Switch it off at the mains immediately. Withdraw the mains plug and consult your dealer.
- Disconnect the humidifier from the power supply when not in use and before cleaning.
- Ensure that the mains cable does not touch any hot surface and that it does not overhang a table edge.
- Never use this humidifier in a room where aerosol products (sprays) are used or in a room or where oxygen is being administered.
- Do not put items of clothing or towels on top of the humidifier. If the nozzle is obstructed, this may cause the humidifier to malfunction.
- When moving the humidifier, lift it by the base and not by the water tank.
- Do not use the humidifier if the air in the room is already sufficiently humid.

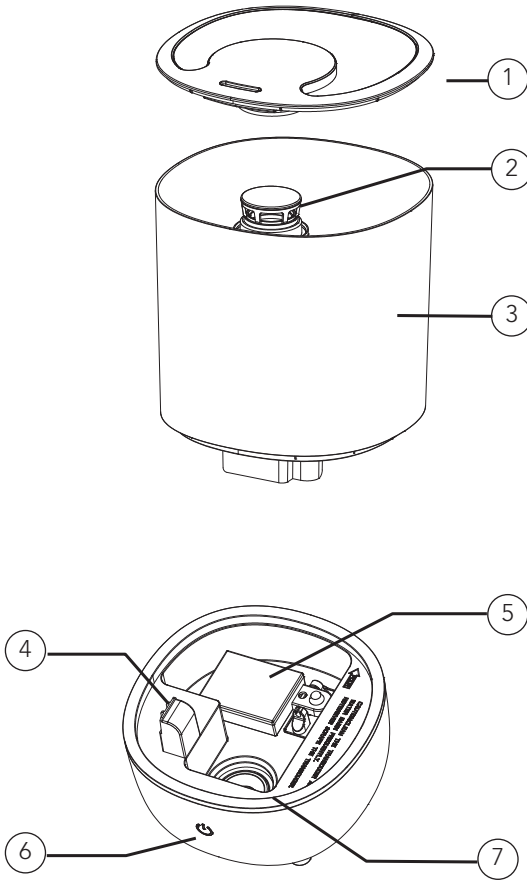
- The ideal relative humidity level for human comfort is in fact between 45% and 65%. Excess humidity shows up in the form of condensation on cold surfaces or cold walls in the room. To measure the room's humidity correctly, use a hygrometer available in most specialist shops and hypermarkets.
- This product is intended for indoor, non-industrial, non-commercial, household use only.
- Unplug the appliance during filling and cleaning.
- Do not permit the area around the humidifier to become damp or wet. If dampness occurs, turn the output of the humidifier down. If the humidifier output volume cannot be turned down, use the humidifier intermittently. Do not allow absorbent materials, such as carpeting, curtains, drapes, or tablecloths, to become damp.
- Never leave water in the reservoir when the appliance is not in use.
- Empty and clean the humidifier before storage. Clean the humidifier before next use.

EN

- Micro-organisms that may be present in the water or in the environment where the appliance is used or stored, can grow in the water reservoir and be blown in the air causing very serious health risks when the water is not renewed, and the tank is not cleaned properly every 3 days.
- Never leave water in the reservoir when the appliance is not in use.
- Clean the water every three days.



PRODUCT OVERVIEW



- 1. Top cover
- 2. Fog cover
- 3. Water tank
- 4. Air outlet

- 5. Buoy
- 6. Button
- 7. Transducer PCB

BEFORE USE

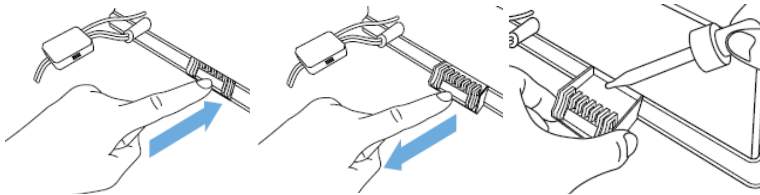
- Put the humidifier in the room 30 minutes before starting it.
- It is recommended to use the humidifier when the temperature is under 20°C, and the relative humidity is less than 80%RH.
- Use clear water not over 40°C.
- Check the water tank, make sure it is clear.
- Place the humidifier on a flat surface.

WATER FILTER

- Ceramic balls can soften the hard water.
- Ceramic filter can eliminate the strange smell in the water.

AROMA BOX

1. Press out aroma box from the base.
2. Use water-soluble aroma oil and drop on to the sponge.
3. Put the aroma box back into the humidifier, the aroma function will remain on when the humidifier is running.
4. To stop the aroma function or when storing the humidifier, clean the sponge in the aroma box.
5. Only drop aroma oil into aroma cotton. Do not drop any liquid except clean water into water tank or basin.



USE

- Fill the water into the water tank from the top cover. Or take out the water tank and fill water directly into the water tank. Afterwards put the water tank back on the main base.
- Check if the rated voltage meets the input voltage and plug into the socket. Humidifier will go into standby mode.
- Touch the ON/OFF button, if the water tank is empty, the button will be red. Touch the button again and the humidifier will turn off.
- If there is enough water in the water tank, and you press the button, the humidifier works in the lowest speed with button showing purple. If you touch the button again the humidifier will increase the speed, and the button turns green. At the third touch the humidifier starts in the highest speed, and the button turns blue. Press one more time to turn the humidifier off. There is a total of 3 speeds.
- Each time you touch the button it will beep. When the water tank is empty, the humidifier will make 3 beeps as a warning, the button will turn red, and the humidifier will stop working. Refill the water tank, touch the button, and it will restart.
- When the humidifier is on, do not lift the water tank up from the main base, this will turn the humidifier off. Put the water tank back, and the humidifier will work in previous mode.

TROUBLESHOOTING

Problem	Possible reasons	Solutions
Power lamp is off when switched on.	Humidifier is not plugged in.	Plug the humidifier into a powered electrical socket.
	Power cord is damaged.	Immediately stop using it and contact Customer Support.
	Humidifier is defective or malfunctioning.	Press the power button to turn it on.
Power lamp is on when switched on, but no mist comes out.	Humidifier is not turned on.	Press the power button to turn it on.
	The target humidity is reached.	Increase the target humidity or change mode.
Water shortage indicator is on.	No water in the tank.	Refill the water tank wait at least 1 minute.
	Water level is low.	
	The water level required has not yet reached the vaporization compartment.	Wait at least 1 minute.
	The water tank isn't well positioned.	Check the positioning of tank on the base.
	The humidifier isn't on a flat surface	Check the positioning of the humidifier.
Humidifier produces an unusual smell	Humidifier is new.	Take out water tank, open cover, let it stay 12 hours in cool position.
	Dirty water or water sitting too long.	Clean water tank, fill with clear water.
	Residual smell from diffusing aroma oil on the aroma cotton.	Remove the aroma cotton, rinse it under clean water and allow it to dry.

Humidifier makes a loud or unusual sound.	Resonant in water tank when water is too low.	Fill water into water tank.
	Humidifier is on an unstable surface.	Move the humidifier to a stable flat surface.
	Water tank is positioned incorrectly.	Turn off and unplug the humidifier, then align the water tank cover with its respective opening in the inner chamber.
	Humidifier is malfunctioning.	Immediately discontinue use and contact Customer Support.
The humidification capacity is too low.	There is natural or artificial air replacement in the room which interfere the increase of %RH.	Check if doors and windows are closed. Check if there is no air conditioning working in the room.
	The air inlet grids, and nozzle could be blocked.	Remove any blocking items from the grids and the nozzle.
	Too much scale in the main base or water tank.	Clean transducer.
	The humidity selected rate is too low.	Increase mist output speed. Increase humidity setting rate.
	Water is too dirty, or water is kept too long in the tank.	Clean water tank, change to fresh clear water.
	There is condensation in the room.	The room temperature is too low.
The mist suddenly stops coming out.	The water shortage indicator is on.	Refill water tank.
Control button does not work	Hands are too wet when operating control panel.	Keep hands dry while operating the control panel.
	Humidifier has malfunctioned.	Contact Customer Support.

White dust appears around the humidifier.	Water being used has a high mineral content.	Use distilled water with the humidifier. If distilled water is not available, use purified or filtered water.
	Humidifier was not properly cleaned after last use.	Clean humidifier.
Mist is coming out from the base.	Water tank is not positioned correctly.	Turn off and unplug the humidifier, then align the water tank cover with its respective opening in the inner chamber.
Mist fog coming out from around nozzle.	There are apertures between the nozzle and water tank.	Reposition the cover and check if the nozzle is well plugged in the cover.

The following is not considered faulty operation:

- If your water is very hard (containing abnormally high levels of minerals) the humidifier may produce white dust. This is not a malfunction. The solution would be to clean the filter more often or use softer water.
- If you stand very close to the humidifier, you will hear the gurgling sound of water. This is normal.
- The humidifier operates very quietly but it is not completely silent. Noise levels less than 35dB(A) is considered normal.

MAINTENANCE

If the water is hard, meaning that the water contains too much calcium and magnesium, it can cause a "white powder" problem and leave heavy scales on the inner surface of the main base, transducer and inner surface of the water tank. Scales on the surface of transducer will let the humidifier work improperly.

Use cold boiled water or distilled water.

Empty the tank and refill every third day. Before refilling, clean it with fresh tap water or cleaning agents if required by the manufacture. Remove any scale, deposits, or film that has formed on the sides of the tank or on interior surfaces and wipe all surfaces dry.

Empty and clean the humidifier before storage. Clean the humidifier before next use.

HOW TO CLEAN THE TRANSDUCER

- Clean with clean water of citric acid if there is scale in it.
- Brush off the scale from the surface.
- Rinse the transducer with clean water.

HOW TO CLEAN THE BASE

- Clean the inner surface of the main base with a soft cloth or use citric acid if there is scale in it.
- If the scale covers the security switch, drop some citric acid on it and let it sit for 2-5 minutes on the scale and clean it with a brush.
- Rinse the water tank with clean water.

HOW TO CLEAN THE CERAMIC FILTER

- Clean and activate the ceramic ball after using 1000L water. Depending on the water quality. If the ceramic ball is dirty it needs to be cleaned more frequently.
- It can be dipped into vinegar for 5 minutes, then rinse it with water.
- Put the filter under the sun for 4-6 hours to dry, over over night.



GUARANTEE

Wilfa issues a 5 year guarantee on this product from the day of purchase is done. The guarantee covers production failure or defects that arise during the guarantee period. Your purchase receipt works as proof towards retailer if claiming your guarantee.

The guarantee is valid only for products that are bought and used in private households. The guarantee is not valid if the product is used commercially. The guarantee is not valid if the product is misused, used by negligence, if not following instructions given by Wilfa, if modified or if unauthorized reparation is done. The guarantee is also not valid for normal wear of the product, misuse, lack of maintenance, use of wrong electrical voltage or:

- Not descaled according to instruction manual
- Overloading of product
- Parts which are normally worn down
- Parts you can expect being replaced regularly (e.g. filter, battery etc.)

PRODUCT SPECIFICATIONS

220 V~240 V~50/60 Hz

4L


300ml/H

SUPPORT AND SPARE PARTS

For support please visit us at **wilfa.com**, and see our customer service/support page. Here you will find frequently asked questions, spare parts, tips and tricks and all our contact information.

RECYCLABILITY



This marking indicates that this product should not be disposed with other household wastes throughout the EU. To prevent possible harm to the environment or human health from uncontrolled waste disposal,  recycle it responsibly to promote the sustainable reuse of material resources. To return your used device, please use the return and collection systems or contact the retailer where the product was purchased. They can take this product for environmentally safe recycling free of charge.

NO

INNHold

20	VIKTIGE SIKKERHETSANVISNINGER
25	PRODUKTOVERSIKT
26	FØR BRUK
27	BRUK
28	FEILSØKING
30	VEDLIKEHOLD
32	GARANTI
33	PRODUKTSPEKIFIKASJONER
33	SUPPORT OG RESERVEDELER
33	GJENVINNING

NO

VIKTIGE SIKKERHETSANVISNINGER

- Følg alle sikkerhetsanvisningene nedenfor for å redusere risikoen for personskade eller elektrisk støt.
- Denne luftfukteren kan brukes av barn fra 8 år og oppover, samt personer med nedsatte fysiske, sansemessige eller mentale evner, eller mangel på erfaring og kunnskap, hvis de er under tilsyn eller har fått anvisninger om sikker bruk av luftfukteren og er klar over farene forbundet med bruken. Ikke la barn leke med luftfukteren. Rengjøring og vedlikehold skal ikke utføres av barn uten tilsyn.
- Før du bruker denne luftfukteren må du sikre at spenningen i strømforsyningen er den samme som er angitt på luftfukterens typeskilt.
- Sett alltid luftfukteren på et fast, flatt og jevnt underlag. Unngå eksponering for direkte sollys, og hold den alltid borte fra vegger og varmekilder som komfyrer, radiatorer osv. **Advarsel:** Det kan hende luftfukteren ikke fungerer som den skal hvis den ikke står på et jevnt underlag.
- Ikke sett inn eller ta ut støpselet på luftfukteren med våte hender.

- Hvis strømledningen er ødelagt må den skiftes av produsenten, en servicetekniker eller lignende kvalifisert person for å unngå farlige situasjoner.
- For å redusere faren for elektrisk støt, må du ikke fjerne skruene. Luftfukteren inneholder ingen deler som kan repareres av brukeren. Overlat alt vedlikeholdsarbeid til kvalifisert personell.
- Fyll beholderen med friskt, destillert eller demineralisert vann. Ikke hell annen væske i vannbeholderen eller vannkummen. Ikke kjør luftfukteren uten vann i beholderen eller vannkummen.
- Ikke rist luftfukteren, da det kan føre til at vann renner over i bunnen av luftfukteren.
- Berør aldri vannet eller komponentene mens luftfukteren er i drift.
- Hvis det lukter unormalt når luftfukteren brukes som beskrevet i denne bruksanvisningen, må du slå den av, trekke ut støpselet og få luftfukteren undersøkt av forhandleren.
- Ikke hell varmt vann i beholderen, dvs. ved en temperatur over 40 °C.
- Luftfukteren, strømledningen eller støpselet må ikke senkes i vann eller annen væske.

NO

- Skrap aldri vannforstøveren med et hardt verktøy. Luftfukteren må rengjøres regelmessig. Les rengjøringsanvisningene i denne bruksanvisningen for mer informasjon.
- Hvis du søler væske i luftfukteren, kan det føre til alvorlig skade. Slå av strømmen umiddelbart. Trekk ut støpselet og kontakt forhandleren.
- Koble luftfukteren fra strømforsyningen når den ikke er i bruk og før rengjøring.
- Pass på at strømledningen ikke kommer i kontakt med varme overflater, og at den ikke henger over bordkanter.
- Bruk aldri denne luftfukteren i et rom hvor det brukes aerosolprodukter (spray) eller i et rom hvor det administreres oksygen.
- Ikke legg klær eller håndklær oppå luftfukteren. Hvis dysen er tett, kan det føre til funksjonsfeil på luftfukteren.
- Når du flytter luftfukteren, må du løfte den i sokkelen og ikke i vannbeholderen.
- Ikke bruk luftfukteren hvis luften i rommet allerede er tilstrekkelig fuktig.

- Det ideelle relative fuktighetsnivået for menneskelig komfort er mellom 45 % og 65 %. Overflødig fuktighet vises i form av kondens på kalde overflater eller kalde vegger i rommet. Bruk et hygrometer som er tilgjengelig i de fleste spesialbutikker og varehus for å måle rommets fuktighet på riktig måte.
- Produktet er kun beregnet for innendørs husholdningsbruk. Ikke industriell eller kommersiell bruk.
- Trekk ut støpselet til apparatet under fylling og rengjøring.
- Ikke la området rundt luftfukteren bli fuktig eller vått. Hvis det oppstår fuktighet, reduser luftfukterens utgangseffekt. Hvis luftfukterens utgangseffekt ikke kan reduseres, må du bruke luftfukteren i intervaller. Ikke la absorberende materialer som tepper, gardiner, draperier eller duker bli fuktige.
- La det aldri være vann i beholderen når luftfukteren ikke er i bruk.
- Tøm og rengjør luftfukteren før oppbevaring. Rengjør luftfukteren før neste bruk.

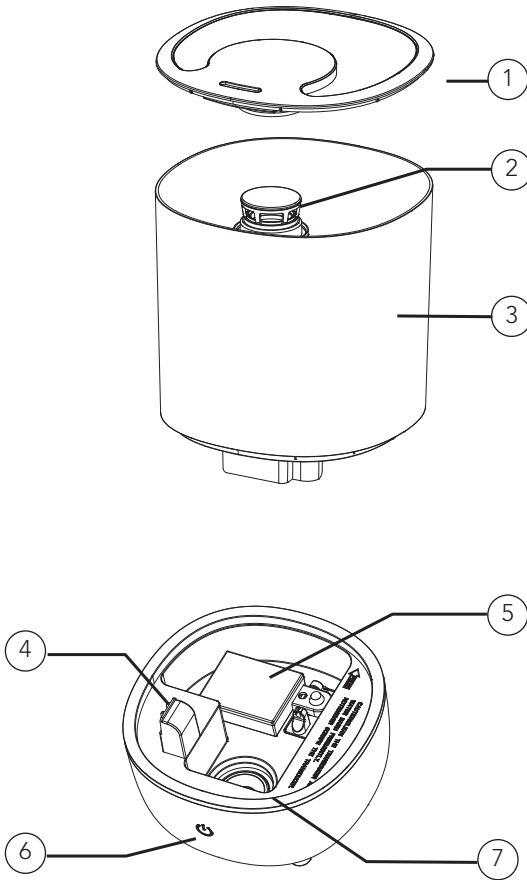
NO

- Mikroorganismer som kan finnes seg i vannet eller i miljøet der apparatet brukes eller oppbevares, kan vokse i vannbeholderen og blåses ut i luften og dermed forårsake alvorlig helsefare når vannet ikke fornyes og beholderen ikke rengjøres skikkelig hver tredje dag.
- La det aldri være vann i beholderen når luftfukteren ikke er i bruk.
- Skift ut vannet hver tredje dag.



PRODUKTOVERSIKT

NO



1. Toppdeksel
2. Dampdeksel
3. Vannbeholder
4. Luftuttak

5. Flottør
6. Knapp
7. Vannforstøver

NO

FØR BRUK

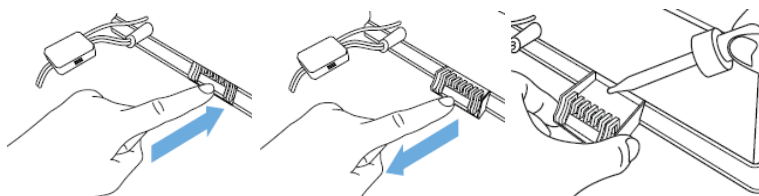
- Sett luftfukteren i rommet 30 minutter før du starter den.
- Det anbefales å bruke luftfukteren når temperaturen er under 20 °C og den relative fuktigheten er under 80 % RF.
- Bruk rent vann med temperatur under 40 °C.
- Kontroller vannkummen og sørg for at den er klar.
- Sett luftfukteren på et flatt underlag.

VANNFILTER

- Keramiske kuler kan myke opp hardt vann.
- Keramisk filter kan fjerne merkelig lukt i vannet.

AROMABOKS

1. Press ut aromaboksen fra sokkelen.
2. Bruk vannløselig aromaolje og drypp den på svampen.
3. Sett aromaboksen tilbake i luftfukteren, aromafunksjonen vil fortsatt være på når luftfukteren kjører.
4. For å stoppe aromafunksjonen eller ved oppbevaring av luftfukteren, rengjør du svampen i aromaboksen.
5. Du må bare helle aromaolje på en aromatisk bomullspinne. Hell kun rent vann i vannbeholderen eller vannkummen.



BRUK

- Fyll vannbeholderen fra toppdekslet. Eller ta ut vannbeholderen og fyll den med vann. Sett deretter vannbeholderen tilbake på sokkelen.
- Kontroller om den nominelle spenningen oppfyller inngangsspenningen og sett støpselet i stikkontakten. Luftfukteren går i standbymodus.
- Trykk på ON/OFF-knappen. Hvis vannbeholderen er tom, vil knappen lyse rødt. Trykk på knappen igjen, og luftfukteren slås av.
- Hvis du trykker på knappen når det er tilstrekkelig med vann i vannbeholderen, kjører luftfukteren på laveste hastighet og knappen lyser lilla. Hvis du trykker på knappen igjen, økes hastigheten og knappen lyser grønt. Ved tredje knappetrykk starter luftfukteren på høyeste hastighet, og knappen lyser blått. Trykk en gang til for å slå av luftfukteren. Det er totalt 3 hastigheter.
- Luftfukteren avgir et pipesignal hver gang du trykker på knappen. Når vannbeholderen er tom, vil luftfukteren avgi 3 pipesignaler som en advarsel, knappen lyser rødt og luftfukteren vil stoppe helt. Fyll vannbeholderen, trykk på knappen, og den vil starte på nytt.
- Når luftfukteren er på, må du ikke løfte vannbeholderen opp fra sokkelen. Dette vil slå av luftfukteren. Sett vannbeholderen på plass, og luftfukteren vil kjøre i forrige modus.

NO

FEILSØKING

NO

Problem	Mulige årsaker	Løsninger
Strømlampen er av når den er slått på.	Luftfukteren er ikke tilkoblet.	Koble luftfukteren til et strømuttak.
	Strømledningen er skadet.	Avbryt bruken umiddelbart og ta kontakt med kundeservice.
	Luftfukteren er defekt eller fungerer ikke som den skal.	Trykk på On/Off-knappen for å slå den på.
Strømlampen er på når den er slått på, men det kommer ikke ut damp.	Luftfukteren er ikke slått på.	Trykk på On/Off-knappen for å slå den på.
	Fuktighetsnivået er nådd.	Øk fuktighetsnivået eller bytt modus.
Vannmangel-indikatoren lyser.	Ikke vann i beholderen.	Fyll opp vannbeholderen og vent i minst 1 minutt.
	Vannivået er lavt.	
	Anbefalt vannivå har ennå ikke nådd fordampningskammeret.	Vent i minst 1 minutt.
	Vannbeholderen er ikke riktig plassert.	Kontroller om beholderen er riktig plassert på sokkelen.
	Luftfukteren står ikke på et flatt underlag	Kontroller om beholderen er riktig plassert.
Luftfukteren produserer en uvanlig lukt	Luftfukteren er ny.	Ta ut vannbeholderen, åpne dekselet og la den stå slik i 12 timer.
	Skittent vann eller vann som har ligget for lenge i beholderen.	Rengjør vannbeholderen, fyll den med rent vann.
	Restlukt fra aromaolje på aromabomullen.	Fjern aromabomullen, skyll den under rent vann og la den tørke.

Luftfukteren lager en høy eller uvanlig lyd.	Resonans i vannbeholderen når vannivået er for lavt.	Fyll vann i vannbeholderen.
	Luftfukteren står på et ustabil underlag.	Plasser luftfukteren på et stabilt og flatt underlag.
	Vannbeholderen er ikke riktig plassert.	Slå av og trekk ut støpselet til luftfukteren, og sett lokket på vannbeholderen på linje med åpningen i det innvendige kammeret.
	Luftfukteren fungerer ikke som den skal.	Avbryt bruken umiddelbart og ta kontakt med kundeservice.
Fuktighetskapasiteten er for lav.	Det er naturlig eller kunstig luftutskifting i rommet som forstyrrer økningen av % RF.	Kontroller om dører og vinduer er lukket. Kontroller at et eventuelt klimaanlegg i rommet ikke kjører.
	Luftinntaksgitrene og dysen kan være blokkert.	Fjern eventuelle blokkeringer fra gitrene og dysen.
	For mye kalk i vannkummen.	Rengjør vannforstøveren.
	Valgt fuktighetshastighet er for lav.	Øk dampens utgangshastighet. Øk fuktighetsinnstillingen.
	Vannet er skittent eller har ligget for lenge i beholderen.	Rengjør vannbeholderen, fyll på friskt og rent vann.
	Det er kondens i rommet.	Romtemperaturen er for lav.
Dampen slutter plutselig å komme ut.	Vannmangelindikatoren lyser.	Fyll vannbeholderen.
Betjeningsknapp fungerer ikke	Hendene er våte når du bruker betjeningspanelet.	Hendene må være tørre når du bruker betjeningspanelet.
	Luftfukteren fungerer ikke som den skal.	Ta kontakt med kundeservice.

NO

NO

Det ligger hvitt støv rundt luftfukteren.	Vannet som brukes har høyt mineralinnhold.	Bruk destillert vann med luftfukteren. Hvis destillert vann ikke er tilgjengelig, kan du bruke renset eller filtrert vann.
	Luftfukteren ble ikke skikkelig rengjort etter siste bruk.	Rengjør luftfukteren.
Det kommer damp ut av sokkelen.	Vannbeholderen er ikke riktig plassert.	Slå av og trekk ut støpselet til luftfukteren, og sett lokket på vannbeholderen på linje med åpningen i det innvendige kammeret.
Det kommer damp ut av dysen.	Det er åpninger mellom dysen og vannbeholderen.	Sett på dekselet igjen og kontroller at dysen sitter godt fast i dekselet.

Følgende anses ikke som feildrift:

- Hvis vannet er svært hardt (med unormalt høye mineralnivåer), kan luftfukteren produsere hvitt støv. Dette er ikke en funksjonsfeil. Løsningen vil være å rengjøre filteret oftere eller bruke mykere vann.
- Hvis du står svært nær luftfukteren, hører du en gurglelyd av vann. Dette er normalt.
- Luftfukteren er svært stillegående, men er ikke helt stille. Støynivåer under 35 dB(A) anses som normalt.

VEDLIKEHOLD

Hvis vannet er hardt som betyr at vannet inneholder for mye kalsium og magnesium, kan det forårsake et «hvitt pulver»-problem som etterlater kalkavleiringer på overflaten av vannkummen, vannforstøveren og i vannbeholderen. Kalk på vannforstøveren vil føre til at luftfukteren ikke fungerer som den skal.

Bruk kaldt, kokt vann eller destillert vann.

Tøm beholderen og fyll på hver tredje dag. Før etterfylling må den rengjøres med rent vann fra springen eller rengjøringsmidler hvis produsenten krever det. Fjern kalk, avleiringer eller film som har dannet seg på utsiden eller innsiden av beholderen, og tørk av alle overflater.

Tøm og rengjør luftfukteren før oppbevaring. Rengjør luftfukteren før neste bruk.

SLIK RENGJØR DU VANNFORSTØVEREN

- Rengjør med rent vann og sitronsyre hvis det er kalk i den.
- Børst av kalken fra overflaten.
- Skyll vannforstøveren med rent vann.

SLIK RENGJØR DU VANNKUMMEN

- Rengjør vannkummen med en myk klut, eller bruk sitronsyre hvis det er kalkavleiringer i den.
- Hvis kalken dekker sikkerhetsbryteren, drypp litt sitronsyre på den og la den sitte i 2–5 minutter, og rengjør deretter med en børste.
- Skyll vannbeholderen med rent vann.

SLIK RENGJØR DU KERAMISK FILTER

- Rengjør og aktiver den keramiske kulen etter et totalforbruk på 1000 liter vann. Avhengig av vannkvaliteten. Hvis den keramiske kulen er skitten, må den rengjøres oftere.
- Den kan dyppes i eddik i 5 minutter, og deretter skylles med vann.
- La filteret tørke i solen i 4–6 timer, eller la det tørke over natten.

NO



GARANTI

Wilfa gir 5 års garanti på dette produktet fra kjøpsdatoen. Garantien dekker produksjonsfeil eller defekter som oppstår i garantiperioden. Kjøpskvitteringen fungerer som bevis overfor forhandleren ved eventuelle garantikrav.

Garantien er kun gyldig for produkter som er kjøpt og brukt i privathusholdning. Garantien gjelder ikke hvis produktet brukes kommersielt. Garantien er ikke gyldig hvis produktet misbrukes, ved uaktsom bruk eller hvis du ikke følger instruksjonene fra Wilfa, eller ved uautoriserte modifiseringer og reparasjoner. Garantien dekker heller ikke normal bruksslitasje på produktet, misbruk, mangel på vedlikehold, bruk av feil elektrisk spenning eller:

- Ikke avkalket i henhold til bruksanvisningen
- Overbelastning av produktet
- Vanlige slitedeler
- Deler som må skiftes ut regelmessig (f.eks. filter, batteri osv.)

PRODUKTSPEKIFIKASJONER

220 V~240 V~50/60 Hz

4L

300ml/H

NO

SUPPORT OG RESERVEDELER

For support, besøk **oss på wilfa.no**, og se vår kundeservice/supportside. Her finner du vanlige spørsmål, reservedeler, tips og triks, samt all kontaktinformasjon.

GJENVINNING



Dette merket betyr at produktet ikke må deponeres med vanlig husholdningsavfall i EØS-området. For å unngå skade på miljø og mennesker, er det viktig at dette produktet gjenvinnes. Lever produktet til en miljøstasjon eller ta kontakt med butikken der du kjøpte det. De kan ta seg av produktet for gjenvinning helt kostnadsfritt.

SE

INNEHÅLL

36	VIKTIGA SÄKERHETSANVISNINGAR
41	PRODUKTÖVERSIKT
42	FÖRE ANVÄNDNING
43	ANVÄNDNING
44	FELSÖKNING
47	UNDERHÅLL
48	GARANTI
49	PRODUKTSPECIFIKATIONER
49	SUPPORT OCH RESERVDELAR
49	ÅTERVINNINGSBARHET

VIKTIGA SÄKERHETSANVISNINGAR

SE

- Följ alla säkerhetsföreskrifter nedan för säker användning och för att minska risken för personskador och elstötar.
- Luftfuktaren kan användas av barn från 8 års ålder och av personer med nedsatt fysisk, sensorisk eller mental förmåga, samt av personer med bristande erfarenhet och kunskap, om de övervakas eller har instruerats i säker användning av produkten och förstår riskerna förknippade med den. Låt aldrig barn leka med apparaten. Rengöring och underhåll får inte utföras av barn utan övervakning.
- Säkerställ att nätspänningen i eluttaget stämmer överens med märkspänningen på apparaten.
- Placera alltid luftfuktaren på en hård, plan och jämn yta. Undvik exponering för direkt solljus och håll den alltid borta från väggar och värmekällor som t.ex. spisar, element osv. **Varning:** Luftfuktaren riskerar att inte fungera korrekt om den inte placeras på en plan yta.
- Kontakten får aldrig sättas i eller dras ut med fuktiga händer.

- Om elkabeln är skadad måste den av säkerhetsskäl bytas ut av tillverkaren, dennes servicerepresentant eller motsvarande.
- För att minska risken för elstötar ska du inte ta bort skruvarna. Luftfuktaren innehåller inga delar som kan repareras av användaren. Allt underhållsarbete ska utföras av kvalificerad person.
- Fyll tanken med färskt, destillerat eller avmineraliserat vatten. Häll inte någon annan vätska i vattentråget eller vattenbehållaren. Ha inte luftfuktaren i drift utan vatten i behållaren eller tråget.
- Skaka inte luftfuktaren eftersom detta kan orsaka att vatten kommer in i luftfuktarens bas.
- Vidrör aldrig vattnet eller komponenter när luftfuktaren är i drift.
- Om det luktar konstigt när luftfuktaren används enligt instruktionerna i den här bruksanvisningen ska du stänga av luftfuktaren, dra ut kontakten och låta din återförsäljare undersöka den.
- Häll inte vatten över 40 °C i tanken.

SE

- Sänk inte ned luftfuktaren, nätkabeln eller kontakten i vatten eller andra vätskor.
- Skrapa aldrig givaren med hårt föremål. Luftfuktaren måste rengöras regelbundet. Följ anvisningarna för detta i den här instruktionsboken.
- Om du spiller vätska in i luftfuktaren kan det orsaka allvarliga skador. Stäng omedelbart av den med nätströmbrytaren. Dra ut nätkontakten och kontakta din återförsäljare.
- Koppla bort luftfuktaren från strömförsörjningen när den inte används och före rengöring.
- Se till att nätkabeln inte vidrör någon het yta och att den inte hänger över någon bordskant.
- Använd aldrig luftfuktaren i rum där aerosolprodukter (sprayer) används eller i rum där syrgas administreras.
- Lägg inte kläder eller handdukar ovanpå luftfuktaren. Om munstycket är igensatt kan det leda till att luftfuktaren inte fungerar som den ska.
- När du flyttar luftfuktaren ska du lyfta den i basen och inte i vattenbehållaren.
- Använd inte luftfuktaren om luften i rummet redan är tillräckligt fuktig.

- Den idealiska relativa luftfuktigheten för mänsklig komfort ligger på mellan 45 % och 65 %. För hög luftfuktighet visar sig i form av kondens på kalla ytor eller kalla väggar i rummet. Använd en fuktmätare som finns i de flesta specialbutiker och stormarknader för att mäta luftfuktigheten i rummet på rätt sätt.
- Apparaten är endast avsedd att användas inomhus och för hemmabruk. Den är inte avsedd för masstillverkning eller kommersiell användning.
- Koppla bort apparaten under påfyllning och rengöring.
- Låt inte området runt luftfuktaren bli fuktigt eller vått. Om fukt uppstår ska luftfuktarens effekt sänkas. Om luftfuktarens effekt inte kan minskas, använd luftfuktaren i perioder. Låt inte absorberande material som mattor, gardiner, gardiner eller dukar bli fuktiga.
- Lämna aldrig kvar vatten i behållaren när apparaten inte används.
- Töm och rengör luftfuktaren före förvaring. Rengör luftfuktaren före nästa användning.

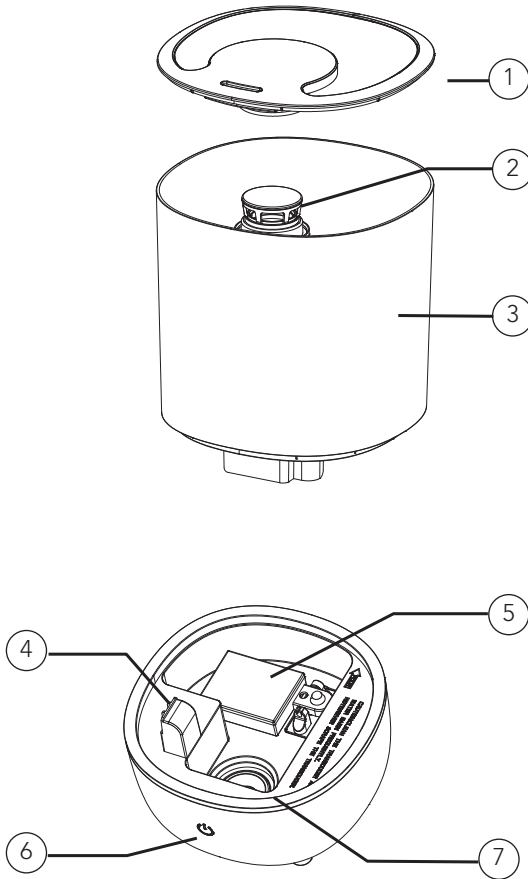
SE

SE

- Mikroorganismer som kan finnas i vattnet eller nära där apparaten används eller förvaras kan växa i vattenbehållaren och blåsas ut i luften, vilket orsakar mycket allvarliga hälsorisker när vattnet inte förnyas och tanken inte rengörs ordentligt var tredje dag.
- Lämna aldrig kvar vatten i behållaren när apparaten inte används.
- Rengör vattenbehållaren var tredje dag.



PRODUKTÖVERSIKT



SE

- | | | | |
|----|-----------------|----|------------|
| 1. | Lock | 5. | Flottör |
| 2. | Dimskydd | 6. | Knapp |
| 3. | Vattenbehållare | 7. | Givare PCB |
| 4. | Luftutsläpp | | |

FÖRE ANVÄNDNING

- Placera luftfuktaren i rummet 30 minuter innan den ska startas.
- Vi rekommenderar att luftfuktaren används när temperaturen är under 20 °C och den relativa luftfuktigheten är lägre än 80 % RH.
- Använd rent vatten som är högst 40 grader varmt.
- Kontrollera vattenbehållaren och se till att den är ren.
- Placera luftfuktaren på en plan yta.

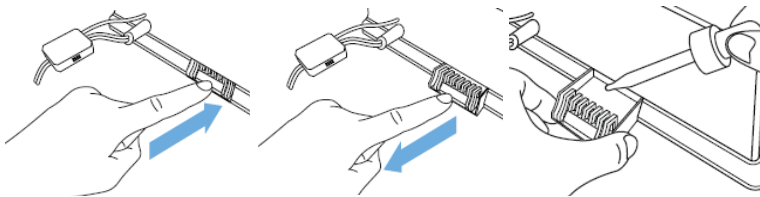
SE

VATTENFILTER

- Keramiska kulor kan mjuka upp hårt vatten.
- Keramiskt filter kan eliminera lukt i vattnet.

AROMBOX

1. Tryck ut aromboxen från basen.
2. Använd vattenlöslig aromolja och droppa på svampen.
3. Sätt tillbaka aromboxen i luftfuktaren. Aromfunktionen förblir på när luftfuktaren är igång.
4. För att stoppa aromfunktionen eller vid förvaring av luftfuktaren, rengör svampen i aromboxen.
5. Doppa endast aromolja i arombomull. Häll ingen annan vätska än rent vatten i vattenbehållaren eller tråget.



ANVÄNDNING

- Fyll på vatten i vattenbehållaren från topplocket. Eller ta ut vattenbehållaren och fyll på vatten i den direkt. Sätt sedan tillbaka vattenbehållaren på huvudbasen.
- Kontrollera att märkspänningen överensstämmer med ingångsspänningen och sätt i kontakten i vägguttaget. Luftfuktaren försätts i standbyläge.
- Tryck på PÅ/AV-knappen. Om vattenbehållaren är tom är knappen röd. Tryck på knappen igen för att stänga av luftfuktaren.
- Om det finns tillräckligt med vatten i vattenbehållaren och du trycker på knappen, kommer luftfuktaren att arbeta med lägsta hastighet och knappen lyser lila. Om du trycker på knappen igen ökas luftfuktarens hastighet och knappen blir grön. Vid den tredje tryckningen startar luftfuktaren med högsta hastighet och knappen blir blå. Tryck en gång till för att stänga av luftfuktaren. Det finns totalt 3 hastigheter.
- Varje gång du trycker på knappen hörs ett pip. När vattenbehållaren är tom avger luftfuktaren 3 pipsignaler som varning, knappen blir röd och luftfuktaren stannar. Fyll på vattentanken, tryck på knappen så startar den om.
- När luftfuktaren är påslagen ska du inte lyfta upp vattenbehållaren från huvudbasen, eftersom luftfuktaren då stängs av. Sätt tillbaka vattenbehållaren så sätts luftfuktaren igång i tidigare läge.

SE

FELSÖKNING

SE

Problem	Möjliga orsaker	Åtgärder
Strömlampan är släckt fastän apparaten är påslagen.	Luftfuktaren är inte nätansluten.	Anslut luftfuktaren till ett eluttag.
	Strömladden är skadad.	Avbryt omedelbart användningen och kontakta kundtjänst.
	Luftfuktaren är defekt eller fungerar inte korrekt.	Tryck på strömbrytaren för att sätta på apparaten.
Strömlampan lyser när apparaten är påslagen, men ingen ånga kommer ut.	Luftfuktaren är inte påslagen.	Tryck på strömbrytaren för att sätta på apparaten.
	Målfuktigheten har uppnåtts.	Öka målfuktigheten eller ändra läge.
Indikatorn för vattenbrist är tänd.	Inget vatten i behållaren.	Fyll på vattenbehållaren och vänta i minst en minut.
	Vattennivån är låg.	
	Nödvändig vattennivå har ännu inte nått förångningsdelen.	Vänta i minst 1 minut.
	Vattenbehållaren är inte korrekt placerad.	Kontrollera behållarens placering på basen.
	Luftfuktaren står inte på plan yta	Kontrollera luftfuktarens placering.
Luftfuktaren avger en ovanlig lukt	Luftfuktaren är ny.	Ta ut vattenbehållaren, öppna locket och låt den stå på en sval plats i 12 timmar.
	Vattnet är smutsigt eller har legat i för länge.	Rengör vattentanken, fyll på med rent vatten.
	Kvarvarande lukt från aromolja på arombomullen.	Ta loss arombomullen, skölj den under rent vatten och låt den torka.

Luftfuktaren avger ett högt eller ovanligt ljud.	Resonans i vattentanken när vattennivån är för låg.	Fyll vattentanken med vatten.
	Luftfuktaren står på instabilt underlag.	Flytta luftfuktaren till en stabil och plan yta.
	Vattenbehållaren är felplacerad.	Stäng av luftfuktaren och dra ut kontakten. Placera sedan vattenbehållarens lock i linje med öppningen i den inre kammaren.
	Luftfuktaren fungerar inte korrekt.	Avbryt omedelbart användningen och kontakta kundtjänst.
Luftfuktningsskapaciteten är för låg.	Det finns en naturlig eller artificiell luftersättning i rummet som stör ökningen av % RH.	Kontrollera att dörrar och fönster är stängda. Kontrollera om det inte finns någon luftkonditionering i rummet.
	Luftintagsgallren och munstycket kan vara igensatta.	Ta bort alla föremål som blockerar gallren och munstycket.
	För mycket avlagringar i vattentråget.	Rengör givaren.
	Den valda luftfuktigheten är för låg.	Öka ångutmatningshastigheten. Öka fuktighetsinställningen.
	Vattnet är för smutsigt eller har stått för länge i behållaren.	Rengör vattenbehållaren, fyll på med nytt, rent vatten.
	Det finns kondens i rummet.	Rumstemperaturen är för låg.
Ångan slutar plötsligt att komma ut.	Indikatorn för vattenbrist lyser.	Fyll på vattenbehållaren.

SE

Kontrollknappen fungerar inte	Händerna är för våta när kontrollpanelen används.	Ha torra händer när du använder kontrollpanelen.
	Luftfuktaren fungerar inte.	Kontakta kundtjänst.
Vitt damm bildas runt luftfuktaren.	Vattnet som används har hög mineralhalt.	Använd destillerat vatten i luftfuktaren. Om destillerat vatten inte finns tillgängligt, använd renat eller filtrerat vatten.
	Luftfuktaren rengjordes inte ordentligt efter senaste användningen.	Rengör luftfuktaren.
Ånga kommer ut från basen.	Vattenbehållaren är inte korrekt placerad.	Stäng av luftfuktaren och dra ut kontakten. Placera sedan vattenbehållarens lock i linje med öppningen i den inre kammaren.
Ånga kommer ut runt munstycket.	Det finns öppningar mellan munstycket och vattenbehållaren.	Sätt tillbaka locket och kontrollera att munstycket sitter ordentligt fast i locket.

Följande betraktas inte som felaktig drift:

- Om vattnet är mycket hårt (innehåller onormalt höga halter av mineraler) kan luftfuktaren producera vitt damm. Detta är inget fel. Lösningen är att rengöra filtret oftare eller använda mjukare vatten.
- Om du står väldigt nära luftfuktaren hörs ett gurglande vattenljud. Detta är normalt.
- Luftfuktaren arbetar mycket tyst, men är inte helt ljudlös. Ljudnivåer under 35 dB(A) anses vara normala.

UNDERHÅLL

Om vattnet är hårt, det vill säga innehåller höga halter kalcium och magnesium, kan det orsaka ett "vitt pulver"-problem och lämna kraftiga avlagringar på vattentråget, givaren och vattenbehållarens insida. Avlagringar på givarens yta gör att luftfuktaren inte fungerar korrekt.

Använd kokt, avsvanat vatten eller destillerat vatten.

Töm tanken och fyll på var tredje dag. Rengör den med rent kranvatten eller rengöringsmedel. Ta bort avlagringar som har bildats på tankens sidor eller på insidan och torka alla ytor torra.

Töm och rengör luftfuktaren före förvaring. Rengör luftfuktaren före nästa användning.

SE

RENGÖRING AV GIVAREN

- Rengör med rent vatten och tillsatt citronsyra om det finns avlagringar.
- Borsta av avlagringarna från ytan.
- Skölj givaren med rent vatten.

RENGÖRING AV TRÅGET

- Rengör vattentråget med en mjuk trasa eller använd citronsyra om det finns avlagringar i den.
- Om avlagringar täcker säkerhetsbrytaren, droppa lite citronsyra på den och låt verka i 2-5 minuter. Rengör sedan med en borste.
- Skölj vattentanken med rent vatten.

RENGÖRING AV KERAMISKT FILTER

- Rengör och aktivera den keramiska kulan efter ca 1 000 liters användning. Intervallen beror på vattenkvaliteten. Om den keramiska kulan är smutsig måste den rengöras oftare.
- Den kan doppas i vinäger i 5 minuter och sedan sköljas med vatten.
- Låt filtret torka i solen 4-6 timmar.



SE

GARANTI

Wilfa ger en garanti på fem (5) år på denna produkt från och med inköpsdatum. Garantin täcker tillverkningsfel eller defekter som uppstår under garantiperioden. Ditt inköpskvitto fungerar som bevis gentemot återförsäljaren om du åberopar garanti.

Garantin gäller endast produkter som köps och används för privat bruk, för normala hushållsändamål. Garantin gäller inte om produkten används för kommersiella ändamål. Garantin gäller inte om produkten används felaktigt eller oaktsamt, om du underlåter att följa Wilfas anvisningar, om produkten har modifierats eller om reparation har utförts av en icke auktoriserad person/verkstad. Garantin omfattar vidare inte fel som uppstår till följd av normalt slitage, felaktig användning, bristande underhåll eller felaktig elektrisk spänning eller:

- Ej rengjord i enlighet med bruksanvisningen
- Överbelastning av produkten
- Delar som normalt slits
- Delar som du kan förvänta dig ska bytas ut regelbundet (t.ex. filter, batteri)

PRODUKTSPECIFIKATIONER

220 V~240 V~50/60 Hz

4L

300ml/H

SUPPORT OCH RESERVDELAR

För support besök oss på **wilfa.com** och se vår kundservice-/support sida. Här hittar du svar på vanliga frågor, reservdelar, tips och tricks och all vår kontaktinformation.

SE

ÅTERVINNINGSBARHET



Denna märkning anger att produkten inte får kastas med vanligt hushållsavfall inom EU. För att förhindra skador på miljö och människor ska produkten lämnas in och återvinnas i enlighet med gällande miljöbestämmelser. Den uttjänta produkten kan lämnas på angivna återvinningsanläggningar eller lämnas till din lokala återförsäljare.

Där kan du lämna produkten för miljövänlig återvinning gratis.

DK

INDHOLD

52	VIGTIGE SIKKERHEDSANVISNINGER
57	PRODUKTOVERSIGT
58	FØR BRUG
59	BRUG
60	FEJLFINDING
62	VEDLIGEHOLDELSE
64	GARANTI
65	PRODUKTSPECIFIKATIONER
65	SUPPORT OG RESERVEDELE
65	GENANVENDELIGHED

VIGTIGE SIKKERHEDSANVISNINGER

- Følg venligst alle sikkerhedsforanstaltninger herunder af hensyn til sikkerheden og for at reducere risikoen for personskade og stød.
- Denne luftfugter må benyttes af børn fra 8 år og personer med begrænsede fysiske, sensoriske eller mentale evner eller mangel på erfaring og viden, hvis de er under opsyn eller har fået vejledning i brug af luftfugteren på en sikker måde og forstår den risiko, der er forbundet hermed. Børn må ikke lege med luftfugteren. Rengøring og vedligeholdelse må ikke foretages af børn uden opsyn.
- Inden du tager denne luftfugter i brug, skal du sikre dig, at spændingen i din elforsyning skal være den samme, som angivet på luftfugterens mærkeplade.
- Placer altid luftfugteren på et hårdt, jævnt og vandret underlag. Undgå at udsætte den for direkte sollys, og placer den altid med afstand til vægge og varmekilder som ovne, radiatorer osv. **Advarsel:** Luftfugteren fungerer måske ikke korrekt, hvis den ikke placeres på et vandret underlag.
- Undgå at sætte stikket i eller tage det ud af luftfugteren med våde hænder.

- Hvis ledningen er beskadiget, skal den udskiftes af producenten, en fagmand eller en lignende kvalificeret person for at undgå farlige situationer.
- For at reducere risikoen for elektrisk stød må du ikke fjerne skruer. Luftfugteren indeholder ingen dele, der kan serviceres af brugeren. Overlad venligst vedligeholdelsesarbejde til kvalificeret personale.
- Fyld beholderen med rent, destilleret eller demineraliseret vand. Undgå at der kommer anden væske i vandbeholderen. Luftfugteren må ikke køre, hvis der ikke er vand i vandbeholderen.
- Undgå at ryste luftfugteren, da det kan medføre, at vand løber over og ind i luftfugterens kabinet.
- Rør aldrig ved vand eller komponenter, mens luftfugteren kører.
- Hvis der kommer en usædvanlig lugt under brug, som beskrevet i denne vejledning, bør du slukke for luftfugteren, tage stikket ud og få den undersøgt hos forhandleren.
- Hæld ikke varmt vand i beholderen, dvs. med en temperatur på over 40 °C.
- Nedsenk ikke luftfugter, ledning eller stik i vand eller andre væsker.

DK

- Skrab aldrig omformeren med hårdt værktøj. Luftfugteren skal rengøres regelmæssigt. Se rengøringsvejledningen i denne vejledning for hjælp.
- Hvis du spilder væske i luftfugteren, kan det medføre alvorlige skader. Sluk straks for den på stikkontakten. Tag ledningen ud, og kontakt forhandleren.
- Tag stikket ud af luftfugteren, når den ikke er i brug og inden rengøring.
- Ledningen må ikke komme i berøring med varme flader, og undgå at den hænger ud over bordkanten.
- Brug aldrig luftfugteren i et rum, hvor der bruges spraydåser, eller hvor der håndteres ilt.
- Læg ikke tøj eller håndklæder ovenpå luftfugteren. Hvis dysen er blokeret, kan det medføre fejlfunktion.
- Når du flytter luftfugteren, skal du løfte den i kabinettet og ikke i vandbeholderen.
- Brug ikke luftfugteren, hvis luften i rummet allerede indeholder tilstrækkelig fugt.

- Den ideelle relative luftfugtighed i et behageligt indeklima ligger faktisk mellem 45 % og 65 %. Højere luftfugtighed viser sig i form af kondens på kolde overflader eller kolde vægge i rummet. Brug et hygrometer, som kan fås i de fleste specialbutikker og hypermarkeder, til at måle rummets luftfugtighed korrekt.
- Dette produkt er kun beregnet til indendørs, ikke-industrielt, ikke-kommercielt husholdningsbrug.
- Tag stikket ud af apparatet, mens du fylder det og rengør det.
- Området omkring luftfugteren må ikke blive fugtigt eller vådt. Hvis der opstår fugt, skal du skrue ned for luftfugteren. Hvis luftfugterens udledning ikke kan reduceres, kan du nøjes med at bruge luftfugteren periodisk. Undgå, at absorberende materialer som tæpper, gardiner, forhæng eller duge bliver våde.
- Efterlad aldrig vand i reservoiret, når apparatet ikke er i brug.
- Tøm og rengør luftfugteren, inden den sættes væk. Rengør luftfugteren inden den tages i brug igen.

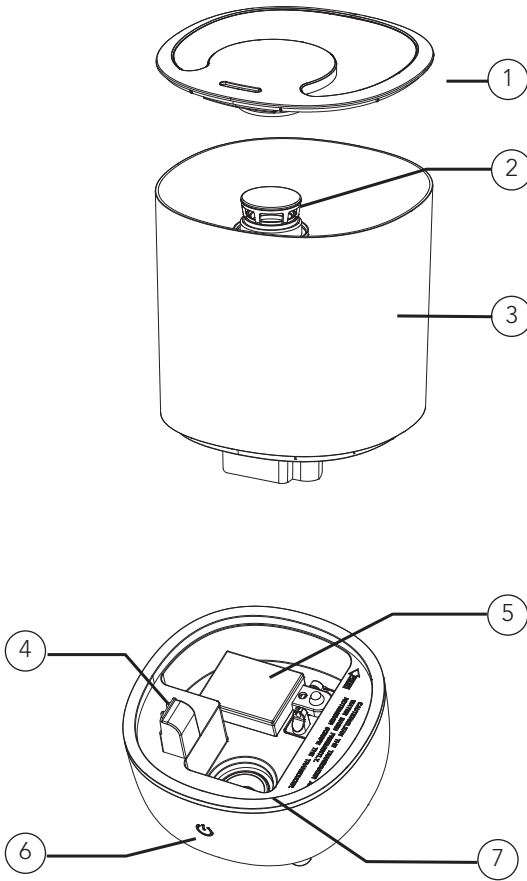
DK

- Mikroorganismer, der kan være til stede i vandet eller omgivelserne, hvor apparatet bliver brugt eller opbevaret, kan vokse i vandreservoiret og blive blæst ud i luften og medføre alvorlig sundhedsrisiko, hvis vandet ikke bliver fornyet, og vandbeholderen ikke rengøres grundigt hver 3. dag.
- Efterlad aldrig vand i reservoiret, når apparatet ikke er i brug.
- Rengør vandbeholderen hver 3. dag.



DK

PRODUKTOVERSIGT



DK

- | | | | |
|----|--------------|----|--------------|
| 1. | Topdæksel | 5. | Bøje |
| 2. | Tågedæksel | 6. | Knap |
| 3. | Vandbeholder | 7. | Omformer PCB |
| 4. | Luftudtag | | |

FØR BRUG

- Lad luftfugteren stå i et rum i 30 minutter, inden du tænder for den.
- Det anbefales at bruge luftfugteren, når temperaturen er under 20 °C, og den relative fugtighed er lavere end 80 % RH.
- Brug rent vand, der ikke er over 40 °C.
- Kontroller vandbeholderen for at se, at det er rent.
- Placer luftfugteren på et jævnt underlag.

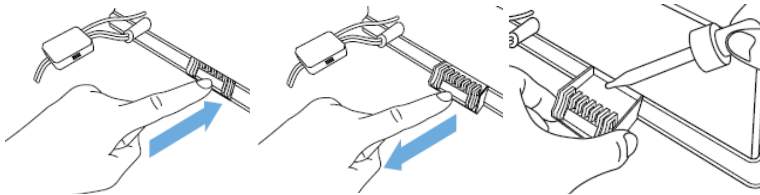
DK

VANDFILTER

- Keramiske bolde kan blødgøre det hårde vand.
- Keramisk filter kan fjerne ubehagelig lugt i vandet.

AROMABOKS

1. Tryk aromaboksen ud af basen.
2. Brug vandopløselig aromaolie, og dryp det på svampen.
3. Læg aromaboksen tilbage i luftfugteren, aromafunktionen vil være aktiveret, så længe luftfugteren kører.
4. Hvis du vil stoppe aromafunktionen eller sætte luftfugteren væk, skal du rengøre svampen i aromaboksen.
5. Dryp kun aromaolie på aromasvampen. Undgå at hælde andre væsker end rent vand i vandbeholderen.



BRUG

- Fyld vand i vandbeholderen fra topdækslet. Eller tag vandbeholderen ud, og fyld vand direkte i vandbeholderen. Sæt derefter vandbeholderen tilbage i kabinettet.
- Kontroller, at den indgående spænding svarer til netspændingen, og sæt stikket i stikkontakten. Luftfugteren går på standby.
- Tryk på ON/OFF hvis vandbeholderen er tom, knappen lyser rødt. Tryk på knappen igen for at slukke for luftfugteren.
- Hvis der er tilstrækkelig vand i vandbeholderen, og du trykker på knappen, vil luftfugteren køre ved laveste hastighed, mens knappen lyser lilla. Hvis du trykker på knappen igen, vil luftfugteren sætte hastigheden op, og knappen lyser grønt. Tredje gang du trykker på knappen starter luftfugteren i højeste hastighed, og knappen lyser blå. Tryk en gang mere for at slukke for luftfugteren. Den har i alt 3 hastigheder.
- Hver gang du trykker på knappen, bipper den. Når vandbeholderen er tom, afgiver luftfugteren 3 bip som en advarsel, knappen lyser rødt, og luftfugteren stopper med at køre. Fyld beholderen op, tryk på knappen, og den starter igen.
- Når luftfugteren er tændt, må du ikke løfte vandbeholderen op fra kabinettet, det vil slukke for luftfugteren. Sæt vandbeholderen tilbage, og luftfugteren kører i den tidligere indstilling.

DK

FEJLFINDING

Problem	Mulige årsager	Løsninger
Power-lampen er slukket, når luftfugteren er tændt.	Stikket er ikke sat i.	Sæt stikket til luftfugteren i en stikkontakt.
	Ledningen er beskadiget.	Stop brugen straks, og kontakt kundeservice.
	Luftfugteren er defekt eller har en fejlfunktion.	Tryk på powerknappen for at tænde for den.
Power-lampen er tændt, men der kommer ikke nogen damp ud.	Der er ikke tændt for luftfugteren.	Tryk på powerknappen for at tænde for den.
	Den valgte luftfugtighed er nået.	Øg den valgte luftfugtighed, eller skift indstilling.
Indikatoren for vandmangel lyser.	Ingen vand i beholderen.	Fyld beholderen op, og vent i mindst 1 minut.
	Vandstanden er lav.	
	Det nødvendige vandniveau er endnu ikke nået til fordampningsrummet.	Vent i mindst 1 minut.
	Vandbeholderen er ikke placeret korrekt.	Kontroller, at vandbeholderen er placeret rigtigt på kabinettet.
	Luftfugteren står ikke på et jævnt underlag.	Kontroller luftfugterens placering.
Luftfugteren afgiver en usædvanlig lugt.	Luftfugteren er ny.	Tag vandbeholderen ud, åbn dækslet, lad den stå 12 timer et køligt sted.
	Vandet er snavset eller har stået for længe.	Rengør vandbeholder, og fyld med rent vand.
	Restlugt fra aromaolie på aromasvamp.	Fjern aromasvamp, skyl den under rent vand, og lad den tørre.

Luftfugter afgiver en høj eller usædvanlig lyd.	Resonans i vandbeholderen, når vandstanden er for lav.	Fyld vand i vandbeholderen.
	Luftfugteren står på et ustabil underlag.	Flyt luftfugteren til et stabilt, jævnt underlag.
	Vandbeholderen er placeret forkert.	Sluk for luftfugteren, og tag stikket ud, juster derefter vanebeholderens dæksel med åbningen i det indvendige rum.
	Fejlfunktion i luftfugter.	Stop brugen straks, og kontakt kundeservice.
Kapaciteten for luftfugtighed er for lav.	Der er en naturlig eller kunstig luftudskiftning i rummet, der forstyrrer stigningen i % RH.	Kontroller, om døre og vinduer er lukket. Kontroller, om der ikke er et airconditionanlæg, der kører i rummet.
	Luftindtagets gitter og dyser kan være blokeret.	Fjern blokeringer i gitter og dyse.
	For meget kalk i vandbeholder.	Rengør omformer.
	Den valgte luftfugtighed er for lav.	Skrue op for tågens udledningshastighed. Skrue op for valgt luftfugtighed.
	Vandet er for snavset, eller vandet har stået for længe i beholderen.	Rengør vandbeholder, skift til frisk, rent vand.
	Der er kondens i rummet.	Rumtemperaturen er for lav.
Dampen stopper pludselig med at komme ud.	Indikatoren for vandmangel lyser.	Fyld vandbeholderen.
Kontrolknapper virker ikke.	For våde hænder ved betjening af kontrolpanel.	Brug tørre hænder, når du betjener kontrolpanelet.
	Luftfugter har fejlfunktion.	Kontakt kundeservice.

DK

Der dannes hvidt støv rundt om luftfugteren.	Det anvendte vand, har et højt indhold af mineraler.	Brug destilleret vand i luftfugteren. Hvis du ikke har destilleret vand, kan du bruge demineraliseret eller filtreret vand.
	Luftfugteren er ikke rengjort korrekt efter brug.	Rengør luftfugteren.
Der kommer damp ud fra kabinettet.	Vandbeholderen er ikke placeret korrekt.	Sluk for luftfugteren, og tag stikket ud, juster derefter vanebeholderens dæksel med åbningen i det indvendige rum.
Der kommer damp ud fra omkring dysen.	Der er en åbning mellem dysen og vandbeholderen.	Sæt dækslet på igen, og kontroller at dysen sidder rigtigt i dækslet.

DK

Følgende betragtes ikke som fejlbetjening:

- Hvis vandet er meget hårdt (indeholder store mængder mineraler) kan luftfugteren afgive hvidt støv. Det er ikke en fejlfunktion. Løsningen kan være at rengøre filteret oftere eller bruge blødere vand.
- Hvis du står meget tæt på luftfugteren, kan du høre en gurglende lyd fra vandet. Det er normalt.
- Luftfugteren arbejder meget lydsvagt, men den er ikke helt lydløs. Lydniveauer under 35dB(A) betragtes som normale.

VEDLIGEHOLDELSE

Hvis vandet er hårdt, betyder det, at vandet indeholder for meget kalk og magnesium, kan det medføre et problem med "hvidt pulver" og efterlade kalk på overfladen af vandbeholder, omformer og den indvendige overflade af vandbeholderen. Kalk på omformerens overflade får luftfugteren til at fungere forkert.

Brug koldt, kogt vand eller destilleret vand.

Tøm beholderen og fyld den op hver 3. dag. Inden du fylder den op, skal du rengøre den med frisk vand fra hanen eller rengøringsmiddel, hvis det anbefales af producenten. Fjern kalk, aflejringer eller film, der er dannet på siderne af beholderen eller indvendige overflader og tør alle overflader.

Tøm og rengør luftfugteren, inden den sættes væk. Rengør luftfugteren inden den tages i brug igen.

SÅDAN RENGØR DU OMFORMEREN

- Rengør den med rent vand eller citronsyre, hvis der er kalk i den.
- Børst kalk af overfladen.
- Skyl omformeren med rent vand.

SÅDAN RENGØR DU BEHOLDEREN

- Rengør vandbeholderen med en blød klud, eller brug citronsyre, hvis der er kalkaflejringer i den.
- Hvis kalk dækker sikkerhedsknappen, kan du dryppe citronsyre på den og lade det sidde i 2-5 minutter på kalken og rengøre den med en børste.
- Skyl vandbeholder med rent vand.

SÅDAN RENGØR DU DET KERAMISKE FILTER

- Rengør og aktiver den keramiske bold efter brug af 1000 L vand. Afhængig af vandkvaliteten. Hvis den keramiske bold er snavset, skal den rengøres hyppigere.
- Den kan dyppes i eddike i 5 minutter og derefter skylles med vand.
- Lad filteret tørre i solen i 4-6 timer.

DK



DK

GARANTI

Wilfa yder 5 års garanti på dette produkt fra købsdatoen. Garantien dækker produktionsfejl eller mangler, der opstår i garantiperioden. Din kvittering fungerer som dokumentation over for forhandleren, hvis du ønsker at benytte din garanti.

Garantien gælder kun for produkter, der er købt til og bruges i private husstande. Garantien gælder ikke, hvis produktet bruges kommercielt. Garantien gælder ikke, hvis produktet er misbrugt, forsømt, vejledningen fra Wilfa ikke er fulgt, produktet er ændret, eller der er foretaget uautoriseret reparation. Garantien gælder heller ikke for normalt slid på produktet, misbrug, manglende vedligeholdelse, brug af forkert spænding eller:

- Ikke afkalket i henhold til brugervejledningen
- Overbelastning af produktet
- Dele, der normalt bliver slidt
- Dele, der kan forventes udskiftet regelmæssigt (f.eks. filter, batteri osv.)

PRODUKTSPECIFIKATIONER

220 V~240 V~50/60 Hz

4L

300ml/H

SUPPORT OG RESERVEDELE

Hvis du har brug for support, kan du finde vores kundeservice/supportside på **Wilfa.com**. Her finder du ofte stillede spørgsmål, reservedele, tips og tricks og alle vores kontaktoplysninger.

GENANVENDELIGHED



Denne mærkat angiver, at produktet ikke må bortskaffes sammen med andet husholdningsaffald nogen steder i EU. For at undgå potentiel skade på miljøet eller menneskers sundhed pga. ukontrolleret bortskaffelse af affald, skal produktet genanvendes ansvarligt for at fremme bæredygtig genanvendelse af materielle ressourcer. Brug retur- og indsamlingssystemerne til genanvendelse af den brugte enhed, eller kontakt den forhandler, hvor du købte produktet. De kan tage dette produkt til en miljøvenlig genanvendelse uden beregning.

DK

FI

SISÄLTÖ

68	TURVALLISUUSOHJEET
73	TUOTTEEN KUVAUS
74	ENNEN KÄYTTÖÄ
75	KÄYTTÖ
76	VIANMÄÄRITYS
78	KUNNOSSAPITO
80	TAKUU
81	TUOTETIEDOT
81	TUKI JA VARAOSAT
81	KIERRÄTYS


TURVALLISUUSOHJEET

- Noudata alla lueteltuja turvallisuusohjeita henkilövahinkojen ja sähköiskujen riskin pienentämiseksi.
- Kahdeksan vuotta täyttäneet lapset sekä fyysisesti, henkisesti, aisteiltaan tai tietämykseltään rajoittuneet tai kokemattomat henkilöt voivat käyttää ilmankostutinta, jos heitä valvotaan tai jos heitä on neuvottu käyttämään laitetta turvallisesti ja he ymmärtävät käyttämiseen liittyvät vaarat. Lapset eivät saa leikkiä ilmankostuttimella. Lapset eivät saa puhdistaa tai huoltaa laitetta ilman valvontaa.
- Varmista, että virtalähteen jännite vastaa arvokilvessä ilmoitettua jännitettä.
- Aseta ilmankostutin aina kovalle ja tasaiselle alustalle ja ainakin metrin etäisyydelle lattiasta. Ultraäänitekniikallatuotettu höyry nousee ylöspäin, mutta myös laskeutuu alaspäin, josta johtuen laitteen ympärille saattaa muodostua kosteutta. On suositeltavaa valvoa laitteen tuottaman kosteuden vaikutusta sen läheisyydessä oleviin kalusteisiin ja varmistaa, että kosteus ei vaikuta niihin negatiivisesti. Vältä suoraa auringonvaloa ja pidä se aina poissa seinien ja lämmönlähteiden (esim. liedet, lämpöpatterit) jne. lähetyiltä. **Varoitus:** Ilmankostutin ei välttämättä toimi oikein, jos sitä ei aseteta tasaiselle alustalle.

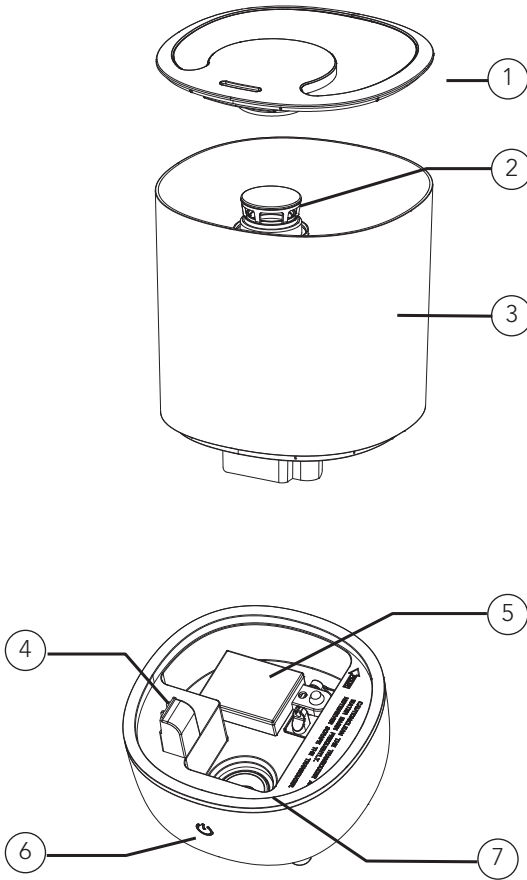
- Älä kytke tai irrota ilmankostuttimen pistoketta märin käsin.
- Jos virtajohto on vahingoittunut, se on vaaran välttämiseksi vaihdattava valmistajalla, valmistajan valtuuttamassa huoltokorjaamossa tai valtuutetulla ammattilaisella.
- Sähköiskuvaaran välttämiseksi ruuveja ei saa irrottaa. Ilmankostuttimessa ei ole käyttäjän huollettavissa olevia osia. Jätä huoltotoimenpiteet valtuutetulle huoltohenkilölle.
- Täytä säiliö raikkaalla, tislatulla tai demineralisoidulla vedellä. Älä päästä mitään muuta nestettä vesisäiliöön tai vesialtaaseen. Älä käytä ilmankostutinta, jos säiliössä tai vesialtaassa ei ole vettä.
- Älä ravista kostutinta, sillä se saattaa roiskua kostuttimen pohjalle.
- Älä koske veteen tai osiin, kun ilmankostutin on toiminnassa.
- Jos tässä käyttöohjeessa kuvatun käytön aikana esiintyy epätavallista hajua, kytke ilmankostutin pois päältä, irrota se virtalähteestä ja tarkistuta se jälleenmyyjällä.
- Älä kaada säiliöön kuumaa vettä, jonka lämpötila on esimerkiksi yli 40 °C.

- Älä upota ilmankostutinta, virtajohtoa tai pistoketta veteen tai muihin nesteisiin.
- Älä koskaan naarmuta anturia kovalla työkalulla. Ilmankostutin on puhdistettava säännöllisesti. Katso lisätietoja tämän oppaan puhdistusohjeista.
- Jos ilmankostuttimeen roiskuu nestettä, se voi aiheuttaa vakavia vaurioita. Katkaise virta heti pois päältä. Irrota pistoke pistorasiasta ja ota yhteys jälleenmyyjään.
- Irrota ilmankostutin virtalähteestä, kun sitä ei käytetä ja ennen puhdistusta.
- Varmista, ettei virtajohto kosketa kuumia pintoja tai roiku pöydän reunan yli.
- Älä koskaan käytä ilmankostutinta tilassa, jossa käytetään aerosolituotteita (suihkeita) tai jossa annetaan happea.
- Älä laita vaatteita tai pyyhkeitä ilmankostuttimen päälle. Jos suutin on tukossa, se voi aiheuttaa toimintahäiriön ilmankostuttimeen.
- Kun siirrät ilmankostutinta, nosta sitä jalustasta, älä vesisäiliöstä.
- Älä käytä ilmankostutinta, jos huoneilma on jo riittävän kosteaa.

- Ihanteellinen suhteellinen kosteustaso on 45–65 %. Liiallinen kosteus tiivistyy kylmiin pintoihin tai seiniin huoneessa. Jotta huoneen kosteus voidaan mitata oikein, käytä kosteusmittaria, joita on saatavilla useimmista erikoisliikkeistä ja hypermarketeista.
- Tämä laite on tarkoitettu ainoastaan kotikäyttöön sisätiloissa. Sitä ei ole tarkoitettu teolliseen tai kaupalliseen käyttöön.
- Irrota laite pistorasiasta täytön ja puhdistuksen ajaksi.
- Älä anna ilmankostuttimen ympärillä olevan alueen kostua tai kastua. Jos liikaa kosteutta esiintyy, pienennä ilmankostuttimen tehoa. Jos kostuttimen lähtötehoa ei voi pienentää, käytä kostutinta jaksottaisesti. Älä päästä mattojen, verhojen, liinojen tai pöytäliinojen kaltaisia imukykyisiä materiaaleja kostumaan.
- Älä koskaan jätä vettä säiliöön, kun laite ei ole käytössä.
- Tyhjennä ja puhdista ilmankostutin ennen varastointia. Puhdista ilmankostutin ennen seuraavaa käyttökertaa.

- Vesisäiliössä voi kasvaa mikro-organismeja, jotka ovat peräisin käytetystä vedestä tai ympäristöstä, jossa laitetta käytetään tai säilytetään. Ne voivat siirtyä ilmaan ja aiheuttaa erittäin vakavia terveysriskejä, jos vettä ei vaihdeta, eikä säiliötä puhdisteta kunnolla vähintään kolmen päivän välein.
- Älä koskaan jätä vettä säiliöön, kun laite ei ole käytössä.
- Vaihda käytössä oleva vesi vähintään kolmen päivän välein. 

TUOTTEEN KUVAUS



FI

1. Kansi
2. Hörykansi
3. Vesisäiliö
4. Ilmanpoistoaukko

5. Uimuri
6. Painike
7. PCB-anturi

ENNEN KÄYTTÖÄ

- Aseta ilmankostutin huoneeseen 30 minuutiksi ennen sen käynnistämistä.
- Ilmankostutinta suositellaan käytettäväksi, kun lämpötila on alle 20 °C ja suhteellinen kosteus alle 80 %.
- Käytä kirkasta vettä, jonka lämpötila on korkeintaan 40 °C.
- Tarkista vesiasia ja varmista, että se on puhdas.
- Aseta ilmankostutin tasaiselle alustalle.

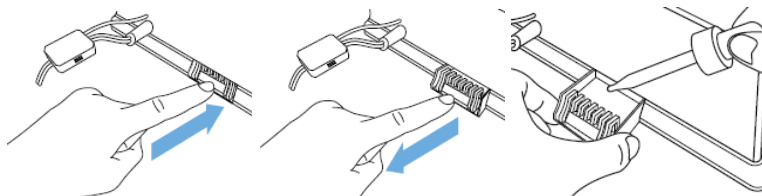
VESISUODATIN

- Keraamiset kuulat voivat pehmentää kovaa vettä.
- Keraaminen suodatin voi poistaa epätavallisia hajuja vedestä.

FI

HAJUSTELOKERO

1. Paina hajustelokero jalustasta ulos.
2. Käytä vesiliukoista tuoksuöljyä ja lisää sitä hajustetyynyyn.
3. Aseta hajustelokero takaisin ilmankostuttimeen, jolloin hajustetoiminto jää päälle ilmankostuttimen ollessa käynnissä.
4. Kun haluat pysäyttää hajustetoiminnon tai säilyttää ilmankostutinta, puhdista hajustelokeron hajustetyyny.
5. Lisää tuoksuöljyä vain hajustetyynyyn. Älä päästä vesisäiliöön tai -astiaan mitään muuta nestettä kuin puhdasta vettä.



KÄYTTÖ

- Täytä vesisäiliö kannen kautta. Vaihtoehtoisesti voit ottaa vesisäiliön pois ja kaataa vettä suoraan vesisäiliöön. Aseta sen jälkeen vesisäiliö takaisin jalustalle.
- Tarkista, vastaako nimellisjännite tulojännitettä ja kytke pistoke pistorasiaan. Ilmankostutin siirtyy valmiustilaan.
- Kosketa virtapainiketta. Jos vesisäiliö on tyhjä, painike on punainen. Ilmankostutin kytkeytyy pois päältä, kun kosketat painiketta uudelleen.
- Jos vesisäiliössä on riittävästi vettä ja painat painiketta, ilmankostutin alkaa toimia pienimmällä nopeudella ja painike on violetin värinen. Jos kosketat painiketta uudelleen, ilmankostutin lisää nopeutta ja painike muuttuu vihreäksi. Kolmannella kosketuksella ilmankostutin siirtyy suurimmalle nopeudelle ja painike muuttuu siniseksi. Sammuta ilmankostutin painamalla vielä kerran. Nopeuksia on yhteensä kolme.
- Jokainen painikkeen painallus tuottaa äänimerkin. Kun vesisäiliö on tyhjä, ilmankostuttimesta kuuluu kolme piippausta varoituksena, painike muuttuu punaiseksi ja ilmankostutin pysähtyy. Täytä vesisäiliö uudelleen ja kosketa painiketta ilmankostuttimen käynnistämiseksi uudelleen.
- Kun ilmankostutin on käynnissä, älä nosta vesisäiliötä ylös jalustasta, sillä silloin ilmankostutin sammuu. Kun asetat vesisäiliö takaisin paikalleen, ilmankostutin jatkaa toimintaansa aiemmin valitussa tilassa.

VIANMÄÄRITYS

Ongelma	Mahdolliset syyt	Ratkaisut
Virran merkkivalo ei pala, kun virta kytketään päälle.	Ilmankostutin ei ole kytkettynä pistorasiaan.	Kytke ilmankostutin sähköpistorasiaan.
	Virtajohto on vaurioitunut.	Lopeta käyttö välittömästi ja ota yhteyttä asiakaspalveluun.
	Ilmankostutin on viallinen tai vaurioitunut.	Käynnistä se painamalla virtapainiketta.
Virran merkkivalo palaa, kun laite on päällä, mutta siitä ei tule höyryä.	Ilmankostutin ei ole päällä.	Käynnistä se painamalla virtapainiketta.
	Tavoitekosteus on saavutettu.	Lisää tavoitekosteutta tai vaihda tilaa.
Veden loppumisen merkkivalo palaa.	Säiliössä ei ole vettä.	Täytä vesisäiliö uudelleen vähintään yhden minuutin kuluttua.
	Vedenpinnan taso on matala.	
	Vedenpinnan taso ei ole vielä saavuttanut höyrystyslokeroa.	Odoti vähintään minuutti.
	Vesisäiliö ei ole kunnolla paikallaan.	Tarkista säiliön sijainti jalustassa.
	Ilmankostutin ei ole tasaisella alustalla.	Tarkista ilmankostuttimen sijainti.
	Kostutin tuottaa epätavallista hajua	Ilmankostutin on uusi.
Likainen tai seisonut vesi		Puhdista vesisäiliö ja täytä se puhtaalla vedellä.
Jäännöstuoksu, joka on peräisin tuoksupuuvillan aromiöljystä.		Poista tuoksupuuvilla, huuhtelee puhtaalla vedellä ja anna kuivua.

Ilmankostuttimesta kuuluu kovaa tai epätavallista ääntä.	Kaiku vesisäiliöstä, kun vesi on liian vähissä.	Täytä vesisäiliö vedellä.	
	Ilmankostutin on epävakaalla pinnalla.	Siirrä ilmankostutin vakaalle, tasaiselle pinnalle.	
	Vesisäiliö on asetettu väärin.	Sammuta ilmankostutin ja irrota pistoke pistorasiasta. Kohdista vesisäiliön kansi sitä vastaavaan aukkoon sisäkammiossa.	
	Ilmankostuttimessa on toimintahäiriö.	Lopeta käyttö välittömästi ja ota yhteyttä asiakaspalveluun.	
Kostutus-kapasiteetti on liian pieni.	Huoneessa on luonnollinen tai keinotekoinen ilmanvaihto, joka häiritsee kosteusprosentin kasvua.	Tarkista, että ovet ja ikkunat ovat kiinni. Tarkista, että ilmastointi ei ole käynnissä huoneessa.	
	Ilmanottoristikot ja suutin ovat voineet tukkeutua.	Poista tukkeumat ristikoista ja suuttimesta.	
	Vesiastian on liikaa kalkkia.	Puhdista anturi.	
	Valittu kosteustaso on liian alhainen.	Lisää höyryn tuottonopeutta. Lisää kosteuden säätönopeutta.	
	Vesi on liian likaista tai säiliössä on pidetty vettä liian pitkään.	Puhdista vesisäiliö ja vaihda siihen raikas vesi.	
	Huoneessa on kondensaatiota.	Huoneen lämpötila on liian alhainen.	Lämmitä huone.
	Höyryn tulo lakkaa yhtäkkiä.	Vedenpuutteen ilmaisin palaa.	Täytä vesisäiliö.
Ohjauspainike ei toimi	Kättesi ovat liian märät, kun käytät ohjauspaneelia.	Pidä kädet kuivina ohjauspaneelin käytön aikana.	
	Ilmankostuttimessa on toimintahäiriö.	Ota yhteyttä asiakaspalveluun.	

Ilmankostuttimen ympärille tulee valkoista pölyä.	Käytetyn veden mineraalipitoisuus on suuri.	Käytä ilmankostuttimessa tislattua vettä. Jos tislattua vettä ei ole saatavilla, käytä puhdistettua tai suodatettua vettä.
	Ilmankostutinta ei ole puhdistettu kunnolla edellisen käytön jälkeen.	Puhdista ilmankostutin.
Höyry tulee ulos pohjasta.	Vesisäiliö on virheellisessä asennossa.	Sammuta ilmankostutin ja irrota pistoke pistorasiasta. Kohdista vesisäiliön kansi sitä vastaavaan aukkoon sisäkammiossa.
Suuttimen ympäriltä tulee höyryä.	Suuttimen ja vesisäiliön välissä on aukkoja.	Aseta kansi takaisin paikalleen ja tarkista, että suutin on kunnolla kiinni kannessa.

FI

Seuraavia ei pidetä vikoina:

- Jos vesi on erittäin kovaa (sisältää epätavallisen paljon mineraaleja), ilmankostutin voi tuottaa valkoista pölyä. Kyseessä ei ole toimintahäiriö. Ratkaisuna on puhdistaa suodatin useammin tai käyttää pehmeämpää vettä.
- Jos seisot hyvin lähellä ilmankostutinta, kuulet veden lorinaa. Tämä on normaalia.
- Kostutin toimii erittäin hiljaa, mutta se ei ole täysin äänetön. Alle 35 dB:n (A) melutasoa pidetään normaalina.

KUNNOSSAPITO

Jos vesi on kovaa, eli sisältää liikaa kalsiumia ja magnesiumia, se voi aiheuttaa "valkoisen jauheen" ongelman ja jättää kerrostuman vesisäiliöön, muuntimeen ja sisäpinnalle. Anturin pinnalla oleva kerrostuma johtaa ilmankostuttimen virheelliseen toimintaan.

Käytä kylmää keitettyä tai tislattua vettä.

Tyhjennä ja täytä säiliö vähintään joka kolmas päivä. Puhdista säiliö ennen uudelleentäyttämistä puhtaalla hanavedellä tai puhdistusaineilla, jos valmistaja niin vaatii. Poista mahdolliset kalkkikertymät tai kalvot säiliön sivuilta tai sisäpinnoilta ja pyyhi kaikki pinnat kuiviksi.

Tyhjennä ja puhdista ilmankostutin ennen varastointia. Puhdista ilmankostutin ennen seuraavaa käyttökertaa.

ANTURIN PUHDISTAMINEN

- Puhdista puhtaalla vedellä tai sitruunahapolla, jos siinä on kalkkikertymiä.
- Harjaa kalkkikertymät pinnasta pois.
- Huuhtele anturi puhtaalla vedellä.

VESIASTIAN PUHDISTAMINEN

- Puhdista vesiastia pehmeällä liinalla tai käytä sitruunahappoa, jos astiassa on kalkkikertymiä.
- Jos kalkkikertymät peittävät turvakytimen, lisää siihen hieman sitruunahappoa ja anna sen vaikuttaa kalkkikertymiin 2–5 minuuttia. Puhdista sitten harjalla.
- Huuhtele vesisäiliö puhtaalla vedellä.

KERAAMISEN SUODATTIMEN PUHDISTAMINEN

- Puhdista ja aktivoi keraaminen kuula, kun olet käyttänyt 1 000 litraa vettä. Veden laadusta riippuen. Jos keraaminen kuula on likainen, se on puhdistettava useammin.
- Sitä voidaan liottaa viinietikassa viiden minuutin ajan, huuhtelee sitten vedellä.
- Aseta suodatin aurinkoon kuivumaan 4–6 tunniksi.



TAKUU

FI

Wilfa myöntää tälle tuotteelle viiden (5) vuoden takuun ostopäivämäärästä alkaen. Takuu kattaa valmistusvirheet ja takuuaikana ilmenevät viat. Ostokuitti toimii todisteena jälleenmyyjälle takuuvaatimusten esittämisen yhteydessä.

Takuu koskee ainoastaan yksityiskäyttöön ostettuja ja yksityiskäytössä olleita tuotteita. Takuu ei ole voimassa, jos tuotetta on käytetty kaupallisesti. Takuu ei ole voimassa, jos tuotetta on käytetty väärin, huolimattomasti tai Wilfan antamien ohjeiden vastaisesti tai jos tuotetta on muutettu tai korjattu valtuuttamattomalla tavalla. Takuu ei koske myöskään tuotteen normaalia kulumista, väärinkäyttöä, huollon puutetta, väärän sähköjännitteen käyttöä eikä:

- Käyttöohjeen kalkinpoisto-ohjeiden noudattamatta jättämistä
- Tuotteen ylikuormittamista
- Normaalista kulumista
- Osia, jotka pitääkin vaihtaa säännöllisesti (esim. suodatin, paristo jne.)

TUOTETIEDOT

220 V~240 V~50/60 Hz

4L

300ml/H

TUKI JA VARAOSAT

Tukiasioissa käy osoitteessa **wilfa.fi** ja tutustu asiakaspalvelu- ja tukisivuumme. Sieltä löydät usein kysytyt kysymykset, varaosat, vinkit ja neuvot sekä kaikki yhteystietomme.

KIERRÄTYS



Tämä merkki osoittaa, että laitetta ei saa hävittää EU:n alueella talousjätteen mukana. Laite tulee kierrättää vastuullisesti ja kestävän kehityksen periaatteiden mukaisesti, jottei ympäristölle ja ihmisten terveydelle aiheudu haittaa. Kierrätä käytetty laite viemällä se keräyspisteeseen tai palauttamalla se tuotteen jälleenmyyjälle.

Tällöin se käsitellään ympäristön kannalta turvallisesti.

FI

DE

INHALTSVERZEICHNIS

84	WICHTIGE SICHERHEITSHINWEISE
89	PRODUKTÜBERSICHT
90	VOR DEM GEBRAUCH
91	GEBRAUCH
92	PROBLEMLÖSUNG
95	WARTUNG
96	GARANTIE
97	TECHNISCHE DATEN
97	SUPPORT UND ERSATZTEILE
97	RECYCLINGFÄHIGKEIT

WICHTIGE SICHERHEITSHINWEISE

- Bitte befolgen Sie alle angegebenen Sicherheitsvorkehrungen, um die Gefahr von Verletzungen oder elektrischen Schlägen zu verringern.
- Dieser Luftbefeuchter kann von Kindern ab 8 Jahren und Personen mit verminderten körperlichen, sensorischen oder geistigen Fähigkeiten bzw. ohne ausreichende Erfahrung und Wissen verwendet werden, wenn sie beaufsichtigt werden, eine Einweisung zur sicheren Nutzung des Geräts erhalten haben und die damit verbundenen Gefahren verstanden haben. Der Luftbefeuchter ist kein Spielzeug für Kinder. Die Reinigung und Wartung darf von Kindern nicht ohne Beaufsichtigung ausgeführt werden.
- Prüfen Sie vor Gebrauch des Luftbefeuchters, dass die auf dem Typenschild angegebene elektrische Spannung der Netzversorgung Ihres Haushalts entspricht.
- Stellen Sie den Luftbefeuchter immer auf eine feste, ebene und fache Fläche. Vermeiden Sie direkte Sonneneinstrahlung und halten Sie das Gerät stets von Wänden und Wärmequellen wie Öfen, Heizkörpern usw. fern. **Warnung:** Der Luftbefeuchter funktioniert möglicherweise nicht

richtig, wenn er nicht auf einer ebenen Fläche aufgestellt wird.

- Stecken Sie den Netzstecker des Luftbefeuchters nicht mit nassen Händen ein oder aus.
- Wenn das Stromkabel beschädigt ist, muss es vom Hersteller, seiner Servicestelle oder ähnlich qualifizierten Personen ersetzt werden, um eine Gefährdung auszuschließen.
- Um die Gefahr von elektrischen Schlägen zu verringern, dürfen die Schrauben nicht entfernt werden. Der Luftbefeuchter enthält keine vom Benutzer zu wartenden Teile. Alle Wartungsarbeiten bitte qualifiziertem Personal überlassen.
- Füllen Sie den Tank mit frischem, destilliertem oder entmineralisiertem Wasser. Bitte geben Sie keine andere Flüssigkeit in den Wassertank oder das Wasserbecken. Nehmen Sie den Luftbefeuchter nicht in Betrieb, wenn sich kein Wasser im Tank oder im Wasserbecken befindet.
- Schütteln Sie den Luftbefeuchter nicht, da das Wasser sonst in die Basis des Luftbefeuchters gelangen kann.
- Berühren Sie niemals das Wasser oder Bauteile, während der Luftbefeuchter in Betrieb ist.

DE

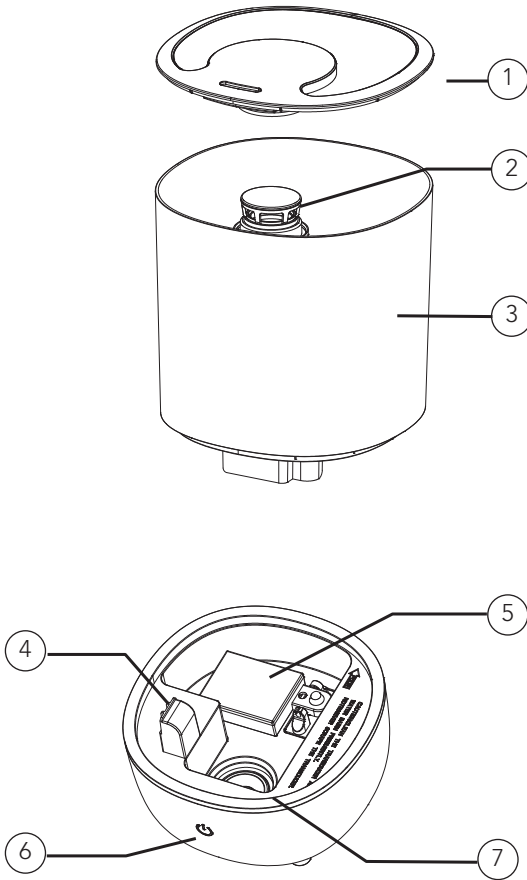
- Wenn es bei der in dieser Anleitung beschriebenen Verwendung zu ungewöhnlichen Gerüchen kommt, schalten Sie den Luftbefeuchter aus, ziehen Sie den Stecker heraus und lassen Sie ihn von Ihrem Händler untersuchen.
- Gießen Sie kein heißes Wasser in den Tank, d. h. mit einer Temperatur von über 40 °C.
- Tauchen Sie den Luftbefeuchter oder das Netzkabel nicht in Wasser oder andere Flüssigkeiten.
- Kratzen Sie den Schwinger niemals mit einem harten Werkzeug ab. Der Luftbefeuchter muss regelmäßig gereinigt werden. Beachten Sie dazu die Reinigungsanweisungen in dieser Bedienungsanleitung.
- Wenn Flüssigkeit in den Luftbefeuchter gelangt, kann dies schwere Schäden verursachen. Schalten Sie das Gerät sofort aus. Ziehen Sie den Netzstecker und wenden Sie sich an Ihren Händler.
- Trennen Sie den Luftbefeuchter von der Stromversorgung, wenn er nicht in Gebrauch ist und vor der Reinigung.
- Achten Sie darauf, dass das Netzkabel keine heiße Oberflächen berührt und nicht über die Tischkante hängt.

- Verwenden Sie diesen Luftbefeuchter niemals in Räumen, in denen Aerosolprodukte (Sprays) verwendet werden oder in denen Sauerstoff verabreicht wird.
- Legen Sie keine Kleidungsstücke oder Handtücher auf den Luftbefeuchter. Wenn die Düse verstopft ist, kann dies zu Fehlfunktionen des Luftbefeuchters führen.
- Wenn Sie den Luftbefeuchter bewegen, heben Sie ihn an der Basis und nicht am Wassertank an.
- Verwenden Sie den Luftbefeuchter nicht, wenn die Luft im Raum bereits ausreichend feucht ist.
- Die ideale relative Luftfeuchtigkeit für den menschlichen Komfort liegt zwischen 45 % und 65 %. Überschüssige Feuchtigkeit erscheint in Form von Kondensation auf kalten Oberflächen oder kalten Wänden im Raum. Um die Luftfeuchtigkeit des Raumes korrekt zu messen, verwenden Sie ein Hygrometer, das in den meisten Fachgeschäften und Verbrauchermärkten erhältlich ist.
- Dieses Gerät ist nur für die Verwendung in Innenräumen und die nicht-industrielle, nicht-gewerbliche Verwendung im Haushalt gedacht.
- Das Gerät während des Befüllens und Reinigens ausstecken.

- Der Bereich um den Luftbefeuchter darf nicht feucht oder nass werden. Wenn Feuchtigkeit auftritt, schalten Sie den Ausstoß des Luftbefeuchters herunter. Wenn sich die Ausstoßmenge des Luftbefeuchters nicht weiter herunterschalten lässt, verwenden Sie das Gerät mit Unterbrechungen. Lassen Sie keine saugfähigen Materialien, wie z. B. Teppiche, Vorhänge, Gardinen oder Tischtücher, feucht werden.
- Lassen Sie niemals Wasser im Behälter, wenn das Gerät nicht in Gebrauch ist.
- Entleeren und reinigen Sie den Luftbefeuchter vor der Lagerung. Reinigen Sie den Luftbefeuchter vor der nächsten Verwendung.
- Mikroorganismen, die im Wasser oder in der Umgebung, in der das Gerät verwendet oder gelagert wird, vorhanden sein können, können im Wassertank gedeihen und in die Luft geblasen werden. Das kann zu sehr ernsten Gesundheitsrisiken führen, wenn das Wasser nicht erneuert und der Tank nicht alle 3 Tage ordnungsgemäß gereinigt wird.
- Lassen Sie niemals Wasser im Behälter, wenn das Gerät nicht in Gebrauch ist.
- Reinigen Sie das Wasser alle drei Tage.



PRODUKTÜBERSICHT



DE

- | | | | |
|----|----------------|----|---------------|
| 1. | Deckel | 5. | Schwimmer |
| 2. | Nebelabdeckung | 6. | Bedienknopf |
| 3. | Wasserbehälter | 7. | Schwinger PCB |
| 4. | Luftauslass | | |

VOR DEM GEBRAUCH

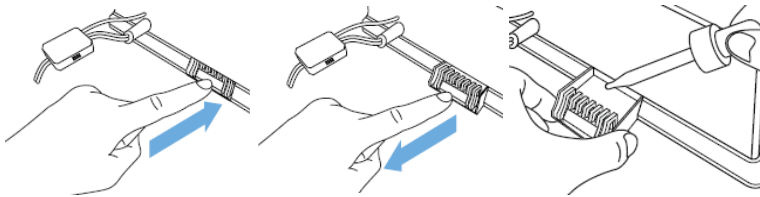
- Stellen Sie den Luftbefeuchter 30 Minuten in den Raum, bevor Sie ihn einschalten.
- Es wird empfohlen, den Luftbefeuchter zu verwenden, wenn die Temperatur unter 20 °C liegt und die relative Luftfeuchtigkeit weniger als 80 % beträgt.
- Verwenden Sie klares Wasser, das nicht wärmer als 40 °C ist.
- Kontrollieren Sie das Wasserbecken und achten Sie darauf, dass das Wasser klar ist.
- Stellen Sie den Luftbefeuchter auf eine ebene Fläche.

WASSERFILTER

- Keramikugeln können das harte Wasser weich machen.
- Keramikfilter können ungewöhnliche Gerüche im Wasser eliminieren.

AROMAFACH

1. Aromafach aus der Basis drücken.
2. Ein wasserlösliches Aromaöl auf den Schwamm träufeln.
3. Das Aromafach wieder in den Luftbefeuchter einsetzen. Die Aromafunktion bleibt eingeschaltet, wenn der Luftbefeuchter läuft.
4. Um die Aromafunktion zu beenden oder bei der Lagerung des Luftbefeuchters den Schwamm im Aromafach säubern.
5. Aromaöl nur in Aromabaumwolle tropfen lassen. Keine Flüssigkeit außer sauberem Wasser in den Wassertank oder das Becken füllen.



GEBRAUCH

- Füllen Sie Wasser über den Deckel in den Wassertank. Oder nehmen Sie den Wassertank heraus und füllen Sie Wasser direkt in den Wassertank. Stellen Sie anschließend den Wassertank wieder in die Basis.
- Prüfen Sie, ob die Nennspannung mit der Eingangsspannung übereinstimmt, und stecken Sie den Netzstecker in die Steckdose. Der Luftbefeuchter wechselt in den Standby-Modus.
- Berühren Sie die EIN/AUS-Taste. Wenn der Wassertank leer ist, leuchtet die Taste rot. Berühren Sie die Taste erneut und der Luftbefeuchter schaltet sich aus.
- Wenn sich genügend Wasser im Wassertank befindet und Sie die Taste drücken, arbeitet der Luftbefeuchter mit der niedrigsten Geschwindigkeit, wobei die Taste violett leuchtet. Wenn Sie die Taste erneut berühren, erhöht der Luftbefeuchter die Geschwindigkeit und die Taste wird grün. Bei der dritten Berührung startet der Luftbefeuchter mit der höchsten Geschwindigkeit und die Taste wird blau. Drücken Sie ein weiteres Mal, um den Luftbefeuchter auszuschalten. Es gibt insgesamt 3 Geschwindigkeiten.
- Jedes Mal, wenn Sie die Taste berühren, ertönt ein Piepton. Wenn der Wassertank leer ist, gibt der Luftbefeuchter 3 Pieptöne als Warnung ab, die Taste wird rot und der Luftbefeuchter hört auf zu arbeiten. Füllen Sie den Wassertank auf, berühren Sie die Taste, und er wird neu gestartet.
- Wenn der Luftbefeuchter eingeschaltet ist, heben Sie den Wassertank nicht von der Basis ab. Dadurch wird der Luftbefeuchter ausgeschaltet. Setzen Sie den Wassertank wieder ein, und der Luftbefeuchter arbeitet im vorherigen Modus.

DE

PROBLEMLÖSUNG

Problem	Mögliche Ursachen	Lösungen
Die Netzleuchte ist aus, obwohl das Gerät eingeschaltet ist.	Luftbefeuchter ist nicht eingesteckt.	Den Luftbefeuchter in eine Steckdose stecken.
	Netzkabel ist beschädigt.	Sofort den Gebrauch einstellen und den Kundendienst anrufen.
	Luftbefeuchter ist defekt oder gestört.	Das Gerät mit der ON/OFF-Taste einschalten.
Die Netzleuchte leuchtet, wenn sie eingeschaltet ist, aber es tritt kein Nebel aus.	Luftbefeuchter ist nicht eingeschaltet.	Das Gerät mit der ON/OFF-Taste einschalten.
	Die Zielfeuchtigkeit ist erreicht.	Die Zielfeuchtigkeit erhöhen oder den Modus ändern.
Die Wassermangelanzeige leuchtet.	Kein Wasser im Tank.	Den Wassertank auffüllen, mindestens 1 Minute lang warten.
	Wasserstand zu niedrig.	
	Der erforderliche Wasserstand hat die Verdampfungskammer noch nicht erreicht.	Mindestens 1 Minute warten.
	Der Wassertank ist nicht gut positioniert.	Die Positionierung des Tanks auf der Basis prüfen.
	Luftbefeuchter steht nicht auf einer ebenen Oberfläche.	Positionierung des Luftbefeuchters prüfen.
Der Luftbefeuchter erzeugt ungewöhnlichen Geruch	Luftbefeuchter ist neu.	Wassertank herausnehmen, Deckel öffnen, 12 Stunden in kalter Position stehen lassen.
	Verschmutztes oder abgestandenes Wasser.	Wassertank reinigen, mit klarem Wasser füllen.
	Restgeruch durch diffundierendes Aromaöl auf der Aromabaumwolle.	Aromabaumwolle herausnehmen, unter klarem Wasser abspülen und trocknen lassen.

Der Luftbefeuchter macht laute oder ungewöhnliche Geräusche.	Resonanz im Wassertank bei zu niedrigem Wasserstand.	Wasser in den Wassertank einfüllen.
	Luftbefeuchter steht auf einer instabilen Oberfläche.	Luftbefeuchter auf eine stabile, ebene Fläche stellen.
	Wassertank ist falsch positioniert.	Den Luftbefeuchter ausschalten und den Stecker herausziehen. Dann den Deckel des Wassertanks auf die entsprechende Öffnung in der Innenkammer ausrichten.
	Luftbefeuchter ist defekt.	Sofort den Gebrauch einstellen und den Kundendienst anrufen.
Die Befeuchtungsleistung ist zu gering.	Es gibt einen natürlichen oder künstlichen Luftaustausch im Raum, der den Anstieg der relativen Luftfeuchtigkeit (%) beeinträchtigt.	Prüfen, ob Türen und Fenster geschlossen sind. Prüfen, dass keine Klimaanlage im Raum läuft.
	Lufteinlassgitter und Düse könnten verstopft sein.	Alle Blockaden von den Gittern und der Düse entfernen.
	Zu viel Kalk im Wasserbecken.	Schwinger reinigen.
	Die gewählte Feuchtigkeit ist zu niedrig.	Nebelausgabedrehzahl erhöhen. Einstellung der Luftfeuchtigkeit erhöhen.
	Wasser ist zu schmutzig oder abgestanden.	Wassertank reinigen, frisches, klares Wasser einfüllen.
	Im Raum ist Kondenswasser.	Raumtemperatur ist zu niedrig.
Der Nebel tritt plötzlich nicht mehr aus.	Die Wassermangelanzeige leuchtet.	Wassertank auffüllen.

Bedientaste funktioniert nicht	Die Hände sind zu nass, wenn das Bedienfeld bedient wird.	Hände trocken halten, während Sie das Bedienfeld bedienen.
	Der Luftbefeuchter ist defekt.	Wenden Sie sich an den Kundendienst.
Rund um den Befeuchter tritt weißer Staub auf.	Das verwendete Wasser hat einen hohen Mineralgehalt.	Destilliertes Wasser mit dem Luftbefeuchter verwenden. Wenn kein destilliertes Wasser verfügbar ist, gereinigtes oder gefiltertes Wasser verwenden.
	Der Luftbefeuchter wurde nach der letzten Verwendung nicht ordnungsgemäß gereinigt.	Luftbefeuchter reinigen.
Nebel tritt aus der Basis aus.	Wassertank ist nicht korrekt positioniert.	Den Luftbefeuchter ausschalten und den Stecker herausziehen. Dann den Deckel des Wassertanks auf die entsprechende Öffnung in der Innenkammer ausrichten.
Nebel tritt um die Düse herum aus.	Zwischen Düse und Wassertank befinden sich Öffnungen.	Setzen Sie die Abdeckung wieder auf und prüfen Sie, ob die Düse gut in der Abdeckung steckt.

DE

Folgendes gilt nicht als fehlerhafter Betrieb:

- Wenn Ihr Wasser sehr hart ist (mit ungewöhnlich hohem Mineraliengehalt), kann der Luftbefeuchter weißen Staub erzeugen. Dies ist keine Fehlfunktion. Die Lösung wäre, den Filter öfter zu reinigen oder weiches Wasser zu verwenden.
- Wenn Sie sehr nahe am Luftbefeuchter stehen, hören Sie das Gurgeln von Wasser. Das ist normal.
- Der Luftbefeuchter arbeitet sehr leise, ist aber nicht vollständig geräuschlos. Geräuschpegel unter 35 dB(A) gelten als normal.

WARTUNG

Wenn das Wasser hart ist, was bedeutet, dass das Wasser zu viel Kalzium und Magnesium enthält, kann dies zu einem Problem mit „weißem Pulver“ führen und starke Ablagerungen auf der Oberfläche des Wasserbeckens, des Schwingers und der Innenfläche des Wassertanks hinterlassen. Ablagerungen auf der Oberfläche des Schwingers lassen den Luftbefeuchter nicht ordnungsgemäß arbeiten.

Verwenden Sie kaltes abgekochtes Wasser oder destilliertes Wasser.

Leeren Sie den Tank und füllen Sie ihn alle drei Tage auf. Reinigen Sie das Gerät vor dem Nachfüllen mit frischem Leitungswasser oder Reinigungsmitteln, falls dies vom Hersteller gefordert wird. Beseitigen Sie Kalkablagerungen, Ablagerungen oder Filme, die sich an den Seiten des Tanks oder an den Innenflächen gebildet haben, und wischen Sie alle Oberflächen trocken.

Entleeren und reinigen Sie den Luftbefeuchter vor der Lagerung. Reinigen Sie den Luftbefeuchter vor der nächsten Verwendung.

REINIGUNG DES SCHWINGERS

- Mit sauberem Wasser mit Zitronensäure reinigen, wenn sich Kalk daran befindet.
- Den Kalk von der Oberfläche abbürsten.
- Spülen Sie den Schwinger mit klarem Wasser.

REINIGUNG DES BECKENS

- Das Wasserbecken mit einem weichem Tuch oder mit Zitronensäure reinigen, wenn sich Kalk darin befindet.
- Wenn der Kalk den Sicherheitsschalter bedeckt, etwas Zitronensäure darauf tropfen und 2–5 Minuten lang einwirken lassen. Dann mit einer Bürste reinigen.
- Spülen Sie den Wassertank mit klarem Wasser.

REINIGUNG DES KERAMIKFILTERS

- Reinigen und aktivieren Sie die Keramikkugel nach dem Verbrauch von 1000 l Wasser. Je nach Wasserqualität. Wenn die Keramikkugel verschmutzt ist, muss sie häufiger gereinigt werden.
- Sie kann 5 Minuten lang in Essig getaucht und anschließend mit Wasser abgespült werden.
- Den Filter 4–6 Stunden an der Sonne trocknen lassen.



GARANTIE

Wilfa gewährt auf dieses Produkt 5 Jahre Garantie ab Kaufdatum. Die Garantie deckt Produktionsfehler oder Mängel ab, die während der Garantiezeit auftreten. Ihr Kaufbeleg dient als Nachweis gegenüber dem Händler, wenn Sie Ihre Garantie in Anspruch nehmen.

DE

Die Garantie gilt nur für Produkte, die für Privathaushalte gekauft und dort verwendet werden. Die Garantie gilt nicht, wenn das Produkt gewerblich verwendet wird. Die Garantie gilt nicht bei unsachgemäßer oder fahrlässiger Verwendung, Nichtbefolgung der Anleitungen von Wilfa oder falls das Gerät modifiziert oder eine nicht-autorisierte Reparatur daran vorgenommen wird. Die Garantie gilt auch nicht für normalen Verschleiß und Abnutzung des Produkts, fehlerhafte Verwendung, mangelhafte Pflege, Verwendung einer falschen elektrischen Spannung oder:

- Nicht gemäß Bedienungsanleitung entkalkt
- Überlastung des Produkts
- Teile, die normal abgenutzt sind
- Teile, bei denen ein regelmäßiger Austausch zu erwarten ist (z. B. Filter, Batterie usw.)

TECHNISCHE DATEN

220 V~240 V~50/60 Hz

4L

300ml/H

SUPPORT UND ERSATZTEILE

Support erhalten Sie auf **wilfa.com** und auf unserer Kundenservice-/Supportseite. Dort finden Sie Antworten auf häufig gestellte Fragen, Ersatzteile, Tipps und Tricks sowie alle unsere Kontaktdaten.

RECYCLINGFÄHIGKEIT



Diese Kennzeichnung weist darauf hin, dass das Produkt in der EU nicht über den Hausmüll entsorgt werden darf. Um mögliche Schäden für die Umwelt oder die menschliche Gesundheit durch unkontrollierte Abfallentsorgung zu vermeiden, recyceln Sie das Gerät verantwortungsvoll. Sie fördern so die nachhaltige Wiederverwendung von Materialressourcen. Um Ihr Altgerät zurückzugeben, nutzen Sie bitte eines der Rückgabe- und Sammelsysteme oder wenden Sie sich an den Händler, bei dem das Produkt gekauft wurde. Dort kann das Produkt kostenlos für ein umweltfreundliches Recycling zurückgenommen werden.

DE

NL

INHOUDSOPGAVE

100	BELANGRIJKE VEILIGHEIDSINSTRUCTIES
105	PRODUCTOVERZICHT
106	VÓÓR GEBRUIK
107	GEBRUIK
108	PROBLEEMOPLOSSING
111	ONDERHOUD
112	GARANTIE
113	PRODUCTSPECIFICATIES
113	ONDERSTEUNING EN RESERVEONDERDELEN
113	RECYCLING

BELANGRIJKE VEILIGHEIDSINSTRUCTIES

- Volg alle onderstaande veiligheidsvoorschriften op voor de veiligheid en om het risico van letsel of elektrische schokken te beperken.
- Deze bevochtiger kan gebruikt worden door kinderen vanaf acht jaar en door personen met een fysieke, zintuiglijke of verstandelijke beperking en/of door mensen die een gebrek aan ervaring of kennis hebben, mits zij de bevochtiger onder toezicht gebruiken of instructies gekregen hebben over de veilige manier waarop de bevochtiger gebruikt moet worden en de hieraan gerelateerde gevaren begrepen hebben. Kinderen mogen de bevochtiger niet als speelgoed gebruiken. Reiniging en onderhoud mogen niet uitgevoerd worden door kinderen die niet onder toezicht staan.
- Zorg er voordat u deze bevochtiger gebruikt voor dat de spanning van uw elektriciteitsvoorziening gelijk is aan de spanning die op het typeplaatje van de bevochtiger aangegeven is.
- Plaats de bevochtiger altijd op een harde, vlakke en effen ondergrond. Vermijd blootstelling aan direct zonlicht en houd het apparaat altijd uit de buurt van muren en warmtebronnen zoals kachels, radiatoren enz. **Waarschuwing:** De bevochtiger werkt mogelijk niet correct als deze niet op een vlakke ondergrond geplaatst wordt.

- Bevestig of verwijder de stekker van de bevochtiger niet met natte handen.
- Als het snoer beschadigd is, moet de fabrikant, de servicemonteur of een soortgelijk gekwalificeerde persoon dit vervangen, om gevaarlijke situaties te voorkomen.
- Om het risico van elektrische schokken te verminderen, mogen de schroeven niet verwijderd worden. Het apparaat bevat geen onderdelen die door de gebruiker onderhouden kunnen worden. Laat alle onderhoudswerkzaamheden aan gekwalificeerd personeel over.
- Vul de tank met vers, gedistilleerd of gedemineraliseerd water. Giet geen andere vloeistoffen in de watertank of het waterreservoir. Laat de bevochtiger niet draaien als er geen water in de tank of het waterreservoir zit.
- Schud de bevochtiger niet, omdat het water dan in de basis van de bevochtiger kan overlopen.
- Raak het water of de onderdelen nooit aan terwijl de bevochtiger in gebruik is.
- Als u een vreemde geur waarneemt tijdens het gebruik, zoals beschreven in deze handleiding, schakelt u de bevochtiger uit, trekt u de stekker uit het stopcontact en laat u de bevochtiger controleren door uw dealer.

- Giet geen warm water in de tank, d.w.z. water met een temperatuur hoger dan 40 °C.
- Dompel de bevochtiger of het netsnoer niet onder in water of andere vloeistoffen.
- Schraap nooit op de omvormer met hard gereedschap. De bevochtiger moet regelmatig gereinigd worden. Raadpleeg hiervoor de reinigingsinstructies in deze handleiding.
- Als u vloeistof in de bevochtiger morst, kan dit ernstige schade veroorzaken. Schakel de stroom onmiddellijk uit. Trek de stekker uit het stopcontact en raadpleeg uw dealer.
- Koppel de bevochtiger los van de stroomvoorziening wanneer deze niet in gebruik is en vóór reiniging.
- Zorg ervoor dat het netsnoer geen heet oppervlak raakt en dat het niet over een tafelrand hangt.
- Gebruik deze bevochtiger nooit in een kamer waar aerosolproducten (sprays) gebruikt worden of waar zuurstof toegediend wordt.
- Leg geen kledingstukken of handdoeken op de bevochtiger. Als het mondstuk verstopt is, kan dit leiden tot een slechte werking van de bevochtiger.

- Til de bevochtiger bij het verplaatsen aan de basis op en niet aan de watertank.
- Gebruik de bevochtiger niet als de lucht in de kamer al voldoende vochtig is.
- De ideale relatieve vochtigheidsgraad voor menselijk comfort ligt tussen 45% en 65%. Overtollig vochtig verschijnt in de vorm van condensatie op koude oppervlakken of koude wanden in de kamer. Om de luchtvochtigheid van de kamer correct te meten, gebruikt u een hygrometer die verkrijgbaar is in de meeste gespecialiseerde winkels en hypermarkten.
- Dit product is uitsluitend bestemd voor huishoudelijk gebruik binnenshuis en is niet bestemd voor industrieel of commercieel gebruik.
- Haal de stekker van het apparaat uit het stopcontact tijdens het vullen en reinigen.
- Zorg ervoor dat de plaats rond de bevochtiger niet vochtig of nat wordt. Als er vocht optreedt, moet u de vochtafgifte van de bevochtiger verlagen. Als het uitvoervolume van de bevochtiger niet verlaagd kan worden, gebruik de bevochtiger dan met tussenpozen. Zorg ervoor dat absorberende materialen zoals tapijten, gordijnen, lakens of tafellakens niet vochtig worden.

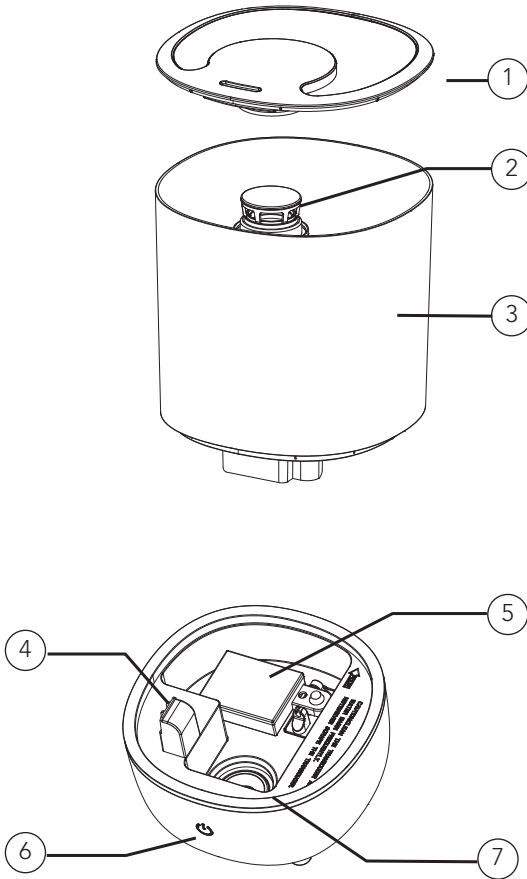
- Laat nooit water in het reservoir staan als het apparaat niet in gebruik is.
- Leeg en reinig de bevochtiger voordat u hem opbergt. Reinig de bevochtiger vóór het volgende gebruik.
- Micro-organismen die aanwezig kunnen zijn in het water of in de omgeving waar het apparaat gebruikt of opgeslagen wordt, kunnen in het waterreservoir groeien en in de lucht geblazen worden, wat zeer ernstige gezondheidsrisico's met zich meebrengt wanneer het water niet ververs wordt en de tank niet om de drie dagen goed gereinigd wordt.
- Laat nooit water in het reservoir staan als het apparaat niet in gebruik is.

NL

- Ververs het water om de drie dagen.



PRODUCTOVERZICHT



NL

- | | | | |
|----|-----------------|----|--------------|
| 1. | Bovenste deksel | 5. | Boei |
| 2. | Mistdeksel | 6. | Knop |
| 3. | Waterreservoir | 7. | Omvormer PCB |
| 4. | Luchtuitlaat | | |

VÓÓR GEBRUIK

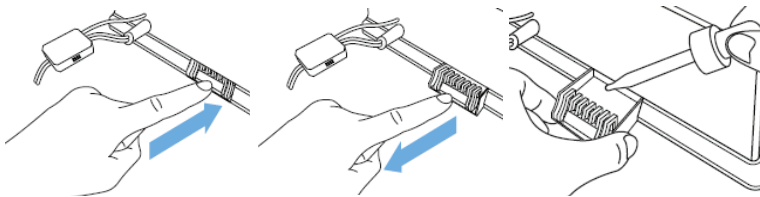
- Plaats de bevochtiger 30 minuten voordat u hem start in de kamer.
- Het is raadzaam om de bevochtiger te gebruiken wanneer de temperatuur lager is dan 20 °C en de relatieve vochtigheid lager is dan 80% RV.
- Gebruik schoon water van maximaal 40 °C.
- Controleer of het waterreservoir schoon is.
- Plaats de bevochtiger op een vlakke ondergrond.

WATERFILTER

- Keramische kogels kunnen het harde water verzachten.
- Een keramische filter kan de vreemde geur van het water elimineren.

AROMADOOS

1. Druk de aromadoos uit de basis.
2. Gebruik een in water oplosbare aromaolie en doe deze op de spons.
3. Plaats de aromadoos terug in de bevochtiger; de aromafunctie blijft ingeschakeld wanneer de bevochtiger draait.
4. Reinig de spons in de aromadoos om de aromafunctie te stoppen of om de bevochtiger op te bergen.
5. Doe aromaolie alleen in aromakatoen. Giet geen andere vloeistoffen dan schoon water in de watertank of het reservoir.



GEBRUIK

- Vul het water in de watertank via het bovenste deksel. U kunt ook de watertank verwijderen en het water rechtstreeks in de watertank vullen. Plaats daarna de watertank terug op de hoofdbasis.
- Controleer of de nominale spanning overeenkomt met de ingangsspanning en steek de stekker in het stopcontact. De bevochtiger gaat in stand-bymodus.
- Druk de aan-uitknop in. Als de watertank leeg is, is de knop rood. Druk de knop opnieuw in om de bevochtiger uit te schakelen.
- Als er voldoende water in de watertank zit en u op de knop drukt, werkt de bevochtiger op de laagste snelheid met een paarse knop. Als u de knop opnieuw indrukt, verhoogt de bevochtiger de snelheid en wordt de knop groen. Als u de knop voor de derde keer indrukt, start de bevochtiger met de hoogste snelheid en wordt de knop blauw. Druk nog een keer op de knop om de bevochtiger uit te schakelen. Er zijn in totaal drie snelheden.
- Elke keer dat u de knop indrukt, piept hij. Wanneer de watertank leeg is, laat de bevochtiger drie pieptonen horen als waarschuwing, wordt de knop rood en stopt de bevochtiger met werken. Vul het waterreservoir bij, druk de knop in en het apparaat wordt opnieuw gestart.
- Til de watertank niet op van de hoofdbasis wanneer de bevochtiger ingeschakeld is. Hierdoor wordt de bevochtiger uitgeschakeld. Plaats de watertank terug en de bevochtiger werkt in de vorige modus.

PROBLEEMOPLOSSING

Probleem	Mogelijke oorzaken	Oplossingen
Het voedingslampje is uit wanneer de bevochtiger ingeschakeld is.	De stekker zit niet in het stopcontact.	Steek de stekker van de luchtbevochtiger in een stopcontact met stroomvoorziening.
	Het netsnoer is beschadigd.	Stop onmiddellijk met het gebruik en neem contact op met de klantenservice.
	De bevochtiger is defect of werkt niet.	Druk op de aan-uitknop om hem in te schakelen.
Het voedingslampje brandt als de bevochtiger ingeschakeld is, maar er komt geen nevel uit.	De bevochtiger is niet ingeschakeld.	Druk op de aan-uitknop om hem in te schakelen.
	De doelvochtigheid is bereikt.	Verhoog de doelvochtigheid of wijzig de modus.
Het indicatie-lampje voor water-tekort brandt.	Geen water in de watertank.	Vul de watertank bij en wacht ten minste één minuut.
	Het waterniveau is laag.	
	Het vereiste waterpeil heeft het verdampingscompartiment nog niet bereikt.	Wacht ten minste één minuut.
	De watertank is niet goed geplaatst.	Controleer de positie van de tank op de basis.
	De bevochtiger staat niet op een vlakke ondergrond.	Controleer de positie van de bevochtiger.
De bevochtiger produceert een ongewone geur.	De bevochtiger is nieuw.	Verwijder de watertank, open het deksel en laat de bevochtiger 12 uur in de koelstand staan.
	Het water is vuil of is te lang blijven staan.	Reinig de watertank en vul hem met schoon water.
	Restgeur van verspreide aromaolie op het aromakatoen.	Verwijder het aromakatoen, spoel het af onder schoon water en laat het drogen.

De bevochtiger maakt een luid of ongewoon geluid.	Resonantie in watertank wanneer het water te laag is.	Vul de watertank met water.
	De bevochtiger bevindt zich op een instabiel oppervlak.	Verplaats de bevochtiger naar een stabiele vlakke ondergrond.
	De watertank is verkeerd geplaatst.	Schakel de bevochtiger uit en haal de stekker uit het stopcontact, lijn vervolgens het deksel van de watertank uit met de betreffende opening in de binnenkamer.
	De bevochtiger werkt niet.	Stop onmiddellijk met het gebruik en neem contact op met de klantenservice.
De bevochtigingscapaciteit is te laag.	Er is een natuurlijke of kunstmatige luchtvervangings in de kamer die de stijging van de relatieve luchtvochtigheid verstoort.	Controleer of deuren en ramen gesloten zijn. Controleer of er geen airconditioning in de kamer werkt.
	De luchtinlaatroosters en het mondstuk kunnen geblokkeerd zijn.	Verwijder eventuele verstoppingen van de roosters en het mondstuk.
	Te veel aanslag in het waterreservoir.	Reinig de omvormer.
	De geselecteerde vochtigheid is te laag.	Verhoog de neveluitvoersnelheid. Verhoog de vochtigheidsinstelling.
	Het water is te vuil of het water blijft te lang in de tank staan.	Reinig de watertank en vul hem met schoon water.
Er is condensatie in de kamer.	De kamertemperatuur is te laag.	Verwarm de kamer.
Er komt plotseling geen nevel meer uit de bevochtiger.	Het indicatielampje voor watertekort brandt.	Vul de watertank bij.

De bedieningsknop werkt niet.	De handen zijn te nat wanneer het bedieningspaneel bediend wordt.	Houd uw handen droog terwijl u het bedieningspaneel bedient.
	De bevochtiger werkt niet.	Neem contact op met de klantenservice.
Rondom de bevochtiger verschijnt wit stof.	Het gebruikte water heeft een hoog mineraalgehalte.	Gebruik gedestilleerd water met de bevochtiger. Als er geen gedestilleerd water beschikbaar is, gebruik dan gezuiverd of gefilterd water.
	De bevochtiger is na het laatste gebruik niet goed gereinigd.	Reinig de bevochtiger.
Er komt nevel uit de basis.	De watertank is niet correct geplaatst.	Schakel de bevochtiger uit en haal de stekker uit het stopcontact, lijn vervolgens het deksel van de watertank uit met de betreffende opening in de binnenkamer.
Er komt nevel uit de bevochtiger rond het mondstuk.	Er zitten openingen tussen het mondstuk en de watertank.	Plaats het deksel terug en controleer of het mondstuk goed in het deksel gestoken is.

Het volgende wordt niet beschouwd als een onjuiste werking:

- Als uw water erg hard is (met abnormaal hoge mineralenniveaus), kan de bevochtiger wit stof produceren. Dit is geen storing. De oplossing bestaat erin de filter vaker te reinigen of zachter water te gebruiken.
- Als u erg dicht bij de bevochtiger staat, hoort u een borrelend geluid van water. Dit is normaal.
- De bevochtiger werkt heel stil, maar is niet volledig stil. Geluidsniveaus lager dan 35 dB(A) worden als normaal beschouwd.

ONDERHOUD

Als het water hard is, wat betekent dat het water te veel calcium en magnesium bevat, kan dit een 'wit poeder' veroorzaken en zware aanslag achterlaten op het oppervlak van het waterreservoir, de omvormer en het binnenoppervlak van de watertank. Door aanslag op het oppervlak van de omvormer kan de bevochtiger niet goed werken.

Gebruik koud gekookt water of gedestilleerd water.

Leeg de tank en vul hem om de drie dagen bij. Reinig de bevochtiger voor het bijvullen met schoon leidingwater of reinigingsmiddel, indien dit door de fabrikant vereist wordt. Verwijder eventuele aanslag, afzettingen of folie die zich aan de zijkanten van de tank of aan de binnenkant gevormd heeft en veeg alle oppervlakken droog.

Leeg en reinig de bevochtiger voordat u hem opbergt. Reinig de bevochtiger vóór het volgende gebruik.

REINIGING VAN DE OMVORMER

- Reinig met schoon water of citroenzuur als er kalk in zit.
- Borstel de aanslag van het oppervlak.
- Spoel de omvormer met schoon water.

REINIGING VAN HET RESERVOIR

- Reinig het waterreservoir met een zachte doek of gebruik citroenzuur als er aanslag is.
- Als de aanslag de veiligheidsschakelaar bedekt, doe er dan wat citroenzuur op en laat dit twee tot vijf minuten inwerken. Reinig daarna met een borstel.
- Spoel de watertank met schoon water.

REINIGING VAN DE KERAMISCHE FILTER

- Reinig en activeer de keramische kogel na gebruik van 1000 liter water. Afhankelijk van de waterkwaliteit. Als de keramische kogel vuil is, moet deze vaker gereinigd worden.
- Hij kan vijf minuten in azijn ondergedompeld en daarna met water afgespoeld worden.
- Plaats de filter vier tot zes uur in de zon om te drogen.



GARANTIE

Wilfa biedt voor dit product een garantie van vijf jaar. Deze periode start op de dag van de aankoop. De garantie dekt storingen of defecten die tijdens de garantieperiode in het product optreden. Uw aankoopbon is uw garantiebewijs voor de verkoper als u aanspraak maakt op de garantie.

De garantie is uitsluitend geldig voor producten die voor huishoudelijke toepassing gekocht en gebruikt werden. De garantie is niet geldig als het product voor commerciële doeleinden gebruikt wordt. De garantie is niet geldig als het product onjuist of nalatig gebruikt werd, als de Wilfa-instructies niet opgevolgd zijn, als het apparaat gewijzigd werd of als er een ongeoorloofde reparatie uitgevoerd werd. De garantie is ook niet geldig voor normale slijtage van het product, verkeerd gebruik, gebrekkig onderhoud, gebruik van onjuiste elektrische spanning, of:

- Niet ontkalkt volgens de instructies in de handleiding
- Overbelasting van het product
- Onderdelen die normaal versleten zijn
- Onderdelen die regelmatig vervangen moeten worden (zoals filters, batterijen enz.)

PRODUCTSPECIFICATIES

220 V~240 V~50/60 Hz

4L

300ml/H

ONDERSTEUNING EN RESERVEONDERDELEN

Ga voor ondersteuning naar **wilfa.com** en raadpleeg onze klantenservice-/ondersteuningspagina. Hier vindt u veelgestelde vragen, reserveonderdelen, tips en trucs en al onze contactgegevens.

RECYCLING



Deze markering geeft aan dat u dit product in de gehele Europese Unie niet met ander huishoudelijk afval mag meegeven. Om mogelijke schade aan het milieu of de gezondheid van mensen als gevolg van ongecontroleerde afvalverwijdering te voorkomen, dient het product op een verantwoorde manier gerecycled te worden om duurzaam hergebruik van materialen te stimuleren. Gebruik de retour- en inzamelingsystemen om uw gebruikte apparaat in te leveren, of neem contact op met de winkel waar u het product hebt gekocht. De winkel kan dit product in ontvangst nemen om het op veilige en milieuverantwoorde wijze te recyclen.

NL

PL

SPIS TREŚCI

- 116 WAŻNE INSTRUKCJE DOTYCZĄCE
BEZPIECZEŃSTWA
- 121 OPIS OGÓLNY PRODUKTU
- 122 PRZED UŻYCIEM
- 123 KORZYSTANIE Z URZĄDZENIA
- 124 ROZWIĄZYWANIE PROBLEMÓW
- 127 KONSERWACJA
- 128 GWARANCJA
- 129 DANE TECHNICZNE PRODUKTU
- 129 POMOC TECHNICZNA I CZĘŚCI ZAMIENNE
- 129 MOŻLIWOŚĆ RECYKLINGU

PL

WAŻNE INSTRUKCJE DOTYCZĄCE BEZPIECZEŃSTWA

- W celu zapewnienia bezpieczeństwa i zmniejszenia ryzyka odniesienia obrażeń ciała lub porażenia prądem elektrycznym należy przestrzegać wszystkich poniższych środków ostrożności.
- Ten nawilżacz może być używany przez dzieci od lat 8 i osoby z niepełnosprawnością fizyczną, sensoryczną i umysłową oraz brakiem doświadczenia i wiedzy, pod warunkiem zapewnienia nadzoru lub udzielenia instrukcji dotyczących korzystania z nawilżacza w bezpieczny sposób oraz o ile taka osoba zdaje sobie sprawę z ewentualnych zagrożeń. Dzieci nie mogą używać nawilżacza do zabawy. Czynności związane z czyszczeniem oraz konserwacją w zakresie użytkownika nie powinny być wykonywane przez dzieci bez nadzoru.
- Przed użyciem nawilżacza sprawdź, czy napięcie elektryczne w sieci ma taką samą wartość, jak podana na tabliczce znamionowej.
- Zawsze ustawiaj nawilżacz na stabilnej, płaskiej i poziomej powierzchni. Unikaj wystawiania na bezpośrednie działanie promieni słonecznych i zawsze trzymaj z dala od ścian i źródeł ciepła, takich jak piece, grzejniki itp. **Ostrzeżenie:** Nawilżacz może nie działać prawidłowo, jeśli nie stoi na poziomej powierzchni.

- Nie wkładaj ani nie wyjmuj wtyczki elektrycznej nawilżacza mokrymi dłońmi.
- Jeśli przewód zasilający zostanie uszkodzony, musi zostać wymieniony przez producenta, autoryzowany serwis lub osoby o odpowiednich kwalifikacjach, aby uniknąć zagrożenia.
- Aby zmniejszyć ryzyko porażenia prądem, nie wykręcaj śrub. Nawilżacz nie zawiera żadnych części, które mogą być naprawiane przez użytkownika. Wszystkie prace konserwacyjne powierzaj wykwalifikowanemu personelowi.
- Napełnij zbiornik destylowaną lub demineralizowaną wodą (słodką). Nie wlewaj żadnych innych płynów do zbiornika na wodę ani do zasobnika wody. Nie uruchamiaj nawilżacza, gdy w zbiorniku lub zasobniku nie ma wody.
- Nie potrząsaj nawilżaczem, ponieważ może to spowodować rozlanie wody na podstawę nawilżacza.
- Nigdy nie dotykaj wody ani elementów działającego nawilżacza.
- W przypadku, gdy podczas korzystania z nawilżacza w sposób podany w niniejszej instrukcji pojawi się nietypowy zapach, wyłącz nawilżacz, odłącz go od zasilania i przekaz sprzedawcy w celu sprawdzenia.

- Nie wlewaj do zbiornika gorącej wody (o temperaturze powyżej 40°C).
- Nie zanurzaj nawilżacza, przewodu ani wtyczki w wodzie ani w innych płynach.
- Nigdy nie czyść przetwornika twardym narzędziem. Nawilżacz powietrza musi być regularnie czyszczony. Instrukcje czyszczenia zamieszczono w tym podręczniku.
- Zachłapanie płynem wnętrza nawilżacza może spowodować poważne uszkodzenia. Natychmiast wyłącz zasilanie sieciowe. Wyjmij wtyczkę z gniazdka i skonsultuj się ze sprzedawcą.
- Odłącz nawilżacz od zasilania, gdy nie jest używany i gdy chcesz go umyć.
- Upewnij się, że kabel zasilający nie styka się z gorącą powierzchnią ani nie zwisa przez krawędź stołu.
- Nigdy nie używaj nawilżacza w pomieszczeniu, w którym są używane aerozole ani w pomieszczeniu, w którym podaje się tlen.
- Nie kładź ubrań ani ręczników na nawilżaczu. Niedrożna dysza może powodować nieprawidłowe działanie nawilżacza.

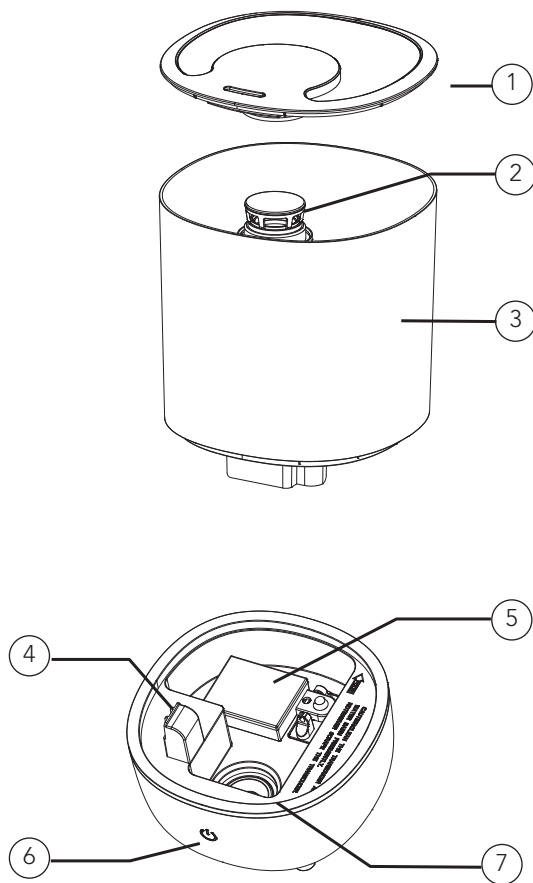
- Podczas przemieszczania nawilżacza podnoś go za podstawę, a nie za zbiornik wody.
- Nie używaj nawilżacza, jeśli powietrze w pomieszczeniu jest już wystarczająco wilgotne.
- Idealny poziom wilgotności względnej w strefie komfortu człowieka wynosi od 45% do 65%. Nadmierna wilgotność objawia się kondensacją na zimnych powierzchniach lub zimnych ścianach pomieszczenia. Aby prawidłowo zmierzyć wilgotność w pomieszczeniu, użyj higrometru dostępnego w większości specjalistycznych sklepów i hipermarketów.
- To urządzenie jest przeznaczone wyłącznie do użytku w pomieszczeniach, na potrzeby gospodarstwa domowego; nie jest ono przeznaczone do zastosowań komercyjnych ani przemysłowych.
- Odłącz urządzenie od zasilania podczas napełniania i czyszczenia.
- Dopilnuj, aby obszar wokół nawilżacza nie był wilgotny ani mokry. W przypadku wystąpienia wilgoci zmniejsz intensywność nawilżania. Jeśli nie można zmniejszyć intensywności nawilżania, używaj nawilżacza z przerwami. Zwracaj uwagę, aby nie doszło do zawilgocenia materiałów chłonnych, takich jak dywany, zasłony, serwety lub obrusy.

- Nigdy nie zostawiaj wody w zbiorniku, gdy urządzenie nie jest używane.
- Przed odłożeniem do przechowywania opróżnij nawilżacz z wody i umyj go. Przed kolejnym użyciem nawilżacza umyj go.
- Woda w zbiorniku musi być regularnie wymieniana, a sam zbiornik prawidłowo czyszczony co 3 dni, w przeciwnym razie w zbiorniku wody mogą rozwijać się mikroorganizmy obecne w wodzie i w środowisku, które następnie zostaną rozpylone w powietrzu, powodując bardzo poważne zagrożenie dla zdrowia.
- Nigdy nie zostawiaj wody w zbiorniku, gdy urządzenie nie jest używane.
- Wymieniaj wodę co trzy dni.

PL



OPIS OGÓLNY PRODUKTU



- | | | | |
|----|------------------------|----|---------------------|
| 1. | Pokrywa górna | 5. | Pływak |
| 2. | Pokrywa przeciwmgielna | 6. | Przycisk |
| 3. | Zbiornik na wodę | 7. | Płytkę przetwornika |
| 4. | Wylot powietrza | | |

PL

PRZED UŻYCIEM

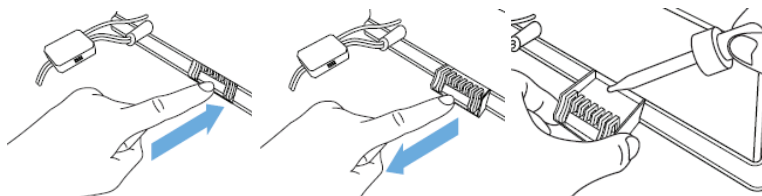
- Ustaw nawilżacz w pomieszczeniu na 30 minut przed uruchomieniem.
- Stosowanie nawilżacza zaleca się, gdy temperatura powietrza nie przekracza 20°C, a wilgotność względna jest niższa od 80%.
- Używaj czystej wody o temperaturze nieprzekraczającej 40°C.
- Sprawdź, czy zasobnik na wodę jest czysty.
- Ustaw nawilżacz na płaskiej powierzchni.

FILTR WODY

- Kulki ceramiczne mogą zmiękczyć twardą wodę.
- Filtr ceramiczny może eliminować nietypowy zapach wody.

DYFUZOR ZAPACHOWY

1. Wyciśnij dyfuzor zapachowy z podstawy.
2. Nalej na gąbkę niewielką ilość olejku aromatycznego rozpuszczalnego w wodzie.
3. Umieść dyfuzor zapachowy z powrotem w nawilżaczu. Funkcja aromaterapii pozostanie włączona podczas pracy nawilżacza.
4. Aby wyłączyć funkcję aromaterapii i w ramach przygotowania nawilżacza do przechowywania, wyczyść gąbkę w dyfuzorze zapachowym.
5. Olejek aromatyczny należy zakraplać wyłącznie na bawełnę w dyfuzorze. Ani do zbiornika na wodę ani do zasobnika nie wolno wlewać żadnych innych płynów, oprócz wody.



KORZYSTANIE Z URZĄDZENIA

- Zdejmij pokrywę górną i napełnij zbiornik wodą. Możesz również wyjąć zbiornik, aby go napełnić. Następnie umieść zbiornik z powrotem na podstawie głównej.
- Sprawdź, czy napięcie znamionowe odpowiada napięciu w sieci elektrycznej i podłącz wtyczkę do gniazdka. Nawilżacz przejdzie w tryb gotowości.
- Dotknij przycisku ON/OFF. Jeśli zbiornik na wodę jest pusty, przycisk będzie miał kolor czerwony. Ponownie dotknij przycisku, aby wyłączyć nawilżacz.
- Jeśli w zbiorniku jest wystarczająca ilość wody, po naciśnięciu przycisku nawilżacz zacznie działać z najniższą intensywnością, a przycisk zmieni kolor na fioletowy. Ponowne dotknięcie przycisku spowoduje zwiększenie intensywności nawilżania, a przycisk zmieni kolor na zielony. Po trzecim dotknięciu nawilżacz będzie pracował z najwyższą intensywnością, a przycisk zmieni kolor na niebieski. Kolejne naciśnięcie wyłączy nawilżacz. Nawilżacz ma 3 poziomy intensywności nawilżania.
- Po każdym dotknięciu przycisku emitowany jest sygnał dźwiękowy. Gdy zbiornik wody jest pusty, nawilżacz emituje 3 sygnały ostrzegawcze, przycisk zmienia kolor na czerwony i nawilżacz przestaje działać. Napełnij zbiornik wody, po dotknięciu przycisku urządzenie uruchomi się ponownie.
- Gdy nawilżacz jest włączony, zdjęcie zbiornika wody z podstawy głównej spowoduje jego wyłączenie. Po odstawieniu zbiornika na podstawę nawilżacz wróci do działania w tym samym trybie.

ROZWIĄZYWANIE PROBLEMÓW

Problem	Możliwe przyczyny	Rozwiązania
Po włączeniu urządzenia lampka zasilania nie świeci się.	Nawilżacz nie jest podłączony do zasilania.	Podłącz nawilżacz do gniazdka sieci elektrycznej.
	Przewód zasilający jest uszkodzony.	Natychmiast odłącz zasilacz i skontaktuj się z działem obsługi klienta.
	Nawilżacz jest uszkodzony lub nie działa prawidłowo.	Naciśnij przycisk zasilania, aby go włączyć.
Po włączeniu urządzenia lampka zasilania świeci się, ale nie widać pary.	Nawilżacz nie jest włączony.	Naciśnij przycisk zasilania, aby go włączyć.
	W pomieszczeniu panuje wilgotność ustawiona w nawilżaczu.	Zwiększ nastawę wilgotności lub zmień tryb.
Świeci się wskaźnik braku wody.	Nie ma wody w zbiorniku.	Napełnij zbiornik wodą i odczekaj co najmniej 1 minutę.
	Niski poziom wody.	
	Poziom wody jest za niski i woda nie dociera do komory parownika.	Odczekaj co najmniej 1 minutę.
	Zbiornik wody nie jest prawidłowo ustawiony.	Sprawdź położenie zbiornika na podstawie.
Z nawilżacza wydobywa się nietypowy zapach	Nawilżacz stoi na nierównej powierzchni	Sprawdź ustawienie nawilżacza.
	Pierwsze użycie nowego nawilżacza.	Wymij zbiornik na wodę, otwórz pokrywę i pozostaw urządzenie na 12 godzin w chłodnym miejscu.
	Woda jest zanieczyszczona lub zbyt długo nie była zmieniana.	Wymyj zbiornik i napełnij go czystą wodą.
	Resztki olejku zapachowego pozostałe na bawełnie.	Wymij bawełnę, wypłucz w czystej wodzie i pozostaw do wyschnięcia.

Nawilżacz wydaje głośny lub nietypowy dźwięk.	Przy zbyt niskim poziomie wody w zbiorniku zachodzi zjawisko rezonansu.	Napełnij zbiornik wodą.
	Nawilżacz stoi na niestabilnej powierzchni.	Ustaw nawilżacz do stabilnej, płaskiej powierzchni.
	Zbiornik na wodę jest ustawiony nieprawidłowo.	Wyłącz nawilżacz, odłącz go od zasilania, a następnie wyrównaj pokrywę zbiornika wody z otworem w komorze wewnętrznej.
	Nawilżacz działa nieprawidłowo.	Natychmiast odłącz zasilacz i skontaktuj się z działem obsługi klienta.
Wydajność nawilżania jest zbyt niska.	W pomieszczeniu występuje naturalna lub sztuczna wymiana powietrza, która zakłóca wzrost wilgotności względnej.	Sprawdź, czy drzwi i okna są zamknięte. Upewnij się, że w pomieszczeniu nie działa klimatyzacja.
	Kratki wlotu powietrza i dysza mogą być niedrożne.	Udrożnij kratki i dyszę.
	Zbyt dużo kamienia w zbiorniku na wodę.	Wyczyść przetwornik.
	Wybrany poziom intensywności nawilżania jest zbyt niski.	Zwiększ poziom intensywności nawilżania. Zwiększ nastawę wilgotności.
	Woda w zbiorniku jest zanieczyszczona lub za długo nie była zmieniana.	Wymyj zbiornik i napełnij czystą, słodką wodą.
	W pomieszczeniu występuje kondensacja.	Temperatura w pomieszczeniu jest zbyt niska.
Para przestaje nagle wydobywać się z nawilżacza.	Świeci się wskaźnik braku wody.	Napełnij zbiornik wodą.

Przycisk sterowania nie działa	Próbujesz obsługiwać panel sterowania mokrymi dłońmi.	Podczas obsługi panelu sterowania dłonie powinny być suche.
	Nawilżacz działa nieprawidłowo.	Skontaktuj się z działem obsługi klienta.
Wokół nawilżacza pojawia się biały pył.	Używasz wody o wysokiej zawartości minerałów.	Używaj w nawilżaczu wody destylowanej. Jeśli woda destylowana nie jest dostępna, użyj wody oczyszczonej lub filtrowanej.
	Nawilżacz nie został prawidłowo wyczyszczony po ostatnim użyciu.	Wyczyść nawilżacz.
Para wydobywa się z podstawy.	Zbiornik na wodę nie jest ustawiony prawidłowo.	Wyłącz nawilżacz, odłącz go od zasilania, a następnie wyrównaj pokrywę zbiornika wody z otworem w komorze wewnętrznej.
Para wydobywa się z nasady dyszy.	Między dyszą a zbiornikiem wody znajdują się otwory.	Ponownie załóż pokrywę i sprawdź, czy dysza jest dobrze podłączona do pokrywy.

PL

Wymienione poniżej zjawiska nie są uważane za nieprawidłowe działanie:

- Jeśli woda jest bardzo twarda (zawiera bardzo dużo minerałów), nawilżacz może wytwarzać biały pył. To nie jest usterka. Rozwiązaniem jest częstsze czyszczenie filtra lub użycie miękkiej wody.
- W pobliżu nawilżacza słychać odgłosy przypominające gotowanie wody. To normalne zjawisko.
- Nawilżacz pracuje bardzo cicho, ale nie jest bezgłówny. Poziom hałasu poniżej 35 dB(A) jest uważany za normalny.

KONSERWACJA

Jeśli woda jest twarda, czyli zawiera zbyt dużo związków wapnia i magnezu, może powodować problem „białego proszku” i pozostawiać grube osady na powierzchni zasobnika, na przetworniku i wewnątrz zbiornika wody. Kamień na powierzchni przetwornika może doprowadzić do nieprawidłowego działania nawilżacza.

Używaj zimnej wody przegotowanej lub wody destylowanej.

Co trzy dni wymieniaj wodę w zbiorniku. Przed ponownym napełnieniem wypłucz go w wodzie z kranu lub umyj z użyciem środków czyszczących, jeśli jest to wymagane przez producenta. Usuń wszelki kamień, osady i warstwę filmu wewnątrz i na zewnątrz zbiornika, a następnie wytrzyj wszystkie powierzchnie do sucha.

Przed odłożeniem do przechowywania opróżnij nawilżacz z wody i umyj go. Przed kolejnym użyciem nawilżacza umyj go.

CZYSZCZENIE PRZETWORNIKA

- Umyj czystą wodą, a w przypadku osadów kamienia wodą z dodatkiem kwasu cytrynowego.
- Usuń kamień z powierzchni.
- Przepłucz przetwornik czystą wodą.

CZYSZCZENIE ZASOBNIKA

- Umyj zasobnik na wodę miękką szmatką; w przypadku osadów kamienia użyj wody z dodatkiem kwasu cytrynowego.
- Jeśli kamień osadził się na wyłączniku bezpieczeństwa, skrop go roztworem kwasu cytrynowego, odczekaj 2–5 minut i wyczyść szczotką.
- Wypłucz zbiornik czystą wodą.

CZYSZCZENIE FILTRA CERAMICZNEGO

- Po okresie odpowiadającym odparowaniu 1000 l wody wyczyść i aktywuj filtr ceramiczny. Długość tego okresu zależy od jakości wody. Jeśli filtr ceramiczny jest brudny, należy go oczyścić częściej.
- Można go zanurzyć w occie na 5 minut, a następnie spłukać wodą.
- Następnie wystaw filtr na słońce na 4–6 godzin, aby wyszechnął.

PL



GWARANCJA

Firma Wilfa obejmuje ten produkt 5-letnią gwarancją od daty zakupu. Gwarancja obejmuje wady produkcyjne lub usterki wynikłe w okresie gwarancji. W przypadku roszczeń z tytułu gwarancji dowodem dla sprzedawcy jest paragon lub inny dokument potwierdzający zakup.

Gwarancja obejmuje wyłącznie produkty zakupione i używane na potrzeby indywidualnych gospodarstw domowych. Komercyjna eksploatacja produktu powoduje unieważnienie gwarancji. Gwarancja zostanie unieważniona w przypadku niewłaściwego używania produktu, niedbałości, postępowania niezgodnego z instrukcjami podanymi przez firmę Wilfa, a także w przypadku modyfikacji produktu lub jego nieautoryzowanej naprawy. Gwarancja nie obejmuje ponadto normalnego zużycia, użycia niezgodnego z przeznaczeniem, braku konserwacji, podłączenia do nieprawidłowego napięcia elektrycznego oraz:

- Usuwanie kamienia niezgodnie z instrukcją obsługi
- Przeciążenia produktu
- Części, które zużywają się w wyniku normalnej eksploatacji
- Części, które należy regularnie wymieniać (np. filtr, akumulator itp.)

DANE TECHNICZNE PRODUKTU

220 V~240 V~50/60 Hz

4L

300ml/H

POMOC TECHNICZNA I CZĘŚCI ZAMIENNE

Aby uzyskać pomoc techniczną, odwiedź stronę obsługi klienta/pomocy technicznej w naszej witrynie **wilfa.com**. Znajdziesz tam często zadawane pytania, listy części zamiennych, porady i wskazówki oraz wszystkie dane kontaktowe.

MOŻLIWOŚĆ RECYKLINGU



Ten znak wskazuje, że w Unii Europejskiej to urządzenie nie może być wyrzucane wraz z odpadami z gospodarstw domowych. Aby zapobiec możliwemu skażeniu środowiska lub zagrożeniom dla zdrowia ludzi z uwagi na niekontrolowaną utylizację odpadów, należy odpowiedzialnie przekazać je do recyklingu w celu promocji zrównoważonej gospodarki zasobami materiałowymi w zakresie ponownego użycia. Aby pozbyć się urządzenia po okresie eksploatacji, należy skorzystać z właściwego punktu zbiórki lub skontaktować się ze sprzedawcą, od którego kupiono produkt. W ten sposób produkt zostanie bezpłatnie przekazany do recyklingu bezpiecznego dla środowiska.

PL

FR

SOMMAIRE

132	CONSIGNES DE SÉCURITÉ IMPORTANTES
137	APERÇU DU PRODUIT
138	AVANT UTILISATION
139	UTILISATION
140	DÉPANNAGE
143	ENTRETIEN
144	GARANTIE
145	CARACTÉRISTIQUES DU PRODUIT
145	ASSISTANCE ET PIÈCES DÉTACHÉES
145	RECYCLAGE

FR

CONSIGNES DE SÉCURITÉ IMPORTANTES

- Suivre toutes les précautions de sécurité énumérées ci-dessous pour votre sécurité et pour réduire le risque de blessure ou de choc électrique.
- Cet humidificateur peut être utilisé par des enfants à partir de huit ans et des personnes en situation de handicap physique, mental ou sensoriel ou encore manquant de connaissances et d'expérience, si elles sont surveillées ou ont reçu des instructions sur l'utilisation sûre de l'humidificateur, et si elles ont conscience des risques inhérents. Interdire aux enfants de jouer avec l'humidificateur. Les enfants ne doivent pas procéder au nettoyage ni à la maintenance de l'appareil sans surveillance.
- Vérifier que la tension du secteur est identique à celle indiquée sur la plaque signalétique de l'humidificateur avant de s'en servir.
- Toujours placer l'humidificateur sur une surface solide, plane et nivelée. Éviter toute exposition à la lumière directe du soleil et toujours le tenir à l'écart des murs et des sources de chaleur telles que les poêles, les radiateurs, etc. **Avertissement :** L'humidificateur peut ne pas fonctionner correctement s'il n'est pas placé sur une surface plane.

- Ne pas insérer ou retirer la prise électrique de l'humidificateur avec les mains mouillées.
- Si le câble du secteur est endommagé, le faire remplacer par le fabricant, un technicien de service ou une autre personne dotée de compétences similaires pour éviter tout danger.
- Pour réduire le risque de choc électrique, ne pas retirer les vis. L'humidificateur ne comprend aucune pièce réparable par l'utilisateur. Confier tous les travaux de maintenance à du personnel qualifié.
- Remplir le réservoir d'eau fraîche, distillée ou déminéralisée. Ne pas déverser d'autres liquides dans le réservoir d'eau ou le bac à eau. Ne pas faire fonctionner l'humidificateur en l'absence d'eau dans le réservoir ou le bac à eau.
- Ne pas secouer l'humidificateur, au risque de provoquer un déversement d'eau dans la base de l'humidificateur.
- Ne jamais toucher l'eau ou les composants pendant le fonctionnement de l'humidificateur.
- En cas d'odeur inhabituelle lors de l'utilisation comme décrit dans ce manuel, éteindre l'humidificateur, le débrancher et le faire examiner par votre revendeur.

- Ne pas verser d'eau chaude dans le réservoir, c'est-à-dire à une température supérieure à 40 °C.
- Ne pas plonger l'humidificateur, le câble d'alimentation ou la prise dans de l'eau ou d'autres liquides.
- Ne jamais employer d'outil dur pour gratter la surface du transducteur. L'humidificateur doit être nettoyé régulièrement. Pour ce faire, se reporter aux instructions de nettoyage de ce manuel.
- Tout déversement de liquide dans l'humidificateur peut causer de graves dommages. Si cela arrive, le mettre immédiatement hors tension. Débrancher la fiche secteur et contacter le revendeur.
- Débrancher l'humidificateur de l'alimentation électrique lorsqu'il n'est pas utilisé et avant le nettoyage.
- S'assurer que le câble secteur ne touche pas de surface chaude et qu'il ne dépasse pas le bord d'une table.
- Ne jamais utiliser cet humidificateur dans une pièce où sont utilisés des produits aérosols (sprays) ou dans une pièce dans laquelle est administré de l'oxygène.
- Ne pas placer de vêtements ou de serviettes sur l'humidificateur. Une obstruction de la

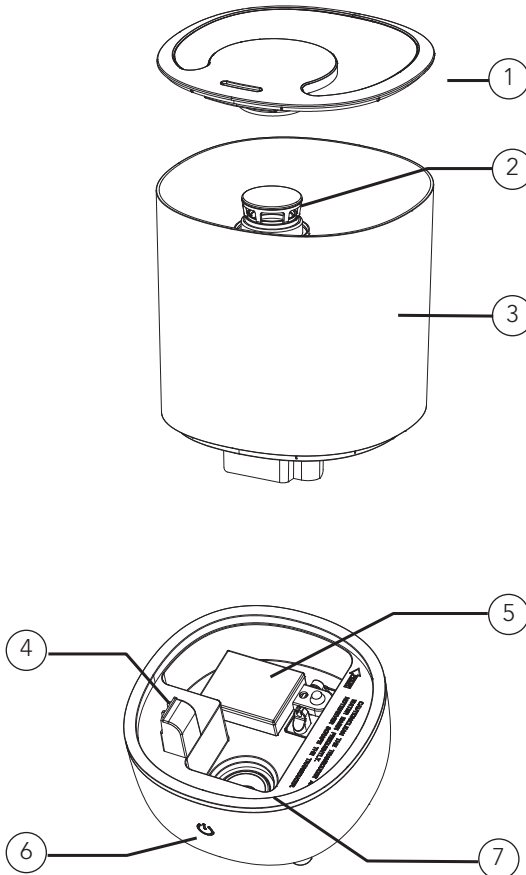
buse peut entraîner un dysfonctionnement de l'humidificateur.

- Pour déplacer l'humidificateur, le soulever par la base et non par le réservoir d'eau.
- Ne pas utiliser l'humidificateur si l'air de la pièce est déjà suffisamment humide.
- Le taux d'humidité relative idéal pour le confort humain se situe en réalité entre 45 % et 65 %. Une humidité excessive apparaît sous forme de condensation sur les surfaces froides ou les parois froides de la pièce. Pour mesurer correctement l'humidité de la pièce, utiliser un hygromètre disponible dans la plupart des magasins spécialisés et des hypermarchés.
- Cet appareil est conçu pour un usage domestique intérieur uniquement, et non pour une utilisation commerciale ou industrielle.
- Débrancher l'appareil pendant le remplissage et le nettoyage.
- Ne pas laisser la zone autour de l'humidificateur s'humidifier ou se mouiller. En cas d'humidité, baisser la sortie de l'humidificateur. Si le volume de sortie de l'humidificateur ne peut pas être diminué, utiliser l'humidificateur par intermittence. Ne pas laisser les matériaux absorbants, tels que les tapis, rideaux ou nappes, s'humidifier.

- Ne jamais laisser d'eau dans le réservoir lorsque l'appareil n'est pas utilisé.
- Vider et nettoyer l'humidificateur avant de le ranger. Nettoyer l'humidificateur avant la prochaine utilisation.
- Les micro-organismes qui peuvent être présents dans l'eau ou dans l'environnement dans lequel l'appareil est utilisé ou stocké peuvent se développer dans le réservoir d'eau et être expulsés dans l'air, ce qui entraîne des risques très graves pour la santé si l'eau n'est pas renouvelée, et le réservoir n'est pas correctement nettoyé tous les 3 jours.
- Ne jamais laisser d'eau dans le réservoir lorsque l'appareil n'est pas utilisé.
- Nettoyer l'eau tous les trois jours.



APERÇU DU PRODUIT



1. Capot supérieur
2. Capot vapeur
3. Réservoir d'eau
4. Sortie d'air

5. Bouée
6. Bouton
7. Transducteur PCB

FR

AVANT UTILISATION

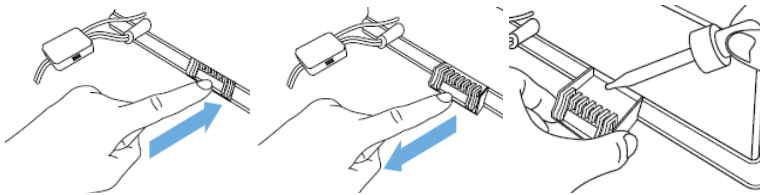
- Placer l'humidificateur dans la pièce 30 minutes avant de le démarrer.
- Il est recommandé d'utiliser l'humidificateur lorsque la température est inférieure à 20 °C et que l'humidité relative est inférieure à 80 %.
- Utiliser de l'eau claire n'excédant pas les 40 °C.
- Vérifier le bac à eau, s'assurer qu'il est limpide.
- Placer l'humidificateur sur une surface plane.

FILTRE À EAU

- Les boules en céramique peuvent adoucir l'eau dure.
- Le filtre en céramique peut éliminer l'odeur désagréable de l'eau.

BOÎTE D'ARÔMES

1. Sortir la boîte d'arômes de la base.
2. Verser une huile aromatique soluble dans l'eau sur l'éponge.
3. Remettre la boîte aromatique dans l'humidificateur ; la fonction aromatique reste activée lorsque l'humidificateur est en marche.
4. Pour interrompre la fonction aromatique ou au moment de ranger l'humidificateur, nettoyer l'éponge de la boîte d'arômes.
5. Verser uniquement de l'huile aromatique dans le coton aromatique. Ne pas déverser de liquides, hormis l'eau propre, dans le réservoir d'eau ou le bac à eau.



UTILISATION

- Remplir le réservoir d'eau depuis le couvercle supérieur. Autrement, sortir le réservoir d'eau, et le remplir d'eau directement. Remettre ensuite le réservoir d'eau dans la base principale.
- Vérifier si la tension nominale correspond à la tension d'entrée et brancher dans la prise. L'humidificateur passe en mode veille.
- Appuyer sur le bouton ON/OFF. Si le réservoir d'eau est vide, le bouton sera rouge. Toucher à nouveau le bouton et l'humidificateur s'éteint.
- S'il y a suffisamment d'eau dans le réservoir d'eau et si vous appuyez sur le bouton, l'humidificateur fonctionne à la vitesse la plus basse avec le bouton mauve. Appuyer à nouveau sur le bouton, pour que l'humidificateur augmente la vitesse et que le bouton devienne vert. À la troisième pression, l'humidificateur démarre à la vitesse la plus élevée et le bouton devient bleu. Appuyer une fois de plus pour éteindre l'humidificateur. Au total 3 vitesses sont disponibles.
- À chaque appui sur le bouton, un signal sonore retentit. Lorsque le réservoir d'eau est vide, l'humidificateur émet trois signaux sonores d'avertissement, le bouton devient rouge et l'humidificateur cesse de fonctionner. Remplir le réservoir d'eau, toucher le bouton et il redémarrera.
- Lorsque l'humidificateur est allumé, ne pas soulever le réservoir d'eau de la base principale, car cela l'éteint. Remettre le réservoir d'eau en place et l'humidificateur fonctionnera en mode précédent.

DÉPANNAGE

Problème	Causes possibles	Solutions
Le voyant d'alimentation est éteint lorsque l'appareil est allumé.	L'humidificateur n'est pas branché.	Brancher l'humidificateur à une prise de courant.
	Le cordon d'alimentation est endommagé.	Cesser immédiatement d'utiliser l'appareil et contacter le Service clients.
	L'humidificateur est défectueux ou ne fonctionne pas correctement.	Appuyer sur le bouton pour l'allumer.
Le voyant d'alimentation est allumé à la mise sous tension, mais aucune vapeur ne s'échappe.	L'humidificateur n'est pas allumé.	Appuyer sur le bouton pour l'allumer.
	L'humidité cible est atteinte.	Augmenter l'humidité cible ou changer de mode.
Le témoin de manque d'eau est allumé.	Pas d'eau dans le réservoir.	Remplir le réservoir d'eau pendant au moins une minute.
	Le niveau d'eau est trop bas.	
	Le niveau d'eau requis n'a pas encore atteint le compartiment de vaporisation.	Attendre au moins une minute.
	Le réservoir d'eau n'est pas bien positionné.	Vérifier le positionnement du réservoir sur la base.
	L'humidificateur n'est pas sur une surface plane	Vérifier le positionnement de l'humidificateur.

L'humidificateur émet une odeur inhabituelle	L'humidificateur est neuf.	Sortir le réservoir d'eau, ouvrir le couvercle et le laisser refroidir pendant 12 heures.
	Eau sale ou trop ancienne.	Nettoyer le réservoir d'eau, le remplir d'eau claire.
	Odeur résiduelle de la diffusion d'huile aromatique sur le coton aromatique.	Retirer le coton aromatique, le rincer à l'eau claire et le laisser sécher.
L'humidificateur émet un son fort ou inhabituel.	Résonant dans le réservoir d'eau lorsque l'eau est trop faible.	Remplir le réservoir d'eau.
	L'humidificateur se trouve sur une surface instable.	Déplacer l'humidificateur sur une surface plane et stable.
	Le réservoir d'eau est mal positionné.	Éteindre et débrancher l'humidificateur, puis aligner le couvercle du réservoir d'eau avec son ouverture respective dans la chambre intérieure.
	L'humidificateur ne fonctionne pas correctement.	Cesser immédiatement d'utiliser l'appareil et contacter le Service clients.
La capacité d'humidification est trop faible.	L'air de la pièce est renouvelé de manière naturelle ou artificielle, ce qui interfère avec l'augmentation de l'humidité relative.	Vérifier que les portes et les fenêtres sont fermées.
		Vérifier si la climatisation ne fonctionne pas dans la pièce.
	Les grilles d'entrée d'air et la buse peuvent être obstruées.	Retirer tous les éléments bloquants des grilles et de la buse.
	Trop de tartre dans le bac à eau.	Nettoyer le transducteur.
	Le taux d'humidité sélectionné est trop faible.	Augmenter la vitesse de sortie de vapeur.
		Augmenter le taux d'humidité.
L'eau est trop sale ou restée trop longtemps dans le réservoir.	Nettoyer le réservoir d'eau, remplacer l'eau par de l'eau claire.	

Présence de condensation dans la pièce.	La température ambiante est trop basse.	Chauffer la pièce.
La vapeur cesse subitement de s'échapper.	Le témoin de manque d'eau est allumé.	Remplir le réservoir d'eau.
Le bouton de commande ne fonctionne pas	Les mains sont trop humides lors de l'utilisation du panneau de commande.	Garder les mains sèches en utilisant le panneau de commande.
	L'humidificateur est défectueux.	Contactez le Service clients.
De la poussière blanche apparaît autour de l'humidificateur.	L'eau utilisée présente une forte teneur en minéraux.	Utiliser de l'eau distillée avec l'humidificateur. Si vous ne disposez pas d'eau distillée, utiliser de l'eau purifiée ou filtrée.
	L'humidificateur n'a pas été correctement nettoyé après la dernière utilisation.	Nettoyer l'humidificateur.
De la vapeur sort de la base.	Le réservoir d'eau n'est pas positionné correctement.	Éteindre et débrancher l'humidificateur, puis aligner le couvercle du réservoir d'eau avec son ouverture respective dans la chambre intérieure.
De la vapeur d'eau s'échappe de la buse.	Il y a des ouvertures entre la buse et le réservoir d'eau.	Repositionner le couvercle et vérifier si la buse est bien branchée dans le couvercle.

FR

Les aspects suivants ne sont pas considérés comme un dysfonctionnement :

- Si votre eau est très dure (contenant des niveaux anormalement élevés de minéraux), l'humidificateur peut produire de la poussière blanche. Ce n'est pas un dysfonctionnement. La solution serait de nettoyer le filtre plus souvent ou d'utiliser de l'eau plus douce.
- Si vous vous tenez tout près de l'humidificateur, vous entendrez le gargouillement de l'eau. Cela est normal.
- L'humidificateur fonctionne très silencieusement, sans être complètement silencieux. Les niveaux de bruit inférieurs à 35 dB(A) sont considérés comme normaux.

ENTRETIEN

Si l'eau est dure, ce qui signifie que l'eau contient trop de calcium et de magnésium, cela peut provoquer un problème de « poudre blanche » et laisser des dépôts calcaires à la surface du bassin d'eau, du transducteur et de la surface intérieure du réservoir d'eau. Le tartre sur la surface du transducteur entraînera un dysfonctionnement de l'humidificateur.

Utiliser de l'eau bouillie froide ou distillée.

Vider le réservoir et le remplir tous les trois jours. Avant le remplissage, le nettoyer avec de l'eau du robinet fraîche ou des agents nettoyants si le fabricant l'exige. Retirer tout calcaire, dépôt ou film qui s'est formé sur les côtés du réservoir ou sur les surfaces intérieures et essuyer toutes les surfaces pour les sécher.

Vider et nettoyer l'humidificateur avant de le ranger. Nettoyer l'humidificateur avant la prochaine utilisation.

COMMENT NETTOYER LE TRANSDUCTEUR

- Nettoyer à l'eau propre ou de l'acide citrique s'il y a du tartre.
- Brosser le tartre de la surface.
- Rincer le transducteur à l'eau claire.

COMMENT NETTOYER LE BAC

- Nettoyer le bac à eau avec un chiffon doux ou utiliser de l'acide citrique s'il contient du tartre.
- Si l'interrupteur de sécurité est recouvert de tartre, y ajouter un peu d'acide citrique pendant 2 à 5 minutes, puis le nettoyer à l'aide d'une brosse.
- Rincer le réservoir d'eau à l'eau claire.

NETTOYAGE DU FILTRE EN CÉRAMIQUE

- Nettoyer et activer la bille en céramique après avoir utilisé 1 000 l d'eau. En fonction de la qualité de l'eau. Si la bille en céramique est sale, elle doit être nettoyée plus fréquemment.
- Elle peut être trempée dans du vinaigre pendant 5 minutes, puis rincée à l'eau.
- Placer le filtre au soleil pendant 4 à 6 heures pour le sécher.



GARANTIE

Wilfa offre une garantie de 5 ans sur ce produit à compter de la date d'achat. La garantie prend en charge les anomalies ou défauts de production survenant durant la période de garantie. Le reçu d'achat constitue votre preuve d'achat pour le revendeur en cas de recours à la garantie.

La garantie n'est valide que sur les produits achetés et utilisés pour un usage domestique. Elle n'est pas valide en cas d'utilisation commerciale du produit. La garantie ne s'applique pas en cas de mauvaise utilisation du produit, de négligence, de non-respect des consignes de Wilfa, de modification ou de réparation non autorisée. La garantie ne s'applique pas non plus en cas d'usure naturelle du produit, de mauvaise utilisation, de défaut d'entretien ou d'utilisation d'une tension électrique non adaptée ou :

- Détartrage non conforme aux instructions du mode d'emploi
- En cas de surcharge du produit
- Aux pièces concernées par une usure naturelle
- Aux pièces devant être remplacées régulièrement (par exemple, filtre, pile, etc.)

CARACTÉRISTIQUES DU PRODUIT

220 V~240 V~50/60 Hz

4L

300ml/H

ASSISTANCE ET PIÈCES DÉTACHÉES

Pour toute demande d'assistance, consulter le site **wilfa.com** et la page de notre service client/d'assistance. Cette page propose des réponses aux questions les plus fréquentes, des informations sur les pièces détachées, des conseils et astuces ainsi que toutes nos coordonnées.

RECYCLAGE



Ce marquage indique que l'élimination de ce produit avec les déchets ménagers est proscrite dans toute l'Union européenne. Pour éviter tout impact négatif sur l'environnement ou la santé humaine en raison d'une élimination inadéquate des déchets, recycler l'appareil de manière responsable, afin d'encourager la réutilisation durable des ressources matérielles. Pour retourner l'appareil usagé, recourir aux systèmes de retour et de collecte, ou contacter le revendeur auprès duquel le produit a été acheté. Celui-ci pourra reprendre le produit pour un recyclage gratuit, respectueux de l'environnement.

FR

IT

SOMMARIO

148	IMPORTANTI ISTRUZIONI DI SICUREZZA
153	COMPONENTI DELLA MACCHINA
154	PRIMA DELL'UTILIZZO
155	USO
156	RISOLUZIONE DEI PROBLEMI
159	MANUTENZIONE
160	GARANZIA
161	SPECIFICHE DEL PRODOTTO
161	ASSISTENZA E RICAMBI
161	RICICLABILITÀ

IMPORTANTI ISTRUZIONI DI SICUREZZA

- Seguire tutte le precauzioni elencate di seguito per la sicurezza e per ridurre il rischio di lesioni o scosse elettriche.
- Questo umidificatore può essere utilizzato da bambini di età non inferiore a 8 anni e da persone con capacità fisiche, sensoriali o mentali ridotte, o prive di esperienza o della necessaria conoscenza, purché siano sorvegliate o abbiano ricevuto istruzioni concernenti l'uso sicuro dell'umidificatore e ne comprendano i pericoli. I bambini non devono giocare con l'umidificatore. La pulizia e la manutenzione da parte dell'utente non devono essere effettuate da bambini non sorvegliati.
- Prima di utilizzare l'umidificatore, assicurarsi che la tensione dell'alimentazione elettrica corrisponda a quella indicata sulla targhetta dei dati nominali dell'umidificatore.
- Posizionare sempre l'umidificatore su una superficie solida, piatta e piana. Evitare l'esposizione alla luce diretta del sole e tenerlo sempre lontano da pareti e fonti di calore come stufe, radiatori, ecc. **Avvertenza:** L'umidificatore potrebbe non funzionare correttamente se non è posizionato su una superficie piana.
- Non collegare o scollegare la spina elettrica dell'umidificatore con le mani bagnate.

- Se il cavo di alimentazione è danneggiato, la sostituzione spetta al produttore, a un suo addetto all'assistenza o a un tecnico ugualmente qualificato al fine di evitare pericoli.
- Per ridurre il rischio di scosse elettriche, non rimuovere le viti. L'umidificatore non contiene componenti riparabili dall'utente. Tutti gli interventi di manutenzione devono essere eseguiti da personale qualificato.
- Riempire il serbatoio con acqua dolce, distillata o demineralizzata. Non far cadere altri liquidi nel serbatoio o nella vaschetta dell'acqua. Non mettere in funzione l'umidificatore quando non c'è acqua nel serbatoio o nella vaschetta dell'acqua.
- Non scuotere l'umidificatore in quanto ciò potrebbe causare la fuoriuscita di acqua nella base dell'umidificatore.
- Non toccare mai l'acqua o i componenti mentre l'umidificatore è in funzione.
- In caso di odore insolito durante l'uso, come descritto nel presente manuale, spegnere l'umidificatore, scollegarlo dalla presa di rete e farlo esaminare dal proprio rivenditore.
- Non versare acqua calda nel serbatoio, ad esempio a una temperatura superiore a 40 °C.

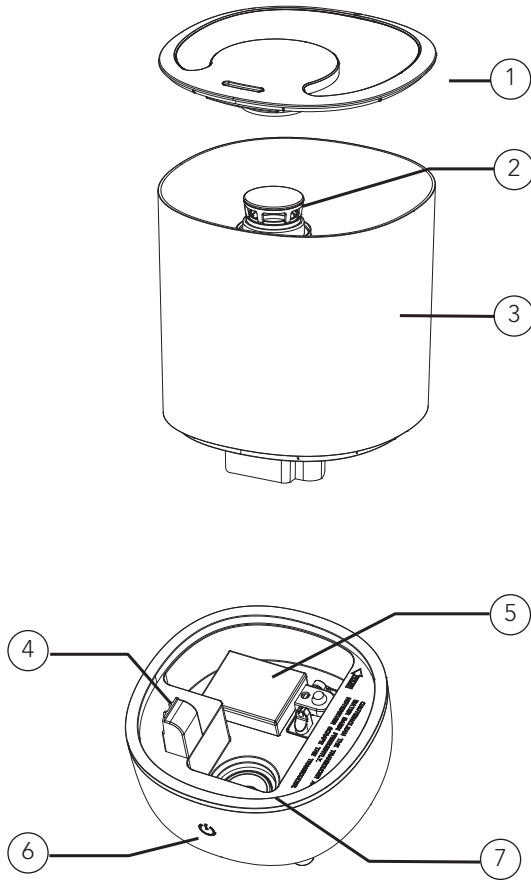
- Non immergere l'umidificatore, il cavo di alimentazione o la spina in acqua o in altri liquidi.
- Non raschiare mai il trasduttore con un utensile duro. L'umidificatore deve essere pulito regolarmente. A tal fine, fare riferimento alle istruzioni di pulizia contenute nel presente manuale.
- L'umidificatore può danneggiarsi gravemente se si versa del liquido al suo interno. In tal caso, scollegare immediatamente l'alimentazione di rete. Estrarre la spina di alimentazione e consultare il proprio rivenditore.
- Scollegare l'umidificatore dall'alimentazione quando non è in uso e prima della pulizia.
- Assicurarsi che il cavo di alimentazione non tocchi superfici calde e che non sporga dal bordo del tavolo.
- Non utilizzare mai questo umidificatore in un ambiente in cui vengono utilizzati prodotti aerosol (spray) o in un ambiente in cui viene somministrato ossigeno.
- Non posizionare indumenti o asciugamani sopra l'umidificatore. Se l'ugello è ostruito, l'umidificatore potrebbe non funzionare correttamente.
- Quando si sposta l'umidificatore, sollevarlo dalla base e non dal serbatoio dell'acqua.

- Non utilizzare l'umidificatore se l'aria nell'ambiente è già sufficientemente umida.
- Il livello ideale di umidità relativa per il comfort umano è infatti compreso tra il 45% e il 65%. L'umidità in eccesso si presenta sotto forma di condensa sulle superfici fredde o sulle pareti fredde della stanza. Per misurare correttamente l'umidità dell'ambiente, utilizzare un igrometro disponibile nella maggior parte dei negozi specializzati e degli ipermercati.
- Questo prodotto è destinato esclusivamente all'utilizzo in ambiente interno, non industriale, non commerciale; utilizzarlo solo in ambiente domestico.
- Scollegare l'apparecchio durante il riempimento e la pulizia.
- Evitare che l'area intorno all'umidificatore si inumidisca o si bagni. In caso di umidità, ridurre il flusso di uscita dell'umidificatore. Se il flusso di uscita dell'umidificatore non può essere ridotto, utilizzare l'umidificatore in modo intermittente. Evitare che i materiali assorbenti, come tappeti, tende, teli o tovaglie, si bagnino.
- Non lasciare mai acqua nel serbatoio quando l'apparecchio non è in uso.

- Svuotare e pulire l'umidificatore prima di riparlo. Pulire l'umidificatore prima del successivo utilizzo.
- I microrganismi che possono essere presenti nell'acqua o nell'ambiente in cui l'apparecchio viene utilizzato o immagazzinato possono proliferare nel serbatoio dell'acqua ed essere soffiati nell'aria causando gravi rischi per la salute quando l'acqua non viene rinnovata e se il serbatoio non viene pulito correttamente ogni 3 giorni.
- Non lasciare mai acqua nel serbatoio quando l'apparecchio non è in uso.
- Sostituire l'acqua ogni tre giorni.



COMPONENTI DELLA MACCHINA



- | | | | |
|----|--|----|------------------|
| 1. | Coperchio superiore | 4. | Uscita dell'aria |
| 2. | Coperchio di uscita della nebulizzazione | 5. | Galleggiante |
| 3. | Serbatoio dell'acqua | 6. | Pulsante |
| | | 7. | PCB trasduttore |

PRIMA DELL'UTILIZZO

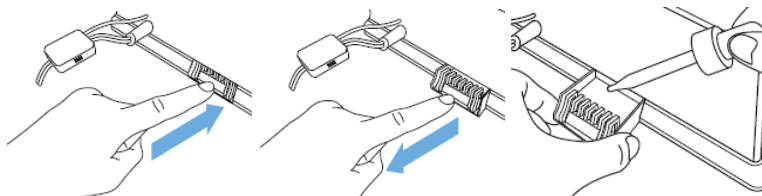
- Posizionare l'umidificatore nell'ambiente di utilizzo 30 minuti prima di avviarlo.
- Si raccomanda di utilizzare l'umidificatore quando la temperatura è inferiore a 20 °C e l'umidità relativa (UR) è inferiore all'80%.
- Utilizzare acqua pulita a temperatura non superiore a 40 °C.
- Controllare la vaschetta dell'acqua e assicurarsi che sia pulita.
- Posizionare l'umidificatore su una superficie piana.

FILTRO DELL'ACQUA

- Le sfere di ceramica possono addolcire l'acqua dura.
- Il filtro in ceramica può eliminare l'odore anomalo dell'acqua.

SCATOLA AROMI

1. Estrarre la scatola degli aromi dalla base.
2. Utilizzare olio aromatico solubile in acqua e versarlo sulla spugna.
3. Rimettere la scatola degli aromi nell'umidificatore, la funzione dell'aroma rimarrà attiva quando l'umidificatore è in funzione.
4. Per arrestare la funzione aroma o quando si ripone l'umidificatore, pulire la spugna nella scatola degli aromi.
5. Versare l'olio aromatico solo nel cotone aromatico. Non far cadere liquidi, ad eccezione dell'acqua pulita, nel serbatoio o nella vaschetta dell'acqua.



USO

- Riempire d'acqua il serbatoio dal coperchio superiore. In alternativa, estrarre il serbatoio dell'acqua e rabboccarlo direttamente. Successivamente, ricollocare il serbatoio dell'acqua sulla base principale.
- Verificare che la tensione nominale corrisponda alla tensione di ingresso e inserire la spina nella presa. L'umidificatore entrerà in modalità standby.
- Toccare il pulsante ON/OFF, se il serbatoio dell'acqua è vuoto, il pulsante sarà rosso. Toccare nuovamente il pulsante per spegnere l'umidificatore.
- Se l'acqua presente nel serbatoio dell'acqua è sufficiente e si preme il pulsante, l'umidificatore funziona alla velocità più bassa e il pulsante sarà di colore viola. Toccando nuovamente il pulsante, l'umidificatore aumenta la velocità e il pulsante diventa verde. Al terzo tocco, l'umidificatore si avvia alla massima velocità e il pulsante diventa blu. Premere di nuovo il pulsante per spegnere l'umidificatore. Sono disponibili 3 velocità in totale.
- Ogni volta che si tocca il pulsante, viene emesso un segnale acustico. Quando il serbatoio dell'acqua è vuoto, l'umidificatore emette 3 segnali acustici di avvertenza, il pulsante diventa rosso e l'umidificatore si arresta. Riempire il serbatoio dell'acqua, toccare il pulsante e il serbatoio si riavvierà.
- Quando l'umidificatore è acceso, non sollevare il serbatoio dell'acqua dalla base principale, in caso contrario l'umidificatore si spegnerà. Quando si reinsertisce il serbatoio dell'acqua, l'umidificatore funziona nella modalità precedente.

RISOLUZIONE DEI PROBLEMI

Problema	Possibili cause	Soluzione
La spia di alimentazione è spenta quando l'apparecchio viene acceso.	L'umidificatore non è collegato.	Collegare l'umidificatore a una presa elettrica alimentata.
	Il cavo di alimentazione è danneggiato.	Interrompere immediatamente l'uso e contattare l'Assistenza clienti.
	Umidificatore difettoso o malfunzionante.	Premere il pulsante di accensione per accenderlo.
La spia di alimentazione è accesa quando l'apparecchio è acceso, ma non fuoriesce la nebulizzazione.	L'umidificatore non è acceso.	Premere il pulsante di accensione per accenderlo.
	È stata raggiunta l'umidità target.	Aumentare l'umidità target o cambiare modalità.
L'indicatore di mancanza d'acqua è acceso.	Acqua assente nel serbatoio.	Rabboccare il serbatoio dell'acqua, attendere almeno 1 minuto.
	Livello dell'acqua basso.	Attendere almeno 1 minuto.
	Il livello dell'acqua necessario non ha ancora raggiunto il vano di vaporizzazione.	Attendere almeno 1 minuto.
	Il serbatoio dell'acqua non è posizionato correttamente.	Controllare il posizionamento del serbatoio sulla base.
	L'umidificatore non si trova su una superficie piana	Controllare il posizionamento dell'umidificatore.
L'umidificatore produce un odore insolito	L'umidificatore è nuovo.	Estrarre il serbatoio dell'acqua, aprire il coperchio e lasciarlo raffreddare per 12 ore.
	Acqua sporca o acqua ristagnante troppo a lungo.	Pulire il serbatoio dell'acqua, riempire con acqua pulita.
	Odore residuo dovuto alla diffusione di olio aromatico sul cotone aromatizzato.	Rimuovere il cotone aromatizzato, risciacquarlo con acqua pulita e lasciarlo asciugare.

L'umidificatore emette un suono forte o insolito.	Il serbatoio dell'acqua risuona quando il livello di acqua è troppo basso.	Riempire il serbatoio dell'acqua.
	L'umidificatore si trova su una superficie instabile.	Spostare l'umidificatore su una superficie piana e stabile.
	Il serbatoio dell'acqua non è posizionato correttamente.	Spegnere e scollegare l'umidificatore, quindi allineare il coperchio del serbatoio dell'acqua con la rispettiva apertura nella camera interna.
	L'umidificatore non funziona correttamente.	Interrompere immediatamente l'uso e contattare l'Assistenza clienti.
Capacità di umidificazione troppo bassa.	Nella stanza è presente un ricambio d'aria naturale o artificiale che interferisce con l'aumento % di UR.	Controllare se le porte e le finestre sono chiuse. Verificare che nella stanza non sia in funzione il climatizzatore.
	Le griglie di ingresso dell'aria e l'ugello potrebbero essere ostruiti.	Rimuovere eventuali oggetti che bloccano le griglie e l'ugello.
	Troppe incrostazioni nella vaschetta dell'acqua.	Pulire il trasduttore.
	Il tasso di umidità selezionato è troppo basso.	Aumentare la velocità di uscita della nebulizzazione. Aumentare il tasso di umidità impostato.
	L'acqua è troppo sporca o è rimasta troppo a lungo nel serbatoio.	Pulire il serbatoio dell'acqua, sostituire con acqua pulita.
C'è condensa nella stanza.	La temperatura ambiente è troppo bassa.	Riscaldare la stanza.
La nebulizzazione smette improvvisamente di fuoriuscire.	L'indicatore di mancanza d'acqua è acceso.	Riempire il serbatoio dell'acqua.

Il pulsante di comando non funziona	Le mani sono troppo bagnate quando si utilizza il pannello di controllo.	Assicurarsi di avere le mani asciutte durante l'uso del pannello di controllo.
	L'umidificatore non funziona correttamente.	Contattare l'Assistenza clienti.
Appare della polvere bianca intorno all'umidificatore.	L'acqua utilizzata ha un elevato contenuto di minerali.	Utilizzare acqua distillata nell'umidificatore. Se non è disponibile acqua distillata, utilizzare acqua purificata o filtrata.
	L'umidificatore non è stato pulito correttamente dopo l'ultimo utilizzo.	Pulire l'umidificatore.
La nebulizzazione fuoriesce dalla base.	Il serbatoio dell'acqua non è posizionato correttamente.	Spegner e scollegare l'umidificatore, quindi allineare il coperchio del serbatoio dell'acqua con la rispettiva apertura nella camera interna.
La nebulizzazione fuoriesce dai bordi dell'ugello.	Sono presenti aperture tra l'ugello e il serbatoio dell'acqua.	Riposizionare il coperchio e controllare che l'ugello sia ben inserito.

I seguenti scenari non rappresentano un funzionamento difettoso:

- Se l'acqua è molto dura (contenente livelli di minerali insolitamente elevati), l'umidificatore può produrre polvere bianca. Questo fattore non costituisce un malfunzionamento. La soluzione consiste nel pulire il filtro più spesso o utilizzare acqua più dolce.
- Se ci si trova molto vicino all'umidificatore, si sentirà il gorgoglio dell'acqua. Questo rumore è normale.
- L'umidificatore produce poco rumore, ma non è completamente silenzioso. Livelli di rumore inferiori a 35dB(A) sono considerati normali.

MANUTENZIONE

Se l'acqua è dura, ovvero contiene troppo calcio e magnesio, può causare un problema di "polvere bianca" e lasciare incrostazioni notevoli sulla superficie della vaschetta, del trasduttore e sulla superficie interna del serbatoio dell'acqua. Le incrostazioni sulla superficie del trasduttore compromettono il corretto funzionamento dell'umidificatore.

Utilizzare acqua bollita fredda o acqua distillata.

Svuotare il serbatoio e riempirlo ogni tre giorni. Prima del riempimento, pulirlo con acqua corrente pulita o con detergenti, se richiesto dal produttore. Rimuovere eventuali incrostazioni, depositi o pellicole che si sono formati sui lati del serbatoio o sulle superfici interne e asciugare tutte le superfici.

Svuotare e pulire l'umidificatore prima di riporlo. Pulire l'umidificatore prima del successivo utilizzo.

PULIZIA DEL TRASDUTTORE

- In caso di incrostazioni, pulire con acqua pulita contenente acido citrico.
- Spazzolare via le incrostazioni dalla superficie.
- Risciacquare il trasduttore con acqua pulita.

COME PULIRE LA VASCHETTA

- Pulire la vaschetta dell'acqua con un panno morbido o utilizzare acido citrico in caso di incrostazioni.
- Se le incrostazioni coprono l'interruttore di sicurezza, versare acido citrico su di esso e lasciarlo agire per 2-5 minuti, quindi pulire con una spazzola.
- Risciacquare il serbatoio dell'acqua con acqua pulita.

COME PULIRE IL FILTRO IN CERAMICA

- Pulire e attivare la sfera di ceramica dopo aver utilizzato 1.000 l di acqua. A seconda della qualità dell'acqua. Se la sfera di ceramica è sporca, pulirla con maggiore frequenza.
- Può essere immerso in aceto per 5 minuti e poi risciacquato con acqua.
- Lasciare asciugare il filtro al sole per 4-6 ore.



GARANZIA

Wilfa rilascia una garanzia di 5 anni su questo prodotto a partire dal giorno dell'acquisto. La garanzia copre i guasti o i difetti di produzione che si verificano durante il periodo di garanzia. La ricevuta d'acquisto funge da prova nei confronti del rivenditore in caso di richiesta di garanzia.

La garanzia è valida solo per i prodotti acquistati e utilizzati in ambiente domestico. La garanzia non è valida se il prodotto viene utilizzato per scopi commerciali. La garanzia non è valida se il prodotto viene utilizzato in modo improprio o negligente, se le istruzioni fornite da Wilfa non vengono rispettate, se viene modificato o se viene effettuata una riparazione non autorizzata. La garanzia non è valida anche in caso di normale usura del prodotto, uso improprio, mancanza di manutenzione, uso di tensioni elettriche errate o:

- Decalcificazione effettuata in maniera non conforme al manuale di istruzioni
- Sovraccarico del prodotto
- Parti normalmente usurate
- Componenti di cui si prevede la regolare sostituzione (ad es. filtro, batteria, ecc.)

SPECIFICHE DEL PRODOTTO

220 V~240 V~50/60 Hz

4L

300ml/H

ASSISTENZA E RICAMBI

Per ricevere assistenza, visitare il sito **wilfa.com** e consultare la nostra pagina dedicata all'assistenza clienti. In questa sezione è possibile trovare domande frequenti, ricambi, consigli, suggerimenti e tutte le nostre informazioni di contatto.

RICICLABILITÀ



Questo marchio indica che il prodotto non deve essere smaltito insieme ad altri rifiuti domestici nell'intera area UE. Al fine di evitare possibili danni all'ambiente o alla salute umana derivanti dallo smaltimento incontrollato dei rifiuti, riciclare in modo responsabile allo scopo di promuovere il riutilizzo sostenibile delle risorse materiali. Per restituire un dispositivo dismesso, servirsi dei sistemi di restituzione e raccolta o contattare il rivenditore presso il quale è stato acquistato il prodotto. Questo prodotto può essere smaltito presso un centro di riciclaggio ecologico gratuito.

ES

CONTENIDO

164	INSTRUCCIONES DE SEGURIDAD IMPORTANTES
169	VISTA GENERAL DEL PRODUCTO
170	ANTES DE SU USO
171	USO
172	SOLUCIÓN DE PROBLEMAS
175	MANTENIMIENTO
176	GARANTÍA
177	ESPECIFICACIONES DEL PRODUCTO
177	ASISTENCIA Y REPUESTOS
177	RECICLADO

ES

INSTRUCCIONES DE SEGURIDAD IMPORTANTES

- Siga todas las precauciones de seguridad que se indican a continuación para garantizar la seguridad y reducir el riesgo de lesiones o descarga eléctrica.
- Este humidificador puede ser utilizado por niños a partir de ocho años y por personas con facultades físicas, sensoriales o mentales reducidas o sin experiencia ni conocimiento, si lo hacen bajo supervisión o se les ha instruido adecuadamente para hacerlo de un modo seguro y comprenden los riesgos que entraña su uso. Los niños no deben jugar con el humidificador. La limpieza y el mantenimiento no deben ser realizados por niños sin supervisión.
- Antes de usar este humidificador, asegúrese de que la tensión del suministro eléctrico sea la misma que la indicada en la placa de características del humidificador.
- Coloque siempre el humidificador sobre una superficie dura, plana y nivelada. Evite la exposición a la luz solar directa y manténgalo siempre alejado de paredes y fuentes de calor como estufas, radiadores, etc. **Advertencia:** Es posible que el humidificador no funcione correctamente si no está colocado en una superficie nivelada.
- No inserte ni retire el enchufe eléctrico del humidificador con las manos mojadas.

- Si el cable de alimentación está dañado, deberá sustituirlo el fabricante, su servicio técnico o una persona debidamente cualificada con el fin de evitar riesgos innecesarios.
- Para reducir el riesgo de descargas eléctricas, no quite los tornillos. El humidificador no contiene piezas que puedan ser reparadas por el usuario. Confíe todas las tareas de mantenimiento a personal cualificado.
- Llene el depósito con agua limpia, destilada o desmineralizada. No eche ningún otro líquido en el depósito de agua o recipiente de agua. No ponga en funcionamiento el humidificador si no hay agua en el depósito o recipiente de agua.
- No agite el humidificador, ya que podría derramarse agua sobre la base del mismo.
- Nunca toque el agua ni los componentes mientras el humidificador esté en funcionamiento.
- Si percibe un olor inusual al utilizarlo tal y como se describe en este manual, apague el humidificador, desenchúfelo y entrégueselo a su distribuidor para que lo examine.
- No eche agua caliente en el depósito, es decir, a una temperatura superior a los 40 °C.

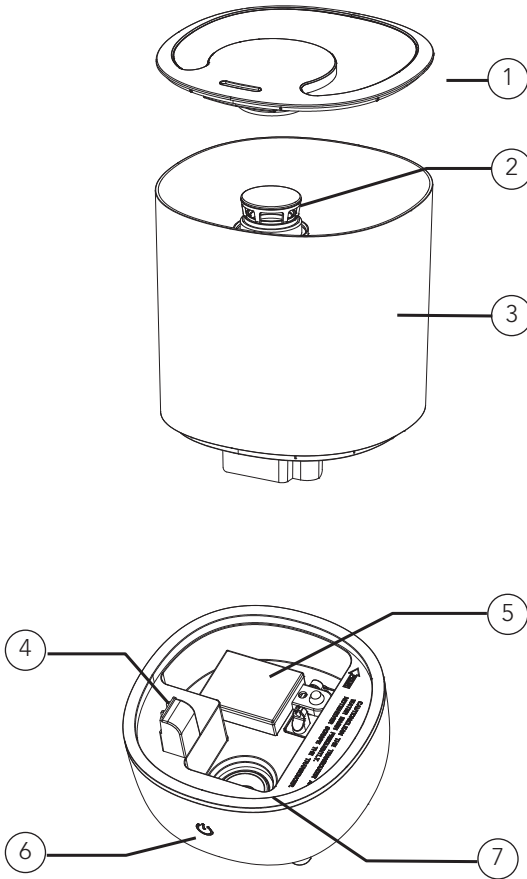
- No sumerja el humidificador, el cable de alimentación ni el enchufe en agua ni en ningún otro líquido.
- Nunca raspe el transductor con una herramienta dura. Deberá limpiar el humidificador regularmente. Para ello, consulte las instrucciones de limpieza que se incluyen en este manual.
- Si derrama algún líquido en el humidificador, podrá provocar graves daños. Apáguelo inmediatamente. Desconecte el enchufe de alimentación y consulte a su distribuidor.
- Desconecte el humidificador de la red eléctrica cuando no lo esté utilizando y antes de limpiarlo.
- Asegúrese de que el cable de alimentación no entre en contacto con ninguna superficie caliente ni cuelgue sobre el borde de una mesa.
- Nunca utilice este humidificador en una habitación en la que se utilicen aerosoles (esprays) ni en una habitación o un lugar donde se administre oxígeno.
- No ponga prendas de ropa ni toallas encima del humidificador. Si la boquilla está obstruida, podría provocar un funcionamiento incorrecto del humidificador.

- Cuando mueva el humidificador, levántelo sujetándolo por la base y no por el depósito de agua.
- No utilice el humidificador si el ambiente de la habitación ya está lo suficientemente húmedo.
- De hecho, el nivel de humedad relativa ideal para el bienestar de las personas está comprendido entre el 45 y el 65 %. El exceso de humedad se muestra en forma de condensación en superficies frías o paredes frías de la habitación. Para medir correctamente la humedad de la habitación, utilice un higrómetro disponible en la mayoría de las tiendas especializadas e hipermercados.
- Este producto se ha diseñado exclusivamente para un uso doméstico en interiores y no para un uso industrial o comercial.
- Desenchufe el aparato durante el llenado y la limpieza.
- No permita que la zona alrededor del humidificador se humedezca o moje. Si hay humedad, reduzca la salida del humidificador. Si el volumen de salida del humidificador no se puede bajar, utilice el humidificador de forma intermitente. No permita que materiales absorbentes, como moquetas y alfombras, cortinas, paños o manteles, se humedezcan.

- Nunca deje agua en el depósito cuando no se esté utilizando el aparato.
- Vacíe y limpie el humidificador antes de guardarlo. Limpie el humidificador antes del próximo uso.
- Los microorganismos que pueden estar presentes en el agua o en el entorno en el que se utiliza o se guarda el aparato pueden crecer en el depósito de agua y esparcirse en el aire, lo que provoca riesgos muy graves para la salud cuando no se renueva el agua y no se limpia correctamente el depósito cada tres días.
- Nunca deje agua en el depósito cuando no se esté utilizando el aparato.
- Limpie el agua cada tres días.



VISTA GENERAL DEL PRODUCTO



- 1. Tapa superior
- 2. Tapa para el vapor
- 3. Depósito de agua
- 4. Salida de aire

- 5. Flotador
- 6. Botón
- 7. PCI del transductor

ANTES DE SU USO

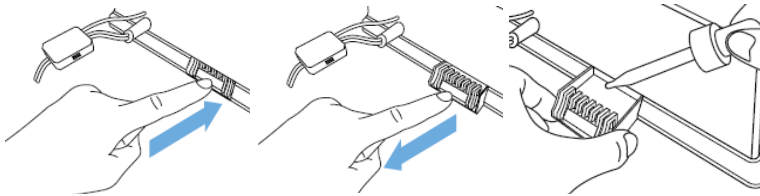
- Coloque el humidificador en la habitación 30 minutos antes de ponerlo en marcha.
- Se recomienda utilizar el humidificador cuando la temperatura sea inferior a 20 °C y la humedad relativa sea inferior al 80 %.
- Utilice agua limpia a no más de 40 °C.
- Compruebe el recipiente de agua y asegúrese de que esté limpio.
- Coloque el humidificador sobre una superficie plana.

FILTRO DE AGUA

- Las bolas de cerámica pueden ablandar el agua dura.
- El filtro cerámico puede eliminar el olor extraño del agua.

CAJA DE AROMA

1. Extraiga la caja de aroma de la base.
2. Utilice aceite aromático soluble en agua y déjelo caer sobre la esponja.
3. Vuelva a colocar la caja de aroma en el humidificador; la función de aroma permanecerá activada mientras el humidificador esté en funcionamiento.
4. Para detener la función de aroma o al almacenar el humidificador, limpie la esponja de la caja de aroma.
5. Vierta únicamente aceite aromático en algodón aromatizado. No eche ningún líquido que no sea agua limpia en el depósito o recipiente de agua.



USO

- Llene el depósito de agua con agua desde la tapa superior o extraiga el depósito de agua y llénelo de agua directamente. A continuación, vuelva a colocar el depósito de agua en la base principal.
- Asegúrese de que la tensión nominal coincide con la tensión de entrada y enchufe el aparato en la toma de corriente. El humidificador pasará al modo de espera.
- Pulse el botón de encendido/apagado. Si el depósito de agua está vacío, el botón se pondrá en rojo. Vuelva a pulsar el botón y el humidificador se apagará.
- Si hay suficiente agua en el depósito de agua y pulsa el botón, el humidificador funcionará a la velocidad más baja y el botón se pondrá de color morado. Si vuelve a pulsar el botón, el humidificador aumentará la velocidad y el botón se pondrá verde. Al realizar la tercera pulsación, el humidificador se pone en marcha a la velocidad más alta y el botón se pone azul. Pulse una vez más para apagar el humidificador. Hay un total de tres velocidades.
- Cada vez que pulse el botón, se emitirá un pitido. Cuando el depósito de agua esté vacío, el humidificador emitirá tres pitidos de advertencia, el botón se pondrá rojo y el humidificador dejará de funcionar. Vuelva a llenar el depósito de agua, pulse el botón y se reiniciará.
- Cuando el humidificador esté encendido, no levante el depósito de agua desde la base principal, ya que el aparato se apagará. Vuelva a colocar el depósito de agua y el humidificador funcionará en el modo anterior.

SOLUCIÓN DE PROBLEMAS

Problema	Posibles razones	Solución
La luz de alimentación no se ilumina cuando se enciende el aparato.	El humidificador no está enchufado.	Enchufe el humidificador en una toma de corriente.
	El cable de alimentación está dañado.	Deje inmediatamente de utilizar el aparato y póngase en contacto con el servicio de atención al cliente.
	El humidificador está defectuoso o no funciona correctamente.	Pulse el botón de alimentación para encenderlo.
La luz de alimentación se ilumina cuando se enciende el aparato, pero no sale vapor.	El humidificador no está encendido.	Pulse el botón de alimentación para encenderlo.
	Se ha alcanzado la humedad seleccionada.	Aumente la humedad seleccionada o cambie de modo.
Se ha encendido el indicador de falta de agua.	No hay agua en el depósito.	Llene el depósito de agua y espere al menos un minuto.
	El nivel de agua es bajo.	
	El nivel de agua necesario aún no ha llegado al compartimento de vaporización.	Espere al menos un minuto.
	El depósito de agua no está bien colocado.	Asegúrese de que el depósito esté colocado correctamente sobre la base.
	El humidificador no está sobre una superficie plana	Asegúrese de que el humidificador esté colocado correctamente.
El humidificador desprende un olor inusual.	El humidificador es nuevo.	Retire el depósito de agua, abra la tapa y déjelo durante 12 horas en un lugar fresco.
	El agua está sucia o lleva demasiado tiempo en el depósito.	Limpie el depósito de agua y llénelo con agua limpia.
	Olor residual de la difusión de aceite aromático en el algodón aromático.	Retire el algodón aromático, enjuáguelo con agua limpia y deje que se seque.

El humidificador emite un sonido fuerte o inusual.	Cuando hay muy poca agua en el depósito de agua, hace ruido.	Llene de agua el depósito de agua.
	El humidificador está colocado sobre una superficie inestable.	Coloque el humidificador sobre una superficie plana y estable.
	El depósito de agua está mal colocado.	Apague y desenchufe el humidificador y, a continuación, alinee la tapa del depósito de agua con su correspondiente abertura en la cámara interior.
	El humidificador no funciona correctamente.	Deje inmediatamente de utilizar el aparato y póngase en contacto con el servicio de atención al cliente.
La capacidad de humidificación es demasiado baja.	Hay una corriente de aire natural o artificial en la habitación que interfiere en el aumento del porcentaje de humedad relativa.	Compruebe si las puertas y las ventanas están cerradas. Asegúrese de que no esté funcionando un aparato de aire acondicionado en la habitación.
	Es posible que las rejillas de entrada de aire y la boquilla estén bloqueadas.	Retire cualquier elemento que pueda estar bloqueando las rejillas y la boquilla.
	Hay demasiada cal en el recipiente de agua.	Limpie el transductor.
	El índice de humedad seleccionado es demasiado bajo.	Aumente la velocidad de salida del vapor. Aumente la tasa de ajuste de la humedad.
	El agua está demasiado sucia o se ha dejado demasiado tiempo en el depósito.	Limpie el depósito de agua y llénelo con agua limpia.
	Hay condensación en la habitación.	La temperatura ambiente es demasiado baja.

De repente, deja de salir vapor.	Se ha encendido el indicador de falta de agua.	Llene el depósito de agua.
El botón de control no funciona.	Ha tocado el panel de control con las manos demasiado húmedas.	Mantenga las manos secas cuando toque el panel de control.
	El humidificador presenta un funcionamiento incorrecto.	Póngase en contacto con el servicio de atención al cliente.
Aparece polvo blanco alrededor del humidificador.	El agua utilizada tiene un alto contenido en minerales.	Utilice agua destilada con el humidificador. Si no dispone de agua destilada, utilice agua purificada o filtrada.
	El humidificador no se limpió correctamente después de su último uso.	Limpie el humidificador.
Sale vapor de la base.	El depósito de agua no está colocado correctamente.	Apague y desenchufe el humidificador y, a continuación, alinee la tapa del depósito de agua con su correspondiente abertura en la cámara interior.
Sale vapor alrededor de la boquilla.	Hay huecos entre la boquilla y el depósito de agua.	Vuelva a colocar la tapa y asegúrese de que la boquilla esté bien conectada a la tapa.

Los siguientes casos no se consideran funcionamientos anómalos:

- Si el agua es muy dura (con niveles anormalmente altos de minerales), el humidificador puede producir polvo blanco. No se trata de un funcionamiento incorrecto. La solución sería limpiar el filtro más a menudo o utilizar agua más blanda.
- Si se coloca muy cerca del humidificador, escuchará el sonido de gorgoteo del agua. Se trata de algo normal.
- El humidificador funciona de forma muy silenciosa, pero no es completamente silencioso. Los niveles de ruido inferiores a 35 dB(A) se consideran normales.

MANTENIMIENTO

Si el agua es dura (es decir, si contiene demasiado calcio y magnesio), puede provocar un problema de «polvo blanco» y dejar gruesas capas de cal en la superficie del recipiente de agua, el transductor y la superficie interna del depósito de agua. Las manchas de cal en la superficie del transductor provocarán un funcionamiento incorrecto del humidificador.

Utilice agua destilada o agua hervida fría.

Vacíe el depósito y llénelo cada tres días. Antes de llenarlo, límpielo con agua limpia del grifo o con productos de limpieza si así lo indica el fabricante. Elimine cualquier depósito, película o mancha de cal que se haya formado en las paredes del depósito o en las superficies internas y seque todas las superficies.

Vacíe y limpie el humidificador antes de guardarlo. Limpie el humidificador antes del próximo uso.

CÓMO LIMPIAR EL TRANSDUCTOR

- Limpie con agua limpia y ácido cítrico diluido si presenta incrustaciones.
- Cepille las incrustaciones de la superficie.
- Enjuague el transductor con agua limpia.

CÓMO LIMPIAR EL DEPÓSITO

- Limpie el recipiente de agua con un paño suave o utilice ácido cítrico si tiene alguna incrustación.
- Si la incrustación cubre el interruptor de seguridad, ponga unas gotas de ácido cítrico encima, deje reposar durante 2-5 minutos y limpie con un cepillo.
- Enjuague el depósito de agua con agua limpia.

LIMPIEZA DEL FILTRO CERÁMICO

- Limpie y active la bola de cerámica después de utilizar 1000 l de agua. En función de la calidad del agua. Si la bola de cerámica está sucia, debe limpiarse con mayor frecuencia.
- Se puede mojar en vinagre durante 5 minutos y, a continuación, enjuagar con agua.
- Ponga el filtro bajo el sol durante 4-6 horas para que se seque.



GARANTÍA

Wilfa ofrece una garantía de 5 años para este producto desde el día de la compra. La garantía cubre los fallos o los defectos de fabricación que surjan durante el periodo de garantía. Su recibo de compra sirve de prueba para el minorista en caso de reclamación de la garantía.

La garantía solo es válida para productos comprados y utilizados en el hogar. La garantía perderá su validez si el producto se utiliza comercialmente. La garantía perderá su validez si se hace un mal uso del producto, se utiliza de forma negligente, no se siguen las instrucciones de Wilfa, se modifica o se realizan reparaciones no autorizadas. La garantía tampoco cubre el desgaste normal del producto, si se hace un mal uso del producto, la falta de mantenimiento, o el uso de una tensión eléctrica incorrecta o en caso de:

- No descalcificado según el manual de instrucciones
- Sobrecarga del producto
- Piezas que se desgastan normalmente
- Piezas que se deben sustituir con regularidad (por ejemplo, filtro, batería, etc.)

ESPECIFICACIONES DEL PRODUCTO

220 V~240 V~50/60 Hz

4L

300ml/H

ASISTENCIA Y REPUESTOS

Si necesita asistencia, visite **wilfa.com** y consulte nuestra página de asistencia/atención al cliente. Aquí encontrará preguntas frecuentes, repuestos, consejos y trucos, así como nuestra información de contacto.

RECICLADO



Esta marca indica que el producto no debe eliminarse junto con otros residuos domésticos en toda la UE. Para evitar posibles daños en el medio ambiente o la salud por la eliminación incontrolada de residuos, recicle de forma responsable para fomentar la reutilización sostenible de los recursos materiales. Para devolver el producto usado, utilice los sistemas de devolución y recogida o póngase en contacto con el distribuidor donde lo adquirió. Ellos podrán llevar este producto a un punto de reciclaje seguro para el medio ambiente de forma gratuita.

СОДЕРЖАНИЕ

- 180 ВАЖНЫЕ УКАЗАНИЯ ПО БЕЗОПАСНОСТИ
- 185 ОБЗОР ИЗДЕЛИЙ
- 186 ПЕРЕД ИСПОЛЬЗОВАНИЕМ
- 187 ЭКСПЛУАТАЦИЯ
- 188 УСТРАНЕНИЕ НЕИСПРАВНОСТЕЙ
- 191 ТЕХНИЧЕСКОЕ ОБСЛУЖИВАНИЕ
- 192 ГАРАНТИЯ
- 193 ТЕХНИЧЕСКИЕ ХАРАКТЕРИСТИКИ ИЗДЕЛИЯ
- 193 ПОДДЕРЖКА И ЗАПАСНЫЕ ЧАСТИ
- 193 ПРИГОДНОСТЬ К ПЕРЕРАБОТКЕ

ВАЖНЫЕ УКАЗАНИЯ ПО БЕЗОПАСНОСТИ

- Для обеспечения безопасности и снижения риска получения травм или поражения электрическим током соблюдайте все перечисленные ниже меры предосторожности.
- Этим увлажнителем воздуха могут пользоваться дети старше 8 лет, люди с ограниченными физическими, сенсорными или умственными способностями, а также лица, не обладающие необходимым опытом и знаниями, если они находятся под присмотром или были проинструктированы относительно безопасного использования увлажнителя воздуха и понимают опасности, связанные с его эксплуатацией. Детям запрещено играть с увлажнителем воздуха. Детям запрещено осуществлять очистку и обслуживание устройства без присмотра взрослых.
- Перед использованием данного увлажнителя воздуха убедитесь, что напряжение в вашей электросети соответствует значению, указанному на паспортной табличке устройства.
- Всегда устанавливайте увлажнитель воздуха на твердую, плоскую и ровную поверхность. Не подвергайте его воздействию прямых солнечных лучей и всегда держите подальше от стен и источников тепла, таких как кухонные плиты, радиаторы и т. д. **Предупреждение!**

Увлажнитель воздуха может работать неправильно, если он не установлен на ровной поверхности.

- Не вставляйте и не вынимайте штепсельную вилку увлажнителя воздуха мокрыми руками.
- Во избежание опасности в случае повреждения сетевого кабеля его замена должна осуществляться производителем, его сервисным агентом или аналогичным квалифицированным специалистом.
- Для снижения риска поражения электрическим током не выкручивайте винты. В увлажнителе воздуха нет деталей, обслуживаемых пользователем. Все работы по техническому обслуживанию должны выполняться квалифицированным персоналом.
- Наполните бак пресной, дистиллированной или деминерализованной водой. Не добавляйте никакой другой жидкости в бак или резервуар для воды. Не включайте увлажнитель воздуха, если в баке или резервуаре нет воды.
- Не трясите увлажнитель воздуха, так как в результате этого вода может протечь в основание устройства.
- Никогда не прикасайтесь к воде или компонентам во время работы увлажнителя воздуха.

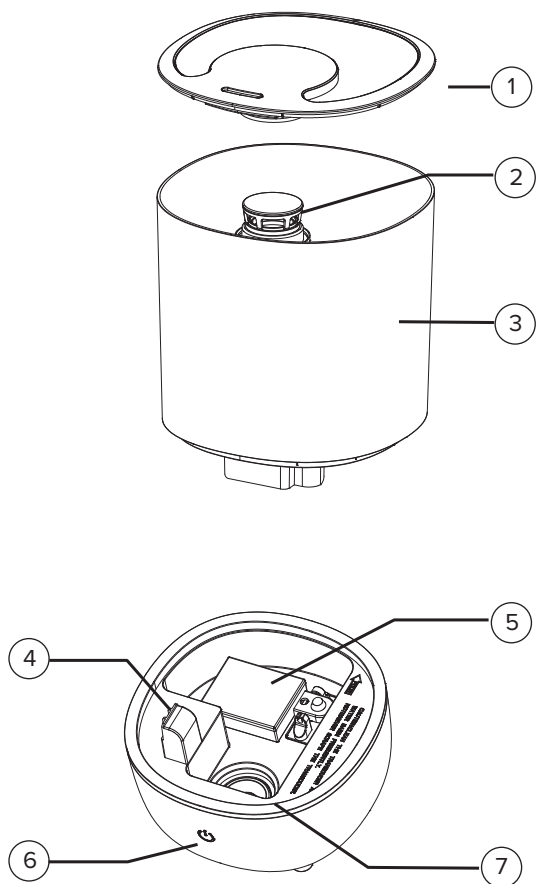
- При появлении в ходе эксплуатации необычных запахов, описанных в настоящем руководстве, выключите увлажнитель, выньте сетевую розетку и обратитесь к вашему дилеру для проверки.
- Не наливайте в бак горячую (свыше 40 °C) воду.
- Не погружайте увлажнитель воздуха, сетевой кабель или вилку в воду или другие жидкости.
- Никогда не очищайте датчик твердосплавным инструментом. Необходимо регулярно очищать увлажнитель воздуха. Инструкции по очистке см. в настоящем руководстве.
- Попадание в увлажнитель воздуха какой-либо жидкости может привести к серьезным повреждениям. Немедленно отключите его от сети. Выньте вилку из розетки и обратитесь к вашему дилеру.
- Отключайте увлажнитель воздуха от сети, когда он не используется и перед очисткой.
- Убедитесь, что сетевой кабель не соприкасается с горячей поверхностью и не свисает с края стола.
- Никогда не используйте данный увлажнитель воздуха в помещениях, где используются аэрозоли (спреи), или в помещениях с контролируемой подачей кислорода.

- Не кладите на увлажнитель воздуха предметы одежды или полотенца. Забитое сопло может привести к нарушению работы увлажнителя воздуха.
- При перемещении увлажнителя воздуха поднимайте его за основание, а не за бак для воды.
- Не используйте увлажнитель воздуха, если воздух в помещении уже достаточно влажный.
- Комфортный для человека уровень относительной влажности в идеале составляет от 45 до 65 %. Признаком избыточной влажности является появление конденсата на холодных поверхностях или холодных стенах в помещении. Для правильного измерения влажности воздуха в помещении используйте гигрометр, который можно приобрести в большинстве специализированных магазинов и гипермаркетов.
- Данное изделие предназначено только для применения внутри помещений в непромышленных, некоммерческих и бытовых целях.
- Во время заполнения и очистки отключайте устройство от сети.

- Не допускайте, чтобы участок вокруг увлажнителя воздуха был влажным или мокрым. Если возникает влажность, уменьшите мощность увлажнителя воздуха. Если мощность увлажнителя воздуха нельзя уменьшить, используйте увлажнитель с перерывами. Не допускайте намокания впитывающих материалов, таких как ковровые покрытия, шторы, простыни или скатерти.
- Никогда не оставляйте воду в баке, когда устройство не используется.
- Опустошайте и очищайте увлажнитель воздуха перед хранением. Очистите увлажнитель перед следующим использованием.
- Если воду не обновлять, а бак не очищать надлежащим образом раз в 3 дня, в баке с водой могут разрастаться и впоследствии выдваться в воздух микроорганизмы, которые могут присутствовать в воде или окружающей среде, где используется или хранится прибор, тем создавая очень серьезные риски для здоровья.
- Никогда не оставляйте воду в баке, когда устройство не используется.
- **Очищайте воду раз в три дня.**



ОБЗОР ИЗДЕЛИЙ



- | | | | |
|----|------------------------|----|-----------------------|
| 1. | Верхняя крышка | 5. | Буй |
| 2. | Противотуманная крышка | 6. | Кнопка |
| 3. | Бак для воды | 7. | Плата преобразователя |
| 4. | Выпуск воздуха | | |

ПЕРЕД ИСПОЛЬЗОВАНИЕМ

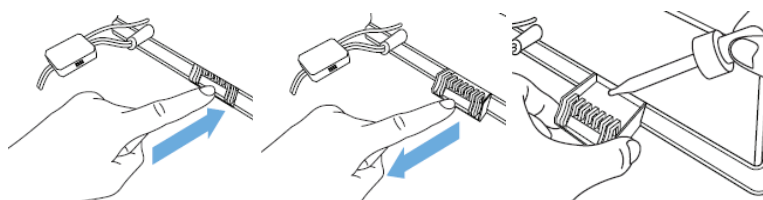
- Поместите увлажнитель воздуха в помещение за 30 минут до запуска.
- Рекомендуется использовать увлажнитель воздуха при температуре ниже 20 °C и относительной влажности ниже 80 %.
- Используйте чистую воду, температура которой не превышает 40 °C.
- Проверьте резервуар для воды, убедитесь, что он чистый.
- Установите увлажнитель на плоскую поверхность.

ФИЛЬТР ДЛЯ ВОДЫ

- Керамические шарики могут размягчать жесткую воду.
- Керамический фильтр может устранять неприятный запах воды.

АРОМАТИЧЕСКАЯ КАМЕРА

1. Выдавите ароматическую камеру из основы.
2. Нанесите на губку растворимое в воде ароматическое масло.
3. Установите ароматическую камеру обратно в увлажнитель воздуха, функция ароматизации будет оставаться включенной, когда увлажнитель работает.
4. Чтобы отключить функцию ароматизации или убрать увлажнитель воздуха на хранение, очистите губку в ароматической камере.
5. Капайте ароматическое масло только в ароматический хлопок. Не проливайте в бак или резервуар для воды никакие жидкости, кроме чистой воды.



ЭКСПЛУАТАЦИЯ

- Заливайте воду в бак для воды через верхнюю крышку. Или выньте бак для воды и заливайте воду прямо в него. После этого установите бак для воды обратно на место.
- Убедитесь, что номинальное напряжение соответствует входному напряжению, и вставьте штекер в розетку. Увлажнитель воздуха перейдет в режим ожидания.
- Нажмите кнопку ВКЛ./ВЫКЛ. (ON/OFF); если бак для воды пуст, кнопка будет красной. Нажмите кнопку еще раз, и увлажнитель воздуха выключится.
- Если в баке для воды достаточно воды, и вы нажимаете кнопку, увлажнитель воздуха работает на самой низкой скорости, а кнопка отображается фиолетовым цветом. При повторном нажатии кнопки увлажнитель воздуха увеличит скорость, а кнопка станет зеленой. При третьем прикосновении увлажнитель запускается на самой высокой скорости, и кнопка становится синей. Нажмите кнопку еще один раз для отключения увлажнителя воздуха. Всего имеется 3 скорости.
- При каждом нажатии кнопки она издает звуковой сигнал. Если бак для воды опустеет, увлажнитель воздуха издаст 3 звуковых сигнала в качестве предупреждения, кнопка станет красной, и устройство прекратит работать. Для перезапуска устройства наполните бак для воды и нажмите кнопку.
- Когда увлажнитель воздуха включен, не снимайте бак для воды с главного основания - это приведет к отключению устройства. Установите бак для воды на место, и увлажнитель воздуха будет работать в предыдущем режиме.

УСТРАНЕНИЕ НЕИСПРАВНОСТЕЙ

Проблема	Возможные причины	Решения
При включении питания не загорается лампа питания.	Увлажнитель воздуха не подключен к сети.	Вставьте штекер устройства в электророзетку.
	Поврежден сетевой шнур.	Немедленно прекратите использование и обратитесь в службу поддержки клиентов.
	Увлажнитель воздуха неисправен.	Нажмите кнопку питания, чтобы его включить.
При включении загорается лампа питания, но туман не выходит.	Увлажнитель воздуха не включается.	Нажмите кнопку питания, чтобы его включить.
	Достигнута заданная влажность.	Увеличьте заданную влажность или измените режим.
Загорается индикатор недостаточного количества воды.	В баке нет воды.	Наполните бак для воды, подождите, как минимум, 1 минуту.
	Низкий уровень воды.	
	Требуемый уровень воды еще не достиг отсека для парообразования.	Подождите, как минимум, 1 минуту.
	Бак для воды установлен неправильно.	Проверьте положение бака на основании.
	Увлажнитель воздуха находится не на плоской поверхности	Проверьте расположение увлажнителя воздуха.
От увлажнителя воздуха исходит необычный запах	Увлажнитель - новый.	Извлеките бак для воды, откройте крышку, оставьте его в прохладном месте на 12 часов.
	Грязная или застоявшаяся вода.	Почистите бак для воды, наполните чистой водой.
	Остаточный запах от ароматического масла на ароматическом хлопке.	Снимите ароматический хлопок, промойте его чистой водой и дайте высохнуть.

Увлажнитель воздуха издает громкий или необычный звук.	Резонанс в баке для воды, если уровень воды слишком низкий.	Налейте воду в бак для воды.
	Увлажнитель воздуха находится на неустойчивой поверхности.	Переместите увлажнитель воздуха на устойчивую плоскую поверхность.
	Бак для воды установлен неправильно.	Отключите увлажнитель воздуха, отсоедините его от сети, а затем совместите крышку бака для воды с соответствующим отверстием во внутренней камере.
	Увлажнитель воздуха неисправен.	Немедленно прекратите использование и обратитесь в службу поддержки клиентов.
Слишком низкая производительность по увлажнению.	В помещении имеется естественная или искусственная подпитка воздуха, которая препятствует повышению относительной влажности воздуха.	Проверьте, закрыты ли двери и окна. Проверьте, не работает ли в помещении кондиционер.
	Могут быть забиты решетки вентиляционных отверстий и сопло.	Удалите все предметы, которые забивают решетки и сопло.
	Слишком много накипи в резервуаре для воды.	Очистите преобразователь.
	Выбранное влагосодержание слишком низкое.	Увеличьте скорость выхода тумана. Увеличьте заданное значение влажности.
	Вода слишком грязная или находится в баке слишком долго.	Очистите бак для воды, замените воду на чистую и свежую.
	В помещении имеется конденсат.	Слишком низкая температура в помещении.

Туман неожиданно прекращает выходить.	Загорается индикатор недостаточного количества воды.	Наполните бак для воды.
Кнопка управления не работает	Слишком мокрые руки для работы с панелью управления.	Во время работы с панелью управления руки должны быть сухими.
	Увлажнитель воздуха неисправен.	Обратитесь в службу поддержки клиентов.
Вокруг увлажнителя воздуха образуется белая пыль.	Используется вода с высоким содержанием минералов.	Используйте с увлажнителем дистиллированную воду. Если дистиллированной воды нет, используйте очищенную или отфильтрованную воду.
	После последнего использования увлажнитель воздуха не был очищен надлежащим образом.	Очистите увлажнитель воздуха.
Из основания выходит туман.	Бак для воды расположен неправильно.	Отключите увлажнитель воздуха, отсоедините его от сети, а затем совместите крышку бака для воды с соответствующим отверстием во внутренней камере.
Легкий туман выходит со всех сторон сопла.	Между соплом и баком для воды имеются отверстия.	Установите крышку на место и проверьте, хорошо ли закрыто сопло в крышке.

Нижеследующее не считается неполадками в работе:

- Если вода очень жесткая (с аномально высоким содержанием минералов), увлажнитель воздуха может образовывать белую пыль. Это не является неисправностью. Решением является более частая очистка фильтра или использование более мягкой воды.
- Если стоять очень близко к увлажнителю воздуха, слышится булькающий звук воды. Это нормально.
- Увлажнитель воздуха работает очень тихо, но не полностью бесшумно. Уровень шума менее 35 дБ(А) считается нормальным.

ТЕХНИЧЕСКОЕ ОБСЛУЖИВАНИЕ

Если вода жесткая, это означает, что вода содержит слишком много кальция и магния, что может вызвать проблему «белого порошка» и оставить плотную накипь на поверхности резервуара для воды, преобразователя и внутренней поверхности бака для воды. Накипь на поверхности преобразователя приведет к неправильной работе увлажнителя воздуха.

Используйте холодную кипяченую или дистиллированную воду.

Опустошайте и наполняйте бак каждые три дня. Перед повторным наполнением мойте его пресной водопроводной водой или чистите чистящими средствами, если этого требует производитель. Удаляйте накипь, пленку или отложения, образовавшиеся на стенках бака или на внутренних поверхностях, и насухо протирайте все поверхности.

Опустошайте и очищайте увлажнитель воздуха перед хранением. Очистите увлажнитель перед следующим использованием.

ПОРЯДОК ОЧИСТКИ ПРЕОБРАЗОВАТЕЛЯ:

- При наличии на нем накипи промойте чистой водой с лимонной кислотой.
- Счистите щеткой накипь с поверхности.
- Ополосните преобразователь чистой водой.

ПОРЯДОК ОЧИСТКИ РЕЗЕРВУАРА УВЛАЖНИТЕЛЯ ВОЗДУХА:

- Очистите резервуар для воды мягкой тканью или используйте лимонную кислоту при наличии в нем накипи.
- Если накипь образовалась на аварийном выключателе, налейте на накипь лимонной кислоты на 2-5 минут и счистите ее щеткой.
- Промойте бак чистой водой.

ПОРЯДОК ОЧИСТКИ КЕРАМИЧЕСКОГО ФИЛЬТРА:

- Очищайте и активируйте керамический шарик после использования 1000 л воды. В зависимости от качества воды. Если керамический шарик грязный, его необходимо очищать чаще.
- Его можно погрузить в уксус на 5 минут, а затем промыть водой.
- Чтобы высушить фильтр, поместите его под солнце на 4-6 часов.



ГАРАНТИЯ

Компания Wilfa предоставляет 5-летнюю гарантию на данное изделие со дня покупки. Гарантия распространяется на эксплуатационные недостатки или дефекты, возникающие в течение гарантийного периода. Квитанция о покупке является доказательством при предъявлении гарантийных претензий продавцу.

Гарантия действует только в отношении изделий, купленных и используемых в частных хозяйствах. Коммерческое использование изделия аннулирует гарантию. Гарантия недействительна в случае неправильного или небрежного использования изделия, несоблюдения инструкций компании Wilfa, внесения изменений в конструкцию или выполнения несогласованного ремонта. Гарантия также не распространяется на нормальный износ изделия, неправильное использование, недостаточное обслуживание, использование при неподходящем электрическом напряжении, а также на:

- случаи удаления накипи не в соответствии с руководством по эксплуатации
- перегрузку изделия
- изнашиваемые детали
- на требующие регулярной замены детали (напр., фильтр, элементы питания и т. п.)

ТЕХНИЧЕСКИЕ ХАРАКТЕРИСТИКИ ИЗДЕЛИЯ

220 V~240 V~50/60 Hz

4L

300ml/H

ПОДДЕРЖКА И ЗАПАСНЫЕ ЧАСТИ

Для получения поддержки посетите наш веб-сайт **wilfa.com** и перейдите на страницу службы поддержки клиентов. Здесь приведены ответы на часто задаваемые вопросы, список запасных частей, советы и рекомендации, а также наша контактная информация.

ПРИГОДНОСТЬ К ПЕРЕРАБОТКЕ



Данная маркировка указывает на то, что в пределах ЕС изделие запрещается утилизировать вместе с другими бытовыми отходами. Во избежание возможного вреда окружающей среде и здоровью человека в результате неконтролируемой утилизации отходов ответственно подходите к переработке изделия, способствуя устойчивому повторному использованию материальных ресурсов. Для возврата использованного устройства воспользуйтесь сети пунктов раздельного сбора отходов или свяжитесь с конкретным продавцом изделия. Продавцы могут бесплатно утилизировать данное изделие без ущерба для окружающей среды.



BEYOND EXPECTATIONS

